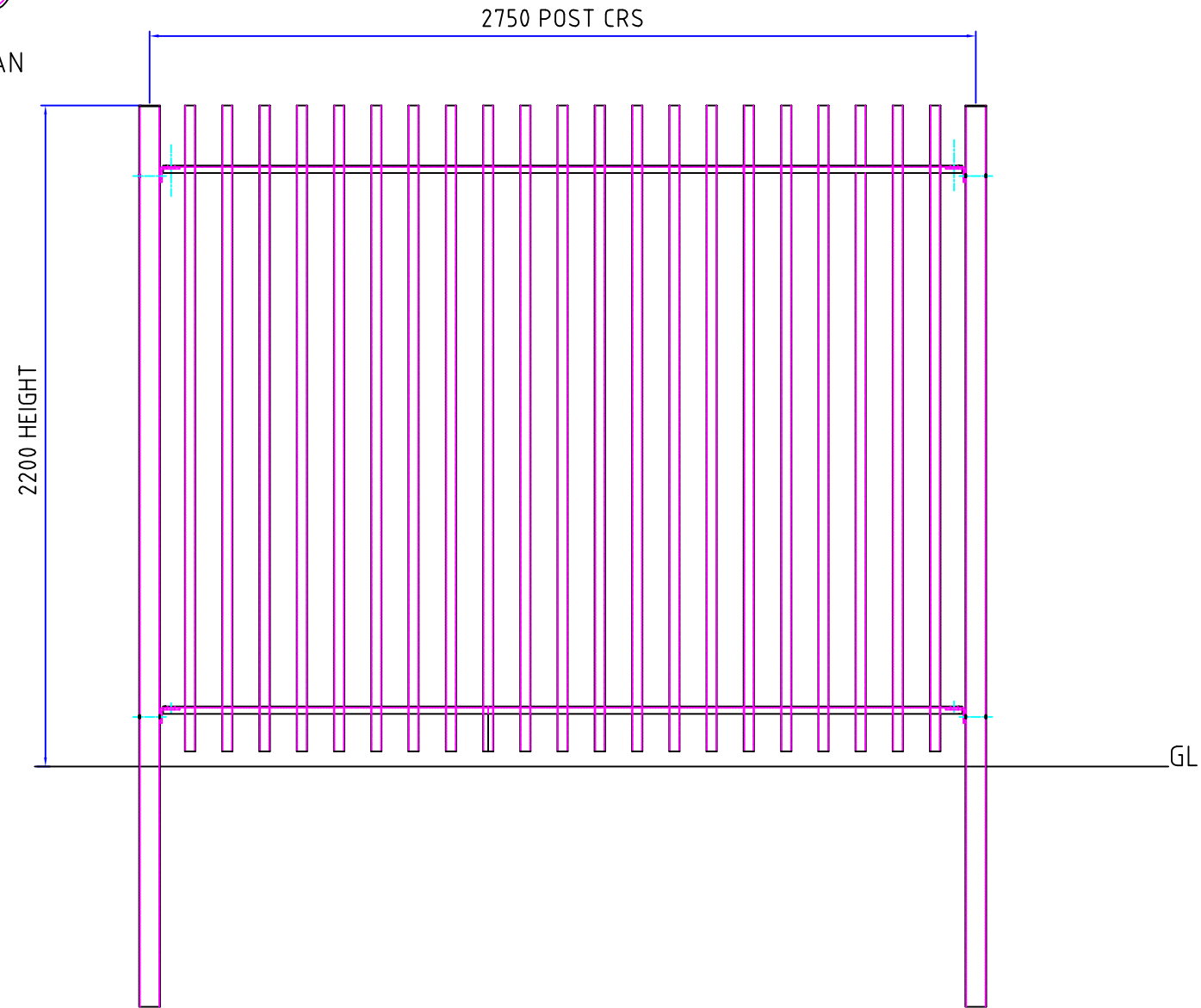
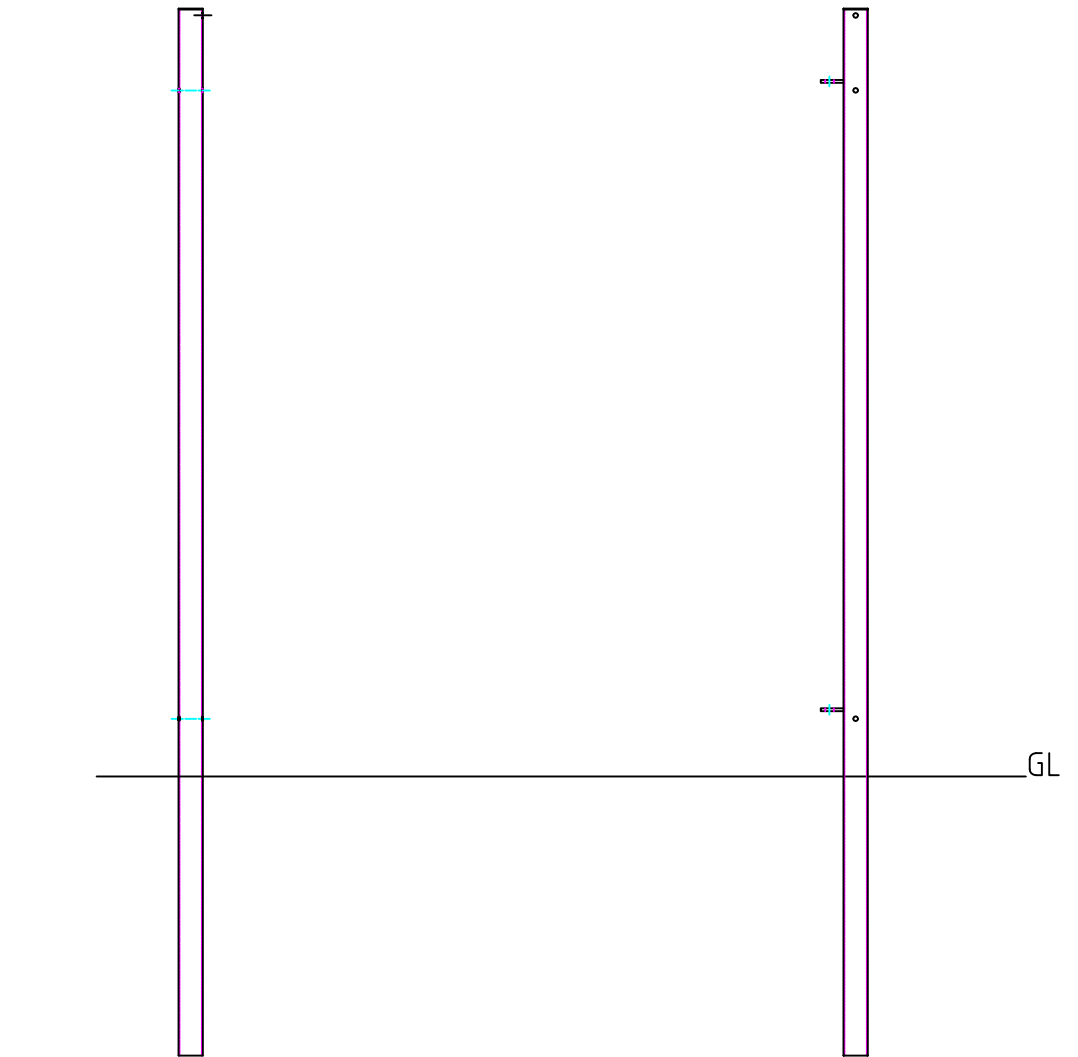
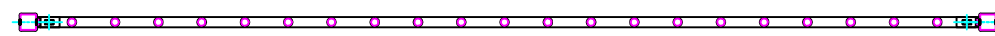


ALL DIMENSIONS SHOWN ARE SUBJECT TO MANUFACTURING TOLERANCES

ELEVATION
PLAN

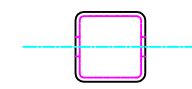


TYPICAL PANEL ELEVATION

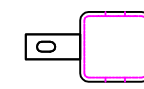


TYPICAL LOOSE CLEAT
POST ELEVATION

TYPICAL LOOSE CLEAT
POST ELEVATION



INTER POST PLAN



CLEATED/LUGGED CNR