



Allway®

Expansion Joint Covers



C/S ALLWAY® EXPANSION JOINT COVERS

FLEXIBLE FINISHING SOLUTIONS FOR BUILDING MOVEMENT

With over 40 years' experience of designing and manufacturing expansion joint covers, C/S offers the most comprehensive range in the world. We can support you at every stage of the selection process and right through to the practical considerations at the installation stage.

In this brochure we have provided guidance to help you with the selection of expansion joint covers, taking into account the movements expected, the joint width, the usage environment and the aesthetics of the finish. We have also shown you dimensions for any blockouts which may need to be formed into the substrate to accommodate the cover. Should you have any questions at all, we encourage you to contact us for further clarification and technical assistance.

We are here to help you avoid any costly mistakes and our installation service, Conspec Contracts, is available to install all of our joint covers if required.



Education



Healthcare



Airports



Car parks



Shopping centres



Retail outlets



Commercial



Sport and leisure

Company profile






Construction Specialties operate through 22 offices worldwide and have key manufacturing locations or sales offices in most European countries.

The UK Head Office, based in Buckinghamshire, is the sales and manufacturing hub for servicing markets across the UK and Ireland (and parts of Europe), through a network of experienced and professional technical sales representatives.

Our product ranges include wall protection systems, entrance flooring systems, specialist coatings for walls and floors, expansion joint covers, solar shading, cubicle curtain track and pressure relief systems. These have been successfully installed in many of the world's most prestigious buildings, across a spectrum of business sectors, including healthcare, transport, retail, leisure and commercial offices.

CONTENTS

- C/S Allway® Expansion Joint Covers range from modest cover plates to the most sophisticated multi-directional assemblies, to suit a variety of situations and budgets.
- To complement a wide offering of joint covers for floors, walls and ceilings in a choice of styles and finishes, the product range also includes speciality covers for car parks, roofs and exterior walls, to offer you a solution for any part of the building.
- If no standard cover meets your requirements, we'll design one for you. We can demonstrate full-size testing for any of our joints and systems in our R&D facility.
- A wide range of related accessories, including Fire Barriers and Moisture Barriers from a single manufacturer, ensures complete fitting and performance compatibility between components.
- Professional installation can be provided through our installation division, Conspec Contracts. Our trained installation teams can also help with problem resolution and on-site technical assistance.

	Pages
Introduction to EJs including Specification Considerations	4
Sitework	5
Product Selection Guide	6-7
	Floor Joint Covers
	Gasketed 8-17
	Metal 18-23
	Cover Strips 24-25
	Wall & Ceiling Joint Covers
	Gasketed 26-29
	Metal 30-31
	Cover Strips/Compression Strips 32-33
	Parking/Stadia Joint Covers
	Gasketed 34-37
	Metal 38-39
	Exterior Joint Covers
	Wall 40-41
	Roof 42-43
	Accessories
	Fire Barriers 44
	Moisture Barriers 45
	Acoustic Barriers 45
Our Services	46
Recent Projects	47

EXPANSION JOINTS BASICS

CHARACTERISTICS

- Structural gaps designed to accommodate the movement of a building in a controlled manner, preventing damage to the internal and external finishes.
- Expansion joints go right through the structure of the building from top to bottom and front to back.
- They often become wider as you go higher up in the building.

TYPES OF MOVEMENT

Thermal/Shrinkage

Movement caused by the structure expanding and contracting with temperature changes, or shrinking as it dries out.

Settlement

Movement caused by the dead and live loads of the structure on the supporting foundations.

Wind Sway

Movement caused by the effect of strong winds on the structure, which is more pronounced on tall buildings.

Seismic

Multi-directional movement caused by seismic events, can be significant depending on the magnitude of the seismic activity.

EXPANSION JOINT COVERS (EJCS)

EJCs provide a covered transition across an expansion or movement joint opening and remain unaffected by the relative movement of the two surfaces either side of the joint.

SPECIFICATION CONSIDERATIONS

EXPANSION OR MOVEMENT JOINT WIDTH

The nominal joint width is the width of the structural expansion gap under normal operating temperatures. Expansion joint covers are designed to work with specific joint widths, or a range of joint widths.

ANTICIPATED MOVEMENT

This can either be expressed as an overall movement, as a percentage of the expansion joint width or, more usually, as a +/- movement.

For example, a 50mm nominal expansion joint with an anticipated expansion and contraction of 25mm could be expressed as:

- 50mm +/-25mm
- 50mm with a total movement of 50mm
- 50mm +/- 50%

BUILDING USAGE AND LOADING REQUIREMENTS

The type of usage that the building will be put to will affect the choice of expansion joint cover.

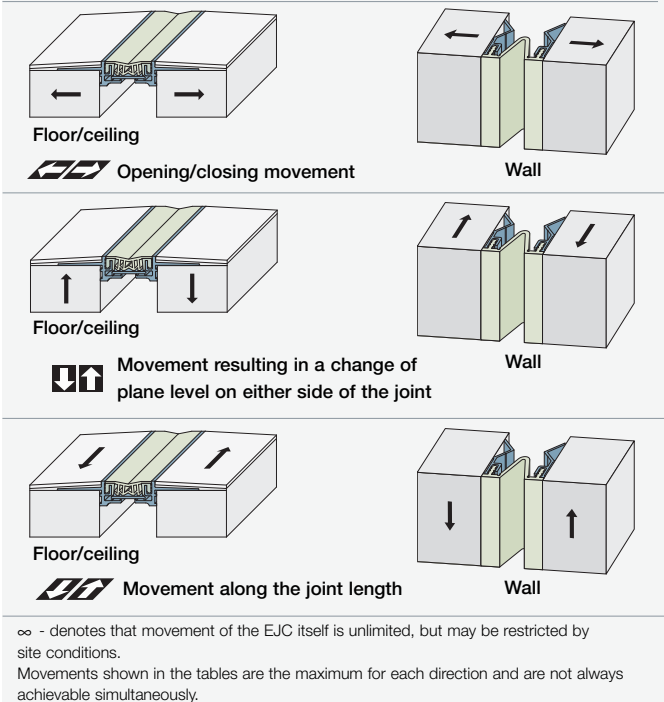
For example, if the expansion joint is in a hospital, or other type of building where hygiene and infection control are of paramount importance, then a smooth gasketed model may be the optimum choice as it will be flush fitting, wheel friendly, watertight and can be sealed further to enhance infection control.

In a heavily trafficked area where infection control is not an issue, such as light industrial, leisure or retail, the optimum choice may be an all metal model that is hardwearing, easily assembled and tamperproof.

For very heavily trafficked areas, which will be subjected to heavy wheeled traffic, such as an airport, sports stadium, shopping centre or heavy industrial, the optimum choice would be a heavy duty all metal model that has all the advantages of the standard duty model with the added ability to withstand a 1000kg point load.

Movement symbol key

We have adopted the following symbols throughout the brochure to indicate the range of movement available with different EJC models:



Generally, the floor EJC application is the element most affected by usage, it is therefore recommended that the selection process begins with the floor cover and progresses from there.

AESTHETICS

When selecting EJCs consider adjacent floor and wall finishes. Certain models allow for the finish to be integrated into the cover assembly, thus minimising the visual impact. It is also possible to colour match the gaskets subject to minimum order quantities.

ADDITIONAL CONSIDERATIONS

Blockout Recess

It is essential to specify and correctly form the blockout for any recess mounted floor EJCs. Minimum recess dimensions required are noted on the product pages.

Fire Rating

C/S EJCs can be fitted with optional fire barriers to achieve a 1 hour or 2 hour fire rating. All C/S Fire Barriers have been tested to either BS 476 Parts 20 and 22: 1987 - Fire Tests on Building Materials and Structures, or are Underwriters Laboratories (UL-2079) certified.

Moisture Barriers

If moisture ingress is an issue, optional Moisture Barriers with or without drainage can be provided.

Acoustic Barriers

Acoustic Barriers can be provided in areas where noise transfer is an issue.

Transition between adjacent cover systems

It is important that transition details are worked out thoroughly, since bad transitions can ruin even the best joint cover scheme.

Transitions in exterior covers, particularly between roof and wall covers, are critical to the water tightness of the exterior envelope.



SITWORK

MATERIAL HANDLING AND ACCLIMATISATION

- Prior to the commencement of installation, all materials should be inspected for damage.
- Acclimatise product in the installation environment for 24 hours.
- Review Installation Instructions to familiarise yourself with all the details and components of the expansion joint cover assembly.

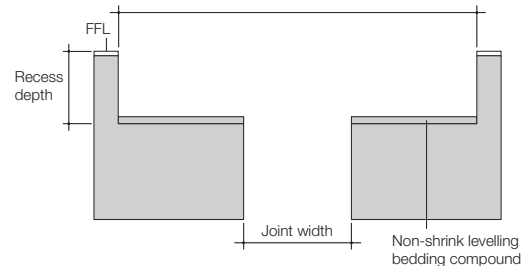
SUB-FLOOR PREPARATION

(RECESS MOUNTED MODELS)

- The blockouts must be prepared to receive recess mounted floor joint covers. It is recommended that the recess is formed a minimum of 5mm deeper to allow for levelling prior to the installation of the joint cover components.
- Non-shrink, self-levelling bedding compound should be used on top of concrete floor slabs in order to provide a level, even and structurally sound base under the entire width and length of the expansion joint cover base frame.

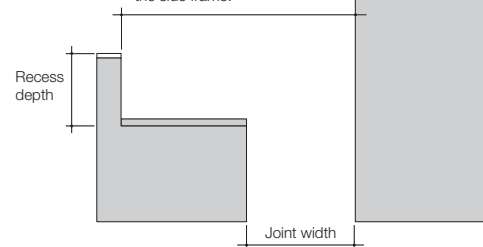
Floor to floor

Recess width = EJC width and 5mm extra from the edge of each side frame.



Floor to wall

Recess width = EJC width and 5mm extra from the edge of the side frame.



INSTALLATION

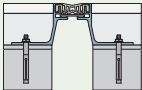
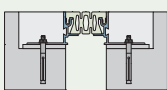
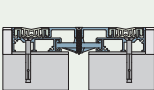
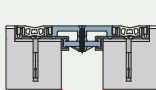
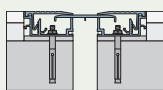
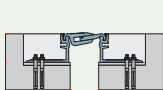
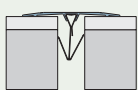

Full Installation Instructions will be supplied with our products.

They can also be downloaded from our website www.c-sgroup.co.uk or requested on 01296 652800. The following are general guidelines only:

- Fire Barrier systems, if required, should be installed before the installation of the Expansion Joint Cover.
- Moisture Barrier, if required (and not part of the expansion joint cover), should be installed before proceeding with the installation of the EJC.
- If there is an expected temperature change of over 11°C daily, leave a 1.5mm gap at the end of each 3 metre length section due to the thermal expansion of aluminium. Where possible, stagger the centre plate and side frame joints. Seal in between plates to close the gap.
- Fixings for any Expansion Joint Cover system will inevitably tend to be close to the edge of the concrete floor slab. It is therefore important that any fixings used should not exert an excessive sideways force, which might fracture the concrete along the side of the floor slab and cause it to spall.
- We recommend that fixings used for installation of floor EJCs should achieve at least 40mm embedment into the concrete slab.


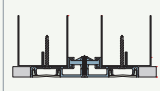

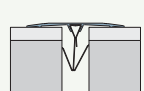
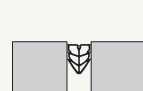

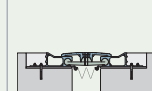
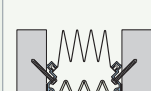
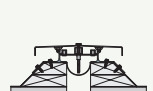
PRODUCT SELECTION CHART

Use this chart as the first step in the correct selection of your Expansion Joint Cover.

COVER TYPE	FLOOR COVERS						
	GASKETED				METAL		COVER STRIPS
	SINGLE GASKET		DOUBLE GASKET		Standard duty	Heavy duty	Standard duty
	Standard duty	Heavy duty	Standard duty	Heavy duty	Standard duty	Heavy duty	Standard duty
APPEARANCE							
NOMINAL JOINT WIDTH	up to 50mm	up to 55mm	up to 135mm	up to 110mm	up to 150mm	up to 133mm	up to 100mm
MOVEMENT RANGE* 	up to +10mm up to -10mm	up to +15mm up to -15mm	up to +38mm up to -38mm	up to +38mm up to -38mm	up to +100mm up to -100mm	up to +95mm up to -65mm	up to +65mm up to -100mm
DESCRIPTION/ KEY FEATURES	Minimum exposed surface, sealed gasket installation, surface and recess mounted options	Robust construction, surface and recess mounted options	Recess mounted, sealed gasket installation, larger movement	Robust construction, flush centre plate and heavy duty gaskets	Up to 100% horizontal movement, low maintenance and tamperproof installations	Robust covers, tamperproof and low maintenance, full movement range	Economical rigid cover strips, easy to install, choice of materials
DESIGNED FOR/ TYPE OF USE	Hygienic environments, interior applications	Interior or exterior applications	Hygienic environments, interior applications	Hygienic environments, interior or exterior applications	Industrial, interior and exterior application options	Industrial, heavy wheeled equipment, interior and exterior applications	Interior applications, no recess required, suitable for retrofit situations
Finishes	Carpet, vinyl, wood ceramic tile, terazzo, stone	Carpet, vinyl, wood ceramic tile, terazzo, stone, concrete	Carpet, vinyl, wood ceramic tile, terazzo, stone	Carpet, vinyl, wood ceramic tile, terazzo, stone	Concrete, wood carpet, vinyl, ceramic tile	Concrete, wood carpet, vinyl, ceramic tile	Carpet, vinyl, wood concrete, ceramic tile
LOAD CAPABILITY (kg point load**)	250kg point load	1000kg point load	250kg point load	1000kg point load	250kg point load	1000kg point load	250kg point load
MATCHING FLOOR OR WALL/ CEILING JOINT	p.27	N/A	p.29	p.29	p.30-31	N/A	p.32
ACCESSORIES							
Fire Barriers	Reflex (p.44)	Reflex (p.44)	Reflex or Multiflex (p.44)	Reflex or Multiflex (p.44)	Reflex (p.44)	Reflex (p.44)	Reflex (p.44)
Moisture Barriers	Available (p.45)	Available (p.45)	Available (p.45)	Available (p.45)	Available (p.45)	Available (p.45)	Available (p.45)
Acoustic Barriers	Available (p.45)	Available (p.45)	Available (p.45)	Available (p.45)	Available (p.45)	Available (p.45)	Available (p.45)
EJC SERIES	GFS - p.9 GFPS - p.9 GFT - p.11 GFT-B - p.12 GFT-SS - p.12	RLO - p.13 HO & HO-SS - p.13	DGTP & GTP - p.15 DGTR & GTR - p.16 DGTRD & GTRD - p.16 GFTD series - p.17	DGTP-HD & GTP-HD - p.17	ALS - p.21 ALR - p.21 SJP-SS - p.23 SJ-SS - p.23	APF - p.19 APF-SM - p.19 AL-HD - p.22 SJ-HDSS - p.23	W - p.25 PC - p.25

* For full details refer to product pages. Please note maximum '+' and '-' movement is not always achievable on the same EJC model.

** Point load is based on 25mm diameter

WALL & CEILING COVERS					PARKING/STADIA		EXTERIOR	
GASKETED		METAL	COVER STRIPS	COMPRESSION STRIPS	GASKETED	METAL	WALL	ROOF
SINGLE GASKET	DOUBLE GASKET				Heavy duty	Heavy duty		
								
up to 150mm	up to 100mm	up to 100mm	up to 50mm	up to 66mm	up to 100mm	up to 250mm	up to 150mm	up to 175mm
up to +150mm up to -105mm	up to +38mm up to -38mm	up to +75mm up to -75mm	up to +35mm up to -35mm	up to +6mm up to -6mm	up to +60mm up to -60mm	up to +140mm up to -125mm	up to +150mm up to -90mm	up to +145mm up to -150mm
Minimum exposed surface, sealed gasket installation	Minimum exposed surface, sealed gasket installation, larger movement	Low maintenance, covers can be painted to match wall finish	Economical, easy to install, choice of materials	Flexible rubber sections, economical, easy to install	Exterior or interior, waterproof applications, full movement range	Exterior or interior, waterproof applications, full movement range	Minimum exposed surface, sealed gasket installation	Formed aluminium and EPDM bellows options
Hygienic environments, interior applications	Hygienic environments, interior applications	Interior applications	Interior applications	Interior or exterior applications	Vehicular traffic, stadium seating bowls and concourse	Vehicular traffic, stadium seating bowls and concourse	Exterior walls	Roofs, flat or sloping
Drywall, ceramic tile	Drywall, ceramic tile	All finishes	All finishes	All finishes	Concrete, paving	Concrete, paving	All finishes	All roof finishes
N/A	N/A	N/A	N/A	N/A	1000kg point load	1000kg point load	N/A	N/A
p.8-11	p.14-17	p.20-21;25	p.24-25	N/A	N/A	N/A	N/A	N/A
Reflex (p.44)	Reflex or Multiflex (p.44)	Reflex or Multiflex (p.44)	Reflex or Multiflex (p.44)	Reflex or Multiflex (p.44)	Available (p.44)	Reflex or Multiflex (p.44)	Reflex or Multiflex (p.44)	Reflex or Multiflex (p.44)
N/A	N/A	N/A	N/A	N/A	N/A	Supplied as standard	N/A	N/A
Available (p.45)	Available (p.45)	Available (p.45)	Available (p.45)	Available (p.45)	N/A	N/A	Available (p.45)	Available (p.45)
FGFS - p.27 FWF - p.27 FWFP - p.27 FWS - p.28 FWS-M - p.28 FCS - p.28 FCF - p.29 HC - p.29	GTW - p.29	SMN - p.31 AFW - p.31	W - p.32	JD - p.33	ZB - p.35 HB - p.36 TES - p.36 CSSF - p.36 PDA & PDS - p.37	KB - p.39 PTC - p.39	SC - p.41 SF - p.41	BRJ - p.43 SRJ - p.43

GASKETED FLOOR JOINT COVERS

JOINTS TO 50MM – MOVEMENT UP TO ±10MM

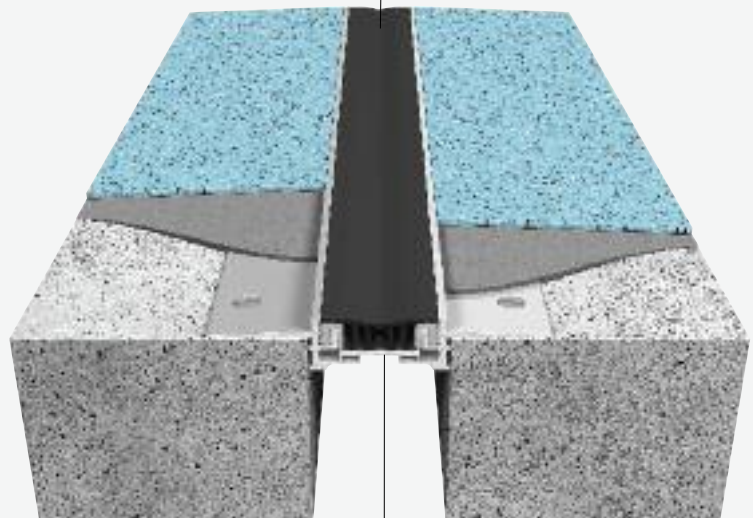


Brislington Enterprise College, Bristol

- Surface mounted floor joint covers
- Easy to clean, ideal for areas where hygiene is important
- Replaceable gaskets
- Simple installation, no blockout required
- Interior applications only
- Suitable for most floor finishes
- Multi-directional movement
- Retrofit applications

How it works

Single gasket expands and contracts during movement and is held in position by the aluminium side frames.



Models for 50mm wide joints include aluminium centre plate for added durability and support beneath the gasket.

GFS series – Standard duty

The easy to install surface mounted joint covers incorporating a single gasket.

Floor to floor covers				Floor to wall covers							
Model	Joint width (mm)	Exposed surface (mm)	Movement ± (mm)			Model	Joint width (mm)	Exposed surface (mm)	Movement ± (mm)		
GFS-80	20	105	±3	±1	±1	GFSW-80	20	62	±3	±1	±1
GFS-100	25	111	±5	±3	±2	GFSW-100	25	67	±5	±3	±2
GFS-200	50	129	±10	±3	±3	GFSW-200	50	90	±10	±3	±3

Colours and finishes

Aluminium sections are clear anodised as standard. C/S TPR Gasket is available in four standard colours[‡]. Other colours can be supplied subject to minimum quantity.

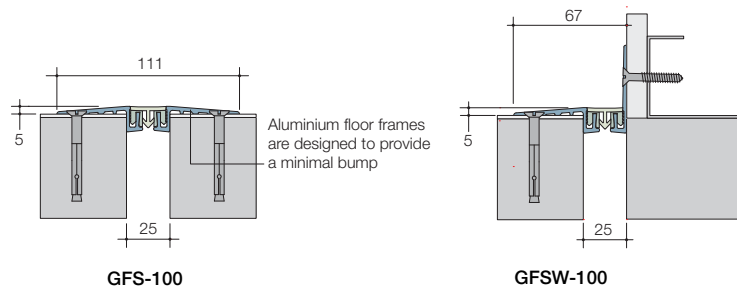
Load capability
250kg point load.

Accessories

Optional Fire Barriers, Moisture Barriers and Acoustic Barriers, see p.44-45 for details.

Complementary wall/ceiling joint covers

FGFS(C) series p.27



GFPS series – Standard duty

Surface mounted joint covers featuring exposed aluminium frames which are recessed to take a 5mm thick carpet or vinyl floor finish.

Floor to floor covers				Floor to wall covers							
Model	Joint width (mm)	Exposed surface (mm)	Movement ± (mm)			Model	Joint width (mm)	Exposed surface (mm)	Movement ± (mm)		
GFPS-80	20	23	±3	±1	±1	GFPSW-80	20	22	±3	±1	±1
GFPS-100	25	30	±5	±3	±2	GFPSW-100	25	28	±5	±3	±2
GFPS-200	50	48	±10	±3	±3	GFPSW-200	50	48	±10	±3	±3

Colours and finishes

Aluminium sections are mill finished as standard, except for exposed wall frames, which are supplied clear anodised. C/S TPR Gasket is available in four standard colours[‡]. Other colours can be supplied subject to minimum quantity.

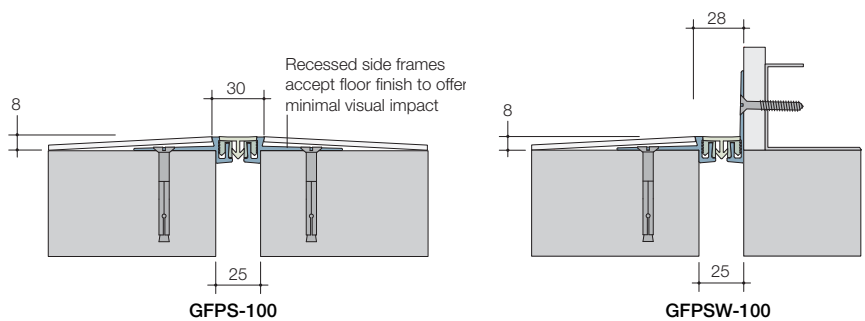
Load capability
250kg point load.

Accessories

Optional Fire Barriers, Moisture Barriers and Acoustic Barriers, see p.44-45 for details.

Complementary wall/ceiling joint covers

FWF(C) series p.27



[‡]Standard TPR Gasket Colours

Black

White

Grey

Greige

GASKETED FLOOR JOINT COVERS

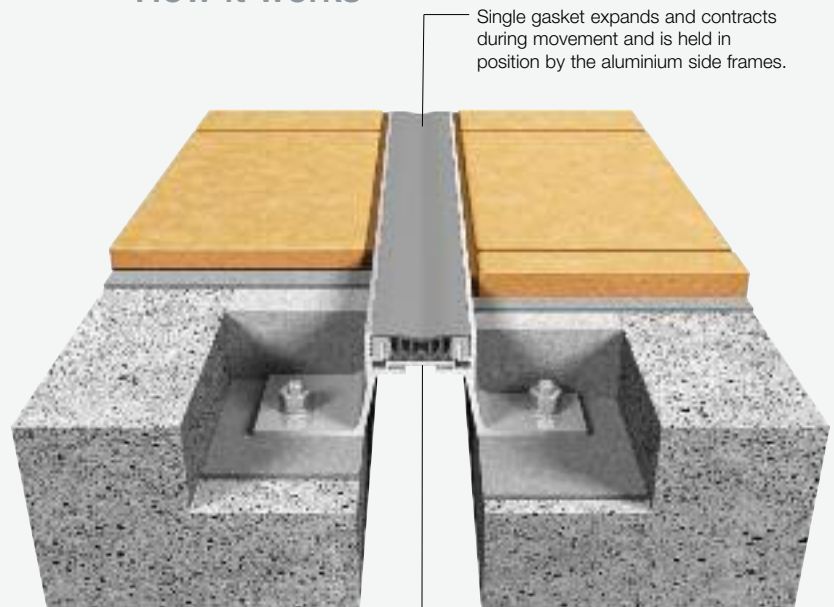
JOINTS TO 50MM – MOVEMENT UP TO ±10MM



Walsall Hospital, Walsall

- Small, recess mounted interior joint covers with minimal visual impact
- Easy to clean, ideal for areas where hygiene is important
- Replaceable gaskets
- Suitable for most floor finishes. Frame depth and configuration is variable to suit selected finish
- Brass and stainless steel options available
- Interior use only
- Multi-directional movement

How it works






Models for 50mm wide joints include aluminium centre plate for added durability and support beneath the gasket.

GFT series - Standard duty




The standard embedded joint covers for floor joints up to 50mm wide, available in four frame depths. Can be fitted flush to the floor screed or left proud to butt up to a carpet or vinyl finish.

Floor to floor covers

Model	Joint width (mm)	Frame depth (mm)	Exposed surface (mm)	Minimum recess required (mm)		Movement ± (mm)		
				Depth*	Width			
GFT-100/25	25	25	30	30	135	±5	±3	±2
GFT-100/38	25	38	32	43	137	±5	±3	±2
GFT-100/50	25	51	32	56	137	±5	±3	±2
GFT-100/75	25	75	32	80	137	±5	±3	±2
GFT-200/25	50	25	47	30	158	±10	±3	±3
GFT-200/38	50	38	48	43	158	±10	±3	±3
GFT-200/50	50	51	48	56	158	±10	±3	±3
GFT-200/75	50	75	48	80	158	±10	±3	±3

* From FFL

Floor to wall covers

Model	Joint width (mm)	Frame depth (mm)	Exposed surface (mm)	Minimum recess required (mm)		Movement ± (mm)		
				Depth*	Width			
GFTW-100/25	25	25	28	30	80	±5	±3	±2
GFTW-100/38	25	38	29	43	82	±5	±3	±2
GFTW-100/50	25	51	29	56	82	±5	±3	±2
GFTW-100/75	25	75	29	80	82	±5	±3	±2
GFTW-200/25	50	25	48	30	103	±10	±3	±3
GFTW-200/38	50	38	48	43	104	±10	±3	±3
GFTW-200/50	50	51	48	56	104	±10	±3	±3
GFTW-200/75	50	75	48	80	104	±10	±3	±3

Colours and finishes

Aluminium sections are mill finished as standard, except for exposed wall frames, which are supplied with clear anodised finish. C/S TPR Gasket is available in four standard colours[‡]. Other colours can be supplied subject to minimum quantity.

Load capability

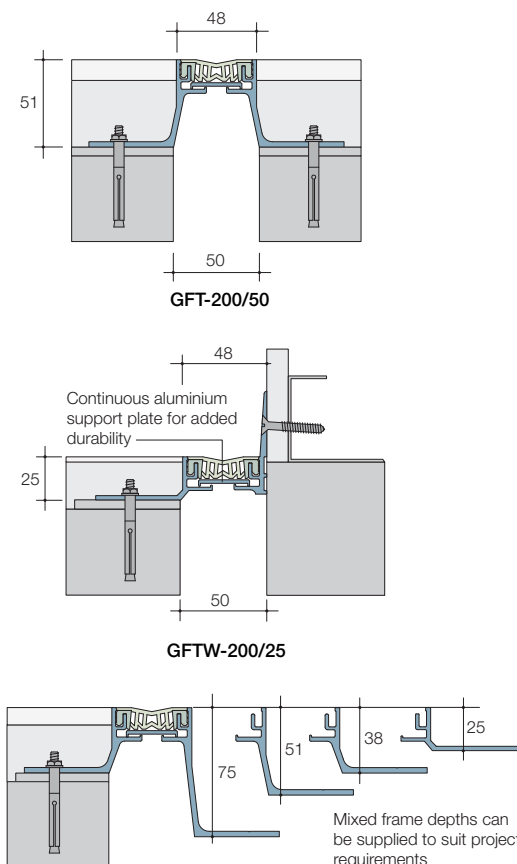
250kg point load.

Accessories

Optional Fire Barriers, Moisture Barriers and Acoustic Barriers, see p.44-45 for details.

Complementary wall/ceiling joint covers

FWF(C) and FWFP(C) series p.27



[‡]Standard TPR Gasket Colours

Black

White

Grey

Greige

GFT-B series – Standard duty

Recess mounted joint covers comprising brass capped aluminium frames and a C/S TPR Gasket.

Floor to floor covers

Model	Joint width	Frame depth	Exposed surface	Minimum recess required (mm)		Movement ± (mm)		
	(mm)	(mm)	(mm)	Depth*	Width			
GFT-100/50B	25	51	34	56	137	±5	±3	±2
GFT-200/50B	50	51	54	56	209	±10	±3	±3

* From FFL

Floor to wall covers

Model	Joint width	Frame depth	Exposed surface	Minimum recess required (mm)		Movement ± (mm)		
	(mm)	(mm)	(mm)	Depth*	Width			
GFTW-100/50B	25	51	30	56	81	±5	±3	±2
GFTW-200/50B	50	51	52	56	130	±10	±3	±3

Colours and finishes

Aluminium floor frames are mill finished as standard and supplied with a brass frame cap. Wall frames are supplied with clear anodised finish.

C/S TPR Gasket is available in four standard colours[‡].

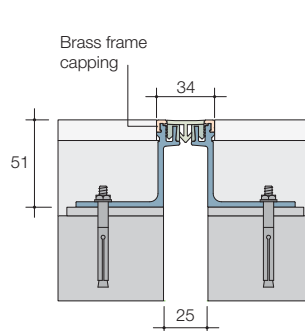
Other colours can be supplied subject to minimum quantity.

Load capability

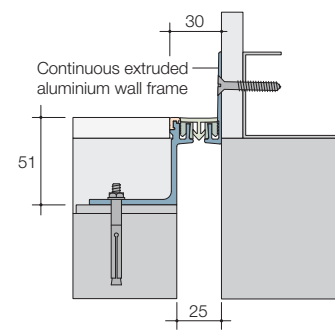
250kg point load.

Accessories

Optional Fire Barriers, Moisture Barrier and Acoustic Barriers, see p.44-45 for details.



GFT-100/50B



GFTW-100/50B

GFT-SS series – Standard duty

Recess mounted joint covers comprising aluminium frames with a stainless steel frame capping and a C/S TPR Gasket.

Floor to floor covers

Model	Joint width	Frame depth	Exposed surface	Minimum recess required (mm)		Movement ± (mm)		
	(mm)	(mm)	(mm)	Depth*	Width			
GFT-100/50SS	25	51	34	56	137	±5	±3	±2
GFT-200/50SS	50	51	53	56	158	±10	±3	±3

* From FFL

Floor to wall covers

Model	Joint width	Frame depth	Exposed surface	Minimum recess required (mm)		Movement ± (mm)		
	(mm)	(mm)	(mm)	Depth*	Width			
GFTW-100/50SS	25	51	30	56	82	±5	±3	±2
GFTW-200/50SS	50	51	52	56	104	±10	±3	±3

Colours and finishes

Aluminium floor frames are mill finished as standard and supplied with a stainless steel frame capping. Wall frames are supplied with clear anodised finish.

C/S TPR Gasket is available in four standard colours[‡]. Other gasket colours can be supplied subject to minimum quantity.

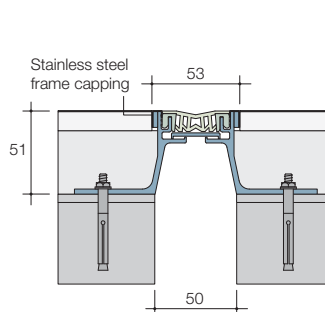
Other gasket colours can be supplied subject to minimum quantity.

Load capability

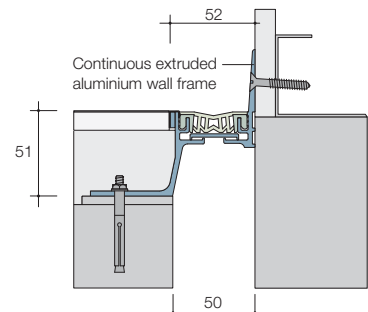
250kg point load.

Accessories

Optional Fire Barriers, Moisture Barrier and Acoustic Barriers, see p.44-45 for details.



GFT-200/50SS



GFTW-200/50SS

[‡]Standard TPR Gasket Colours

Black

White

Grey

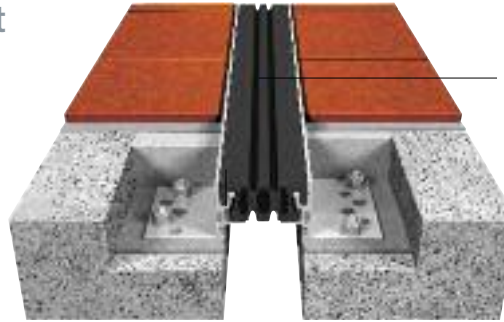
Greige

GASKETED FLOOR JOINT COVERS - HEAVY DUTY

JOINTS TO 55MM – MOVEMENT UP TO ±15MM

- Robust construction
- Applications where heavy wheeled equipment is to be used
- Interior or exterior use
- Replaceable gaskets

How it works



Single gasket expands and contracts during movement and is held in position by the aluminium side frames.

RLO series – Heavy duty

Heavy duty surface mounted joint covers comprising aluminium side frames and a flexible and robust PVC gasket.

Floor to floor covers

Model	Joint width (mm)	Exposed surface (mm)	Movement ± (mm)		
RLO-200/31	55	210	±15	±15	±5

Floor to wall covers

Model	Joint width (mm)	Exposed surface (mm)	Movement ± (mm)		
RLOW-200/31	55	130	±15	±15	±5

Colours and finishes

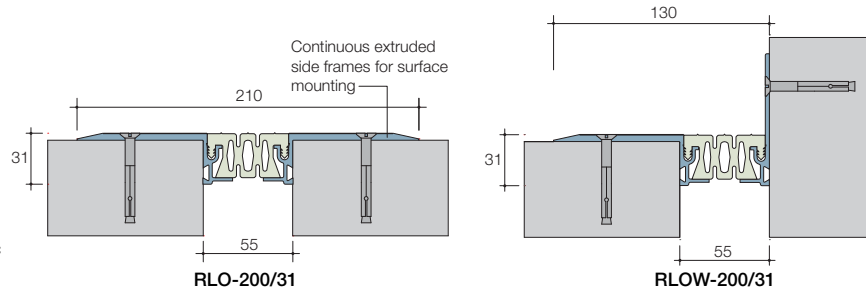
Aluminium sections are mill finished as standard. PVC gaskets are available in Black and Grey as standard.

Load capability

1000kg point load.

Accessories

Optional Fire Barriers, Moisture Barriers and Acoustic Barriers, see p.44-45 for details.



HO and HO-SS series – Heavy duty

Heavy duty recess mounted joints covers comprising aluminium side frames and a flexible and robust PVC gasket.

HO-SS models are supplied with a stainless steel capping on floor side frames.

Floor to floor covers

Model	Joint width (mm)	Exposed surface (mm)	Minimum recess required (mm)		Movement ± (mm)		
			Depth*	Width			
HO-200/40	50	55	45	155	±15	±15	±5
HO-200/40SS	50	61	45	155	±15	±15	±5

Floor to wall covers

Model	Joint width (mm)	Exposed surface (mm)	Minimum recess required (mm)		Movement ± (mm)		
			Depth*	Width			
HOW-200/40	50	55	45	105	±15	±15	±5
HOW-200/40SS	50	58	45	105	±15	±15	±5

* From FFL

Colours and finishes

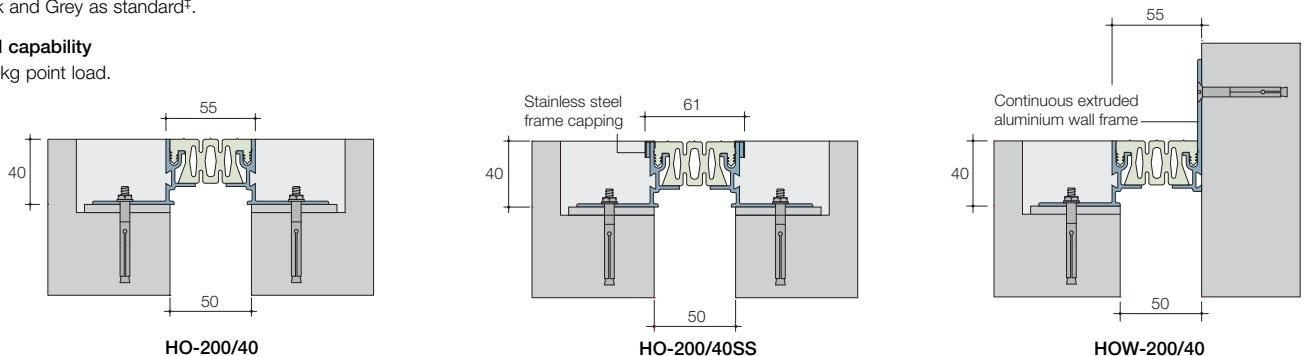
Aluminium sections are mill finished as standard. Stainless steel capping is supplied dull polished. PVC gaskets are available in Black and Grey as standard[‡].

Load capability

1000kg point load.

Accessories

Optional Fire Barriers, Moisture Barriers and Acoustic Barriers, see p.44-45 for details.



[‡]Standard PVC Gasket Colours

Black

Grey

GASKETED FLOOR JOINT COVERS

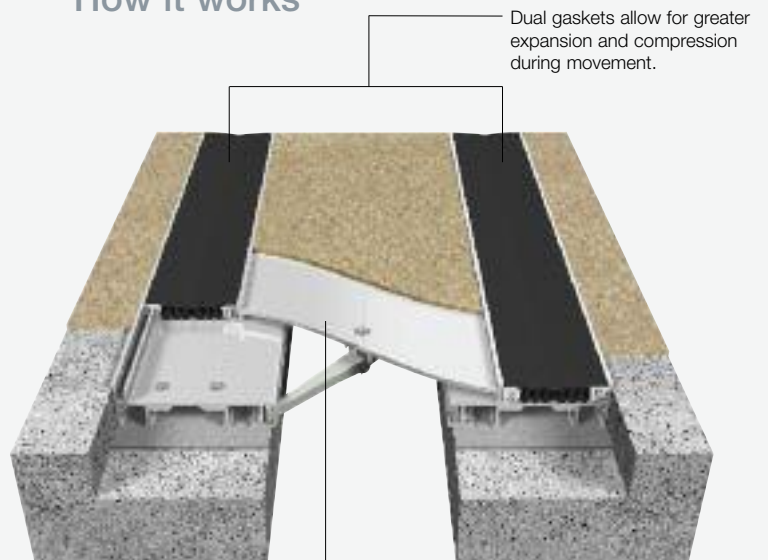
JOINTS TO 135MM – MOVEMENT UP TO ±38MM



John Radcliffe Hospital, Oxford

- Recess mounted joint covers offering flush floor finish
- Suitable for applications with larger movement requirements
- Easy to clean, ideal for areas where hygiene is important
- Replaceable gaskets
- Multi-directional movement
- Choice of frame depths
- Heavy duty versions available
- Recessed centre plate options accept surrounding floor materials for maximum concealment

How it works






Dual gaskets allow for greater expansion and compression during movement.

Durable aluminium plate spans joint opening and turnbar assembly ensures that the plate remains centred and in place throughout the movement cycle.

DGTP & GTP series – Standard duty




Floor covers with flush aluminium centre plate and dual C/S TPR gasket. Models incorporating 30mm deep side frames can be installed over joints with varying widths. Shallower, 16mm deep versions, require a consistent joint width along their length.

Floor to floor covers

Model	Joint width range (mm)	Frame depth (mm)	Exposed surface (mm)	Minimum recess required (mm)		Movement ± (mm)		
				Depth*	Width			
DGTP-200	35-58	30	165	35	175	±20	±8	±6
DGTP-300	53-85	30	254	35	264	±38	±12	±8
DGTP-400	53-110	30	279	35	289	±38	±15	±8
GTP-200	50	16	165	21	175	±20	±8	±6
GTP-300	75	16	253	21	263	±38	±12	±8
GTP-400	100	16	279	21	289	±38	±15	±8

*From FFL

Floor to wall covers

Model	Joint width range (mm)	Frame depth (mm)	Exposed surface (mm)	Minimum recess required (mm)		Movement ± (mm)		
				Depth*	Width			
DGTPW-200	10-54	30	108	35	113	±10	±2	±3
DGTPW-300	20-80	30	164	35	169	±19	±3	±4
DGTPW-400	20-105	30	189	35	194	±19	±5	±4
GTPW-200	50	16	107	21	113	±10	±2	±3
GTPW-300	75	16	164	21	169	±19	±3	±4
GTPW-400	100	16	189	21	194	±19	±5	±4

Colours and finishes

Aluminium sections are mill finished as standard, except for flush centre plates and exposed wall frames, which are supplied in clear anodised finish. C/S TPR Gaskets are available in four standard colours‡. Other colours can be supplied subject to minimum quantity.

Load capability

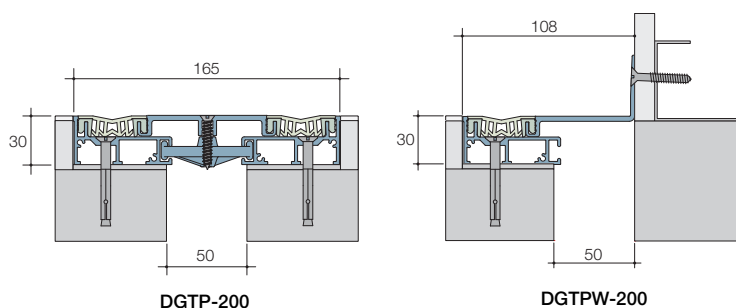
250kg point load.

Accessories

Optional Fire Barriers, Moisture Barriers and Acoustic Barriers, see p.44-45 for details.

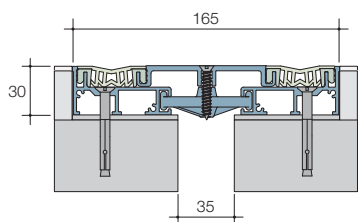
Complementary wall/ceiling joint covers

GTW(C) series p.29

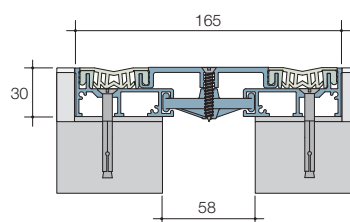


Installation flexibility

Models where all the workings take place within the frames and above the actual joint opening (for example dual gasketed models featuring 30mm deep frames) can be installed over a range of joint widths, or over uneven joint widths, whilst still maintaining the same movement capability. Technical tables provide minimum and maximum joint width values for these models.



DGTP-200 installed over minimum joint width



DGTP-200 installed over maximum joint width

‡Standard TPR Gasket Colours

Black

White

Grey




Greige

DGTR & GTR series – Standard duty

Flush floor covers with 3.2mm deep recessed aluminium centre plate to take a vinyl floor, bonded carpet or other insert.

Models incorporating 30mm deep side frames can be installed over joints with varying widths. Shallower, 16mm deep versions, require a consistent joint width along their length.

Floor to floor covers

Model	Joint width range (mm)	Frame depth (mm)	Exposed surface (mm)	Minimum recess required (mm)		Movement ± (mm)		
				Depth*	Width			
DGTR-200	35-58	30	165	35	175	±20	±8	±6
DGTR-300	53-85	30	254	35	264	±38	±12	±8
DGTR-400	53-110	30	279	35	289	±38	±15	±8
GTR-200	50	16	165	21	175	±20	±8	±6
GTR-300	75	16	254	21	264	±38	±12	±8
GTR-400	100	16	278	21	289	±38	±15	±8

*From FFL

Colours and finishes

Aluminium sections are mill finished as standard, except for exposed wall frames, which are supplied in clear anodised finish. C/S TPR Gaskets are available in four standard colours‡. Other colours can be supplied subject to minimum quantity.

Load capability

250kg point load.




Accessories

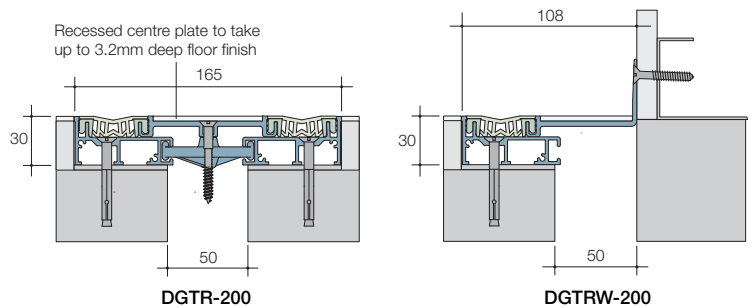
Optional Fire Barriers, Moisture Barriers and Acoustic Barriers, see p.44-45 for details.

Complementary wall/ceiling joint covers

GTW(C) series p.29

Floor to wall covers




Model	Joint width range (mm)	Frame depth (mm)	Exposed surface (mm)	Minimum recess required (mm)		Movement ± (mm)		
				Depth*	Width			
DGTRW-200	10-54	30	108	35	113	±10	±2	±3
DGTRW-300	20-80	30	164	35	169	±19	±3	±4
DGTRW-400	20-105	30	189	35	194	±19	±5	±4
GTRW-200	50	16	108	21	113	±10	±2	±3
GTRW-300	75	16	164	21	169	±19	±3	±4
GTRW-400	100	16	189	21	194	±19	±5	±4



DGTRD & GTRD series – Standard duty

Flush floor covers with a 9.5mm deep recessed aluminium centre plate to take carpet, wood or vinyl flooring (not recommended for brittle finishes). Models incorporating 30mm deep side frames can be installed over joints with varying widths. Shallower, 16mm deep versions, require a consistent joint width along their length.

Floor to floor covers

Model	Joint width range (mm)	Frame depth (mm)	Exposed surface (mm)	Minimum recess required (mm)		Movement ± (mm)		
				Depth*	Width			
DGTRD-200	35-58	30	165	35	175	±20	±2	±6
DGTRD-300	53-85	30	254	35	264	±38	±3	±8
DGTRD-400	53-110	30	279	35	289	±38	±3	±8
GTRD-200	50	16	165	21	175	±20	±2	±6
GTRD-300	75	16	254	21	264	±38	±3	±8
GTRD-400	100	16	278	21	289	±38	±3	±8

*From FFL

Colours and finishes

Aluminium sections are mill finished as standard, except for exposed wall frames, which are supplied in clear anodised finish. C/S TPR Gaskets are available in four standard colours‡. Other colours can be supplied subject to minimum quantity.

Load capability

250kg point load.




Accessories

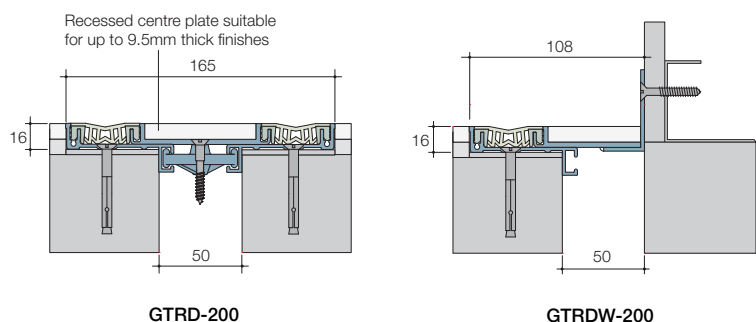
Optional Fire Barriers, Moisture Barriers and Acoustic Barriers, see p.44-45 for details.

Complementary wall/ceiling joint covers

GTW(C) series p.29

Floor to wall covers

Model	Joint width range (mm)	Frame depth (mm)	Exposed surface (mm)	Minimum recess required (mm)		Movement ± (mm)		
				Depth*	Width			
DGTRDW-200	10-54	30	108	35	113	±10	±2	±3
DGTRDW-300	20-80	30	165	35	170	±19	±2	±4
DGTRDW-400	20-105	30	190	35	195	±19	±2	±4
GTRDW-200	50	16	108	21	113	±10	±2	±3
GTRDW-300	75	16	165	21	170	±19	±2	±4
GTRDW-400	100	16	190	21	195	±19	±2	±4



‡Standard TPR Gasket Colours

Black

White




Grey

Greige

DGTP-HD & GTP-HD series – Heavy duty

Heavy duty floor joint covers with a flush centre plate suitable for areas where heavy rolling loads occur. Models incorporating 30mm deep side frames can be installed over joints with varying widths. Shallower, 16mm deep versions, require a consistent joint width along their length.

Floor to floor covers

Model	Joint width range (mm)	Frame depth (mm)	Exposed surface (mm)	Minimum recess required (mm)		Movement ± (mm)		
				Depth*	Width			
DGTP-200HD	35-58	30	165	35	175	±20	±8	±6
DGTP-300HD	53-85	30	254	35	264	±38	±12	±8
DGTP-400HD	53-110	30	279	35	289	±38	±15	±8
GTP-200HD	50	16	165	21	175	±20	±8	±6
GTP-300HD	75	16	253	21	264	±38	±12	±8
GTP-400HD	100	16	278	21	289	±38	±15	±8

*From FFL

Colours and finishes

Aluminium sections are mill finished as standard, except for the flush centre plate which is supplied in clear anodised finish. C/S TPR Gaskets are available in four standard colours†. Other colours can be supplied subject to minimum quantity.

Load capability

1000kg point load.




Accessories

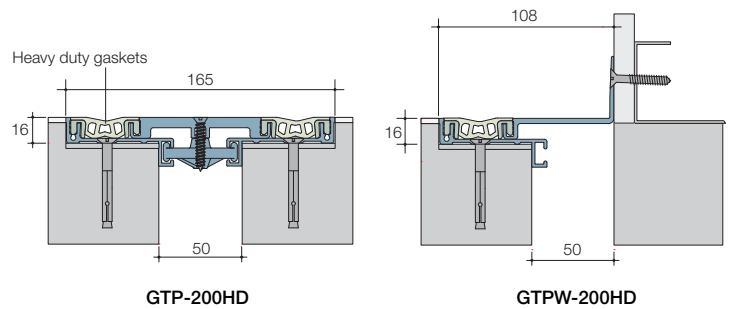
Optional Fire Barriers, Moisture Barriers and Acoustic Barriers, see p.44-45 for details.

Complementary wall/ceiling joint covers

GTW(C) series p.29

Floor to wall covers




Model	Joint width range (mm)	Frame depth (mm)	Exposed surface (mm)	Minimum recess required (mm)		Movement ± (mm)		
				Depth*	Width			
DGTPW-200HD	10-54	30	108	35	113	±10	±2	±3
DGTPW-300HD	20-80	30	164	35	169	±19	±3	±4
DGTPW-400HD	20-105	30	189	35	194	±19	±5	±4
GTPW-200HD	50	16	108	21	113	±10	±2	±3
GTPW-300HD	75	16	164	21	169	±19	±3	±4
GTPW-400HD	100	16	189	21	194	±19	±5	±4



GFTD series – Standard duty

Flush floor covers with an extra deep, 47mm recess in aluminium centre plate to take thick floor tiles, terrazzo or other floor finishes.

Floor to floor covers

Model	Joint width range (mm)	Frame depth (mm)	Exposed surface (mm)	Minimum recess required (mm)		Movement ± (mm)		
				Depth*	Width			
GFTD-200	25-100	54	270	59	381	±20	±3	±3
GFTD-300	35-135	54	304	59	415	±25	±3	±3

*From FFL

Colours and finishes

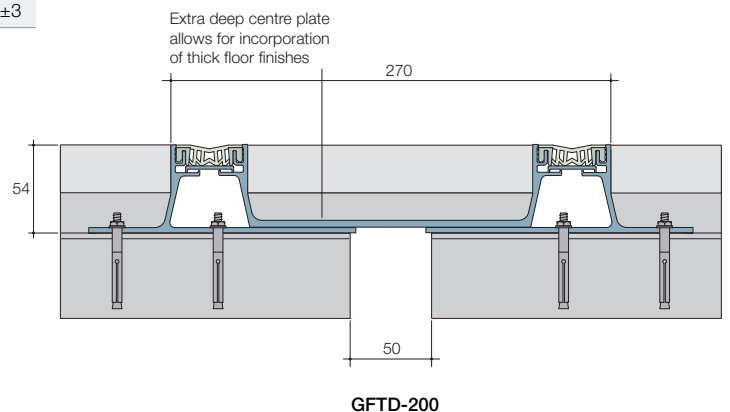
Aluminium sections are mill finished as standard. C/S TPR Gaskets are available in four standard colours‡. Other colours can be supplied subject to minimum quantity.

Load capability

250kg point load.

Accessories

Optional Fire Barriers, Moisture Barrier and Acoustic Barriers, see p.44-45 for details.



‡Standard TPR Gasket Colours

Black

White

Grey

Greige

METAL FLOOR JOINT COVERS - HEAVY DUTY

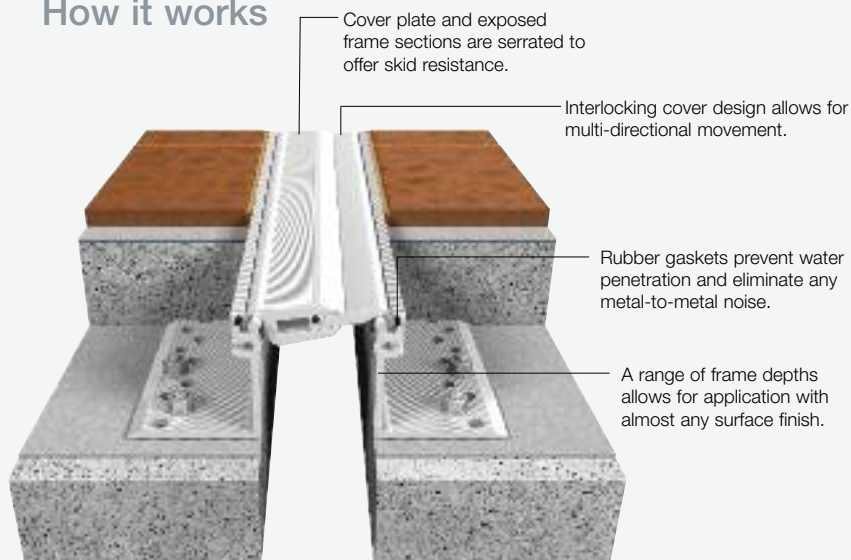
JOINTS TO 133MM – MOVEMENT UP TO +40MM AND –20MM



County Square Shopping Centre, Ashford

- Highly durable covers capable of withstanding heavy rolling loads
- Tamperproof installation with no exposed fasteners
- Surface and recess mounted variants
- Interior or exterior application
- Suitable for most floor finishes
- Low maintenance

How it works






To facilitate easy installation, factory assembled profiles are supplied to site with transit clips setting the side frames the correct distance apart.

APF series – Heavy duty

Recess mounted floor joint covers, highly resistant to rolling loads, distortion and wear. Five frame depths are available to suit a variety of situations and they can be mixed and matched if required. Cover plates and exposed frame sections are serrated to provide an anti-slip surface.

Floor to floor covers

Model	Joint width range (mm)	Frame depth (mm)	Exposed surface (mm)	Minimum recess required		Movement ± (mm)		
				Depth*	Width			
APF-200/25	10-60	25	83	30	193	+20/-10	±6	∞
APF-200/38	10-60	38	84	43	214	+20/-10	±6	∞
APF-200/50	10-60	50	84	55	214	+20/-10	±6	∞
APF-200/75	10-60	75	84	80	214	+20/-10	±6	∞
APF-200/100	10-60	100	84	105	214	+20/-10	±6	∞
APF-300/25	20-85	25	108	30	219	+30/-10	±10	∞
APF-300/38	10-85	38	109	43	239	+30/-10	±10	∞
APF-300/50	10-85	50	109	55	239	+30/-10	±10	∞
APF-300/75	10-85	75	109	80	239	+30/-10	±10	∞
APF-300/100	10-85	100	109	105	239	+30/-10	±10	∞
APF-400/25	35-110	25	133	30	243	+40/-20	±15	∞
APF-400/38	20-110	38	134	43	264	+40/-20	±15	∞
APF-400/50	20-110	50	134	55	264	+40/-20	±15	∞
APF-400/75	20-110	75	134	80	264	+40/-20	±15	∞
APF-400/100	20-110	100	134	105	264	+40/-20	±15	∞

*From FFL

Colours and finishes

Aluminium sections are mill finished as standard, except for wall frames, which are supplied clear anodised.

Accessories

Optional Fire Barriers, Moisture and Acoustic Barriers, see p.44-45 for details.




Load capability

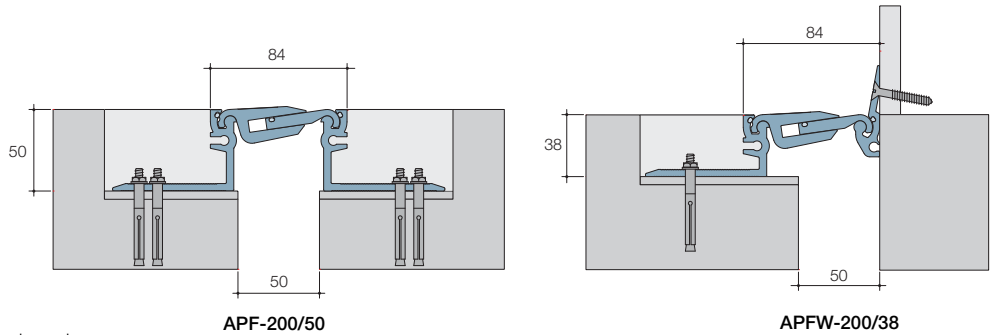
1000kg point load.

Suitable for applications with heavy rolling loads such as:

- Forklifts with full pneumatic tyres of a permissible total weight of 7 tonnes (tyre adhesion area 200 x 200mm)
- Trucks with pneumatic tyres of a permissible total weight of 30 tonnes

Floor to wall covers

Model	Joint width range (mm)	Frame depth (mm)	Exposed surface (mm)	Minimum recess required		Movement ± (mm)		
				Depth*	Width			
APFW-200/25	10-70	25	83	30	138	+20/-10	±6	∞
APFW-200/38	10-70	38	84	43	149	+20/-10	±6	∞
APFW-200/50	10-70	50	84	55	149	+20/-10	±6	∞
APFW-200/75	10-70	75	84	80	149	+20/-10	±6	∞
APFW-200/100	10-70	100	84	105	149	+20/-10	±6	∞
APFW-300/25	40-95	25	108	30	163	+30/-10	±10	∞
APFW-300/38	10-95	38	109	43	174	+30/-10	±10	∞
APFW-300/50	10-95	50	109	55	174	+30/-10	±10	∞
APFW-300/75	10-95	75	109	80	174	+30/-10	±10	∞
APFW-300/100	10-95	100	109	105	174	+30/-10	±10	∞
APFW-400/25	50-120	25	133	30	188	+40/-20	±15	∞
APFW-400/38	20-120	38	134	43	199	+40/-20	±15	∞
APFW-400/50	20-120	50	134	55	199	+40/-20	±15	∞
APFW-400/75	20-120	75	134	80	199	+40/-20	±15	∞
APFW-400/100	20-120	100	134	105	199	+40/-20	±15	∞



APF-200/50




APFW-200/38

- Vehicles and goods handling trucks with tyres of hard plastics. The permissible load dependant on tyre width is 6.5kg per every mm of tyre width.




APF-SM series – Heavy duty

Surface mounted floor joint covers incorporating serrated cover plates and side frames to provide an anti-slip surface. Ideal for situations with large vertical movement requirements. Easy to install, no blockout required.

Floor to floor covers

Model	Joint width (mm)	Exposed surface (mm)	Movement ± (mm)		
					
APF-200SM	83	273	+20/-10	±25	∞
APF-300SM	108	298	+30/-10	±35	∞
APF-400SM	133	323	+40/-20	±40	∞

Floor to wall covers

Model	Joint width (mm)	Exposed surface (mm)	Movement ± (mm)		
					
APFW-200SM	83	178	+20/-10	±25	∞
APFW-300SM	109	204	+30/-10	±35	∞
APFW-400SM	133	228	+40/-20	±40	∞

Colours and finishes

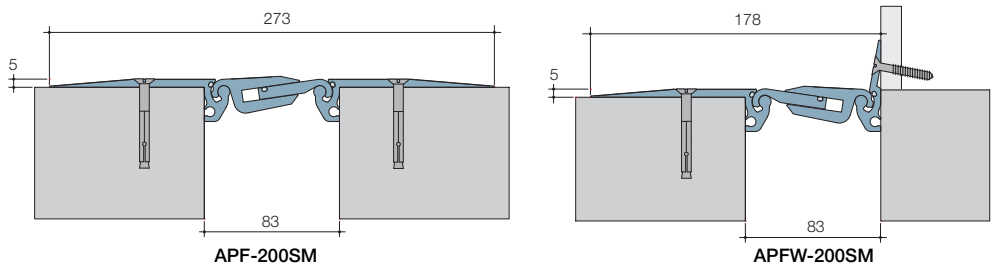
Aluminium sections are mill finished as standard, except for wall frames, which are supplied clear anodised.

Load capability

1000kg point load.

Accessories

Optional Fire Barriers, Moisture Barriers and Acoustic Barriers, see p.44-45 for details.



APF-200SM

APFW-200SM

METAL FLOOR JOINT COVERS

JOINTS TO 150MM – MOVEMENT UP TO ± 100 MM



Globe Academy, London

- Up to 100% horizontal movement of the joint width
- Standard and heavy duty options
- Tamperproof installations with no exposed fasteners
- Interior and exterior application options
- Suitable for most floor finishes
- Low maintenance

How it works

Free-floating centre plate spans joint and slides between frame assemblies to allow movement when required.



ALS series - Standard duty

Aluminium recess mounted floor joint covers for tamperproof applications where low maintenance is also required. This series offers up to 100% horizontal movement of the joint width. ALS-M models are suitable for new-to-existing applications.

Floor to floor covers

Model	Joint width (mm)	Exposed surface (mm)	Minimum recess required (mm)		Movement ± (mm)		
			Depth*	Width			
ALS-100	25	127	30	137	±25	±3	∞
ALS-200	50	197	30	207	±50	±3	∞
ALS-300	75	272	30	282	+100/-50	±3	∞
ALS-400	100	297	30	307	±75	±3	∞

New-to-existing floor to floor covers

Model	Joint width (mm)	Exposed surface (mm)	Minimum recess required (mm)		Movement ± (mm)		
			Depth*	Width			
ALS-100M	25	127	30	81	±12	±3	∞
ALS-200M	50	174	30	128	±25	±3	∞
ALS-300M	75	224	30	178	±38	±3	∞
ALS-400M	100	249	30	203	±38	±3	∞

*From FFL

Floor to wall covers

Model	Joint width (mm)	Exposed surface (mm)	Minimum recess required (mm)		Movement ± (mm)		
			Depth*	Width			
ALSW-100	25	76	30	81	±12	±3	∞
ALSW-200	50	124	30	129	±25	±3	∞
ALSW-300	75	175	30	180	±38	±3	∞
ALSW-400	100	199	30	204	±38	±3	∞

Colours and finishes

All exposed sections are supplied in clear anodised finish as standard (stainless steel and brass options are available). Other sections are mill finished as standard.

Load capability

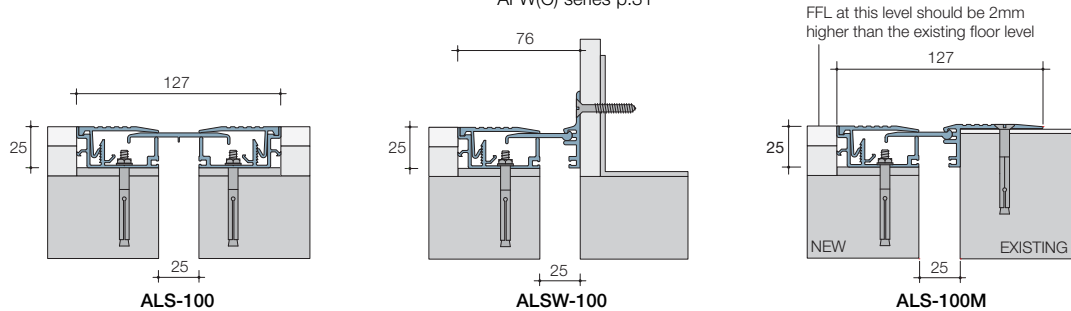
250kg point load.

Accessories

Optional Fire Barriers, Moisture Barriers and Acoustic Barriers, see p.44-45 for details.

Complementary wall/ceiling joint covers

AFW(C) series p.31



ALR series - Standard duty

Aluminium floor joint covers incorporating recessed cover plates helping to reduce visual impact. Up to 100% horizontal movement of the joint width can be accommodated. ALR-M models are suitable for new-to-existing applications.

Floor to floor covers

Model	Joint width (mm)	Exposed surface (mm)	Minimum recess required (mm)		Movement ± (mm)		
			Depth*	Width			
ALR-100	25	67	32	137	±25	±3	∞
ALR-200	50	92	34	206	±50	±3	∞
ALR-300	75	162	34	307	+100/-50	±3	∞
ALR-400	100	164	34	309	±75	±3	∞

New-to-existing floor to floor covers

Model	Joint width (mm)	Exposed surface (mm)	Minimum recess required (mm)		Movement ± (mm)		
			Depth*	Width			
ALR-100M	25	97	32	81	±12	±3	∞
ALR-200M	50	122	34	128	±25	±3	∞
ALR-300M	75	157	34	178	±38	±3	∞
ALR-400M	100	183	34	203	±38	±3	∞

*From FFL

Floor to wall covers

Model	Joint width (mm)	Exposed surface (mm)	Minimum recess required (mm)		Movement ± (mm)		
			Depth*	Width			
ALRW-100	25	46	32	81	±12	±3	∞
ALRW-200	50	71	34	128	±25	±3	∞
ALRW-300	75	132	34	204	±35	±3	∞
ALRW-400	100	132	34	204	±38	±3	∞

Colours and finishes

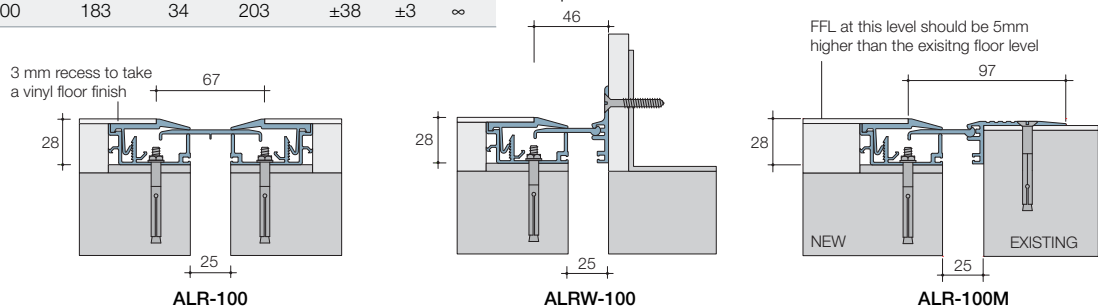
All exposed sections are supplied in clear anodised finish. Other sections are mill finished as standard.

Load capability

250kg point load.

Accessories

Optional Fire Barriers, Moisture Barriers and Acoustic Barriers, see p.44-45 for details.



AL-HD series – Heavy duty

Heavy duty aluminium floor joint covers utilising a free-floating centre plate held in position by cover plates. Suitable for use in areas with limited vehicular access. For areas where trolley traffic is prevalent, AL-HDC model, incorporating a secondary centre plate, is recommended. AL-HDM models have been designed for use in new-to-existing situations.

Floor to floor covers

Model	Joint width (mm)	Exposed surface (mm)	Minimum recess required (mm)		Movement ± (mm)		
			Depth*	Width			
AL-100HD	25	127	30	137	±20	0	∞
AL-200HD	50	228	30	238	±50	±3	∞
AL-300HD	75	291	30	301	+95/-40	±3	∞
AL-400HD	100	318	30	328	±65	±5	∞
AL-200HDC	50	228	30	238	±25	±3	∞

Colours and finishes

All sections are supplied mill finished as standard.

Load capability

1000kg point load.

Accessories

Optional Fire Barriers, Moisture Barriers and Acoustic Barriers, see p.44-45 for details.

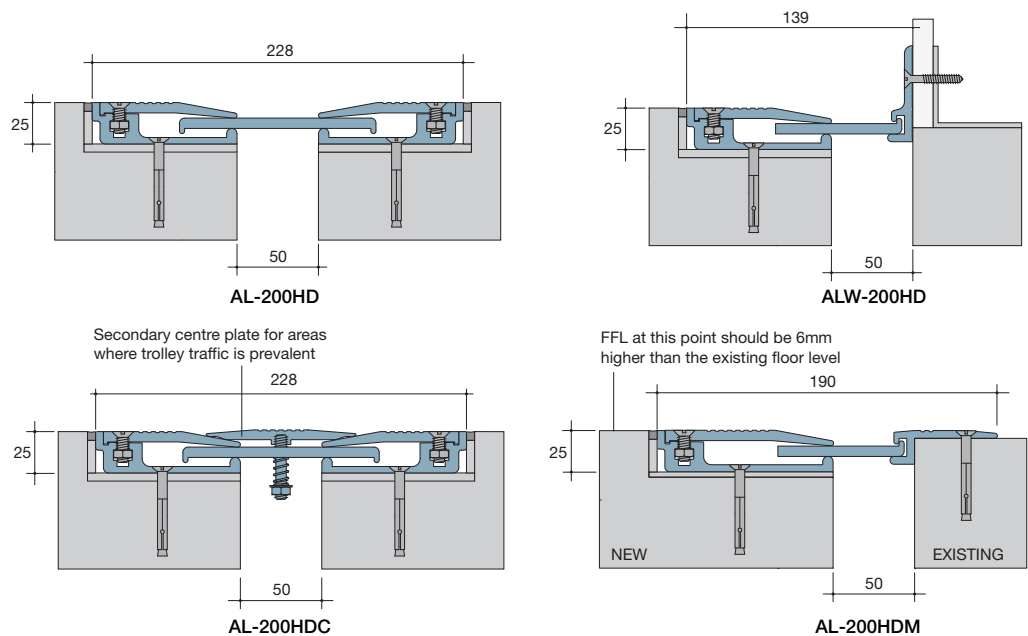
Floor to wall covers

Model	Joint width (mm)	Exposed surface (mm)	Minimum recess required (mm)		Movement ± (mm)		
			Depth*	Width			
ALW-100HD	25	76	30	81	±10	0	∞
ALW-200HD	50	139	30	144	±25	±3	∞
ALW-300HD	75	187	30	192	±35	±3	∞
ALW-400HD	100	208	30	213	±35	±5	∞

New-to-existing floor to floor covers

Model	Joint width (mm)	Exposed surface (mm)	Minimum recess required (mm)		Movement ± (mm)		
			Depth*	Width			
AL-200HDM	50	190	30	144	±25	±3	∞
AL-400HDM	100	248	30	202	±35	±3	∞

*From FFL






STAINLESS STEEL OPTIONS

SJP-SS series – Standard duty

Aluminium joint covers with a stainless steel cover plate sitting over a standard floor finish. Suitable for interior and exterior applications with wide joint openings and large movement requirements.

Floor to floor covers

Model	Joint width (mm)	Exposed surface (mm)	Minimum recess required (mm)		Movement ± (mm)		
			Depth*	Width			
SJP-200SS	50	114	46	162	±25	±2	∞
SJP-300SS	75	165	46	190	±50	±2	∞
SJP-400SS	100	191	46	213	±75	±2	∞
SJP-500SS	125	267	46	239	±100	±2	∞
SJP-600SS	150	302	46	264	±100	±2	∞

*From FFL

Colours and finishes

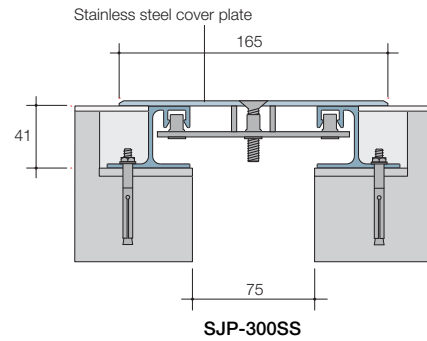
Centre plate is supplied in satin finished stainless steel. Aluminium sections are mill finished as standard.

Load capability

250kg point load.

Accessories




Optional Fire Barriers, Moisture Barriers and Acoustic Barriers, see p.44-45 for details.



SJ-SS (Standard duty) and SJ-HDSS (Heavy duty)

Metal joint covers with a stainless steel flush fitting cover plate. These bespoke models can offer a wide variety of movements depending on configuration. Standard and heavy duty options can be supplied. Please contact us for details.

Floor to floor covers

Model	Joint width (mm)	Exposed surface (mm)	Minimum recess required (mm)		Movement ± (mm)		
			Depth*	Width			
SJ-200SS	50	203	33	215	±25	±2	±12
SJ-200HDSS	50	203	37	215	±25	±2	±12

*From FFL

Colours and finishes

Centre plate and bearing plates are supplied in satin finished stainless steel. Aluminium sections are mill finished as standard.

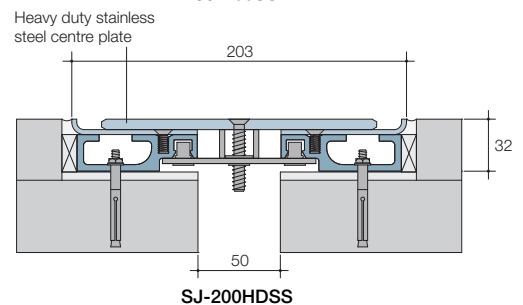
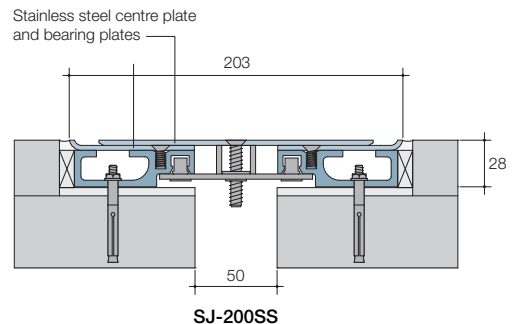
Load capability

Standard duty models - 250kg point load.

Heavy duty models - 1000kg point load.

Accessories

Optional Fire Barriers, Moisture Barriers and Acoustic Barriers, see p.44-45 for details.



COVER STRIPS

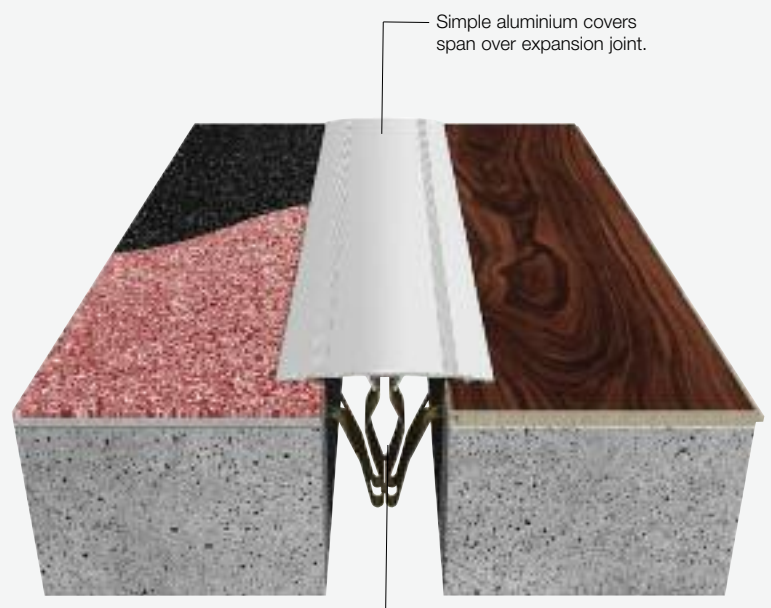
JOINTS TO 100MM – MOVEMENT UP TO +65MM AND -100MM



Topshop, Westfield Shopping Centre, London

- Surface mounted rigid cover strips and plates
- Quick and easy installation
- Interior applications
- Ideal for retrofit situations

How it works




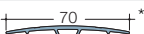

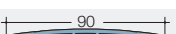
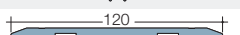

Simple aluminium covers span over expansion joint.

Aluminium clips hold the cover in position during the movement cycle.

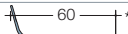
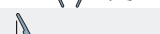
W series – Standard duty

Easy to install system of rigid strips for covering floor joints. Aluminium, brass and stainless steel options available. Strips are supplied in 3m lengths with all the necessary fastening accessories.

Floor to floor covers

Model	Joint width (mm)			Movement ± (mm)			Aluminium	Stainless steel	Fixing method
	Clip 15-35	Clip 35-85	Screw fixing	Clip 15-35	Clip 35-85	Screw fixing			
W50	25	-	-	±10	-	-		-	Clips
W70	25	-	-	±10	-	-			Clips
W90	25	50	-	±10	+25/-35	-		-	Clips
W120	25	50	-	±10	±35	-		-	Clips
W160	-	-	50	-	-	±50		-	Screws

Floor to wall covers

Model	Joint width (mm)		Movement ± (mm)		Aluminium	Stainless steel	Fixing method
	Clip 15-35	Clip 35-85	Clip 15-35	Clip 35-85			
W70A	30	-	±10	-		-	Clips
W90A	-	50	-	±15		-	Clips

* Brass versions available

Colours and finishes

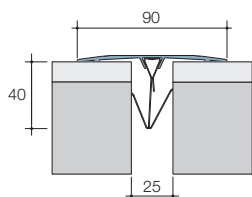
Aluminium strips are clear anodised as standard (powder coated upon request). Brass strips are supplied in polished brass, and stainless steel covers are satin polished as standard.

Load capability

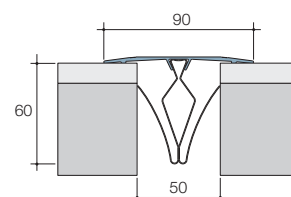
250kg point load.

Complementary wall/ceiling joint covers

W series p.32



W90 cover over 25mm joint






W90 cover over 50mm joint




PC series – Standard duty

Simple aluminium cover plates surface mounted over floor finishes.

Floor to floor covers

Model	Joint width (mm)	Exposed surface (mm)	Movement ± (mm)		
					
PC-100	25	95	±25	±2	∞
PC-200	50	133	+40/-50	±2	∞
PC-300	75	171	+50/-75	±2	∞
PC-400	100	210	+65/-100	±2	∞

Floor to floor covers

Model	Joint width (mm)	Exposed surface (mm)	Movement ± (mm)		
					
PCW-100	25	57	±25	±2	∞
PCW-200	50	95	+40/-50	±2	∞
PCW-300	75	133	+50/-75	±2	∞
PCW-400	100	171	+65/-100	±2	∞

Colours and finishes

Aluminium cover plates are supplied in clear anodised finish as standard. Stainless steel options can be offered upon request.

Accessories

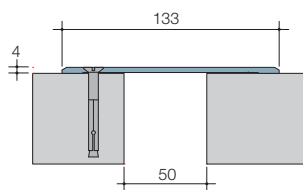
Optional Fire Barriers, Moisture Barriers and Acoustic Barriers, see p.44-45 for details.

Load capability

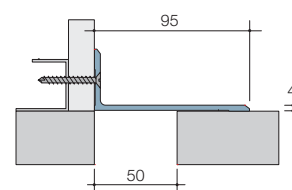
250kg point load.

Complementary wall/ceiling joint covers

SMN(C) series p.31



PC-200



PCW-200

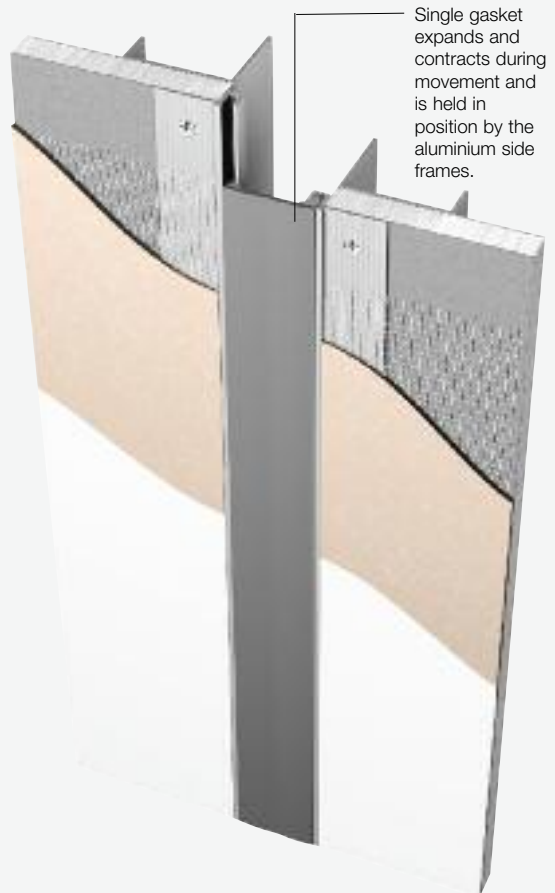
GASKETED WALL/CEILING JOINT COVERS

JOINTS TO 150MM – MOVEMENT UP TO +150MM AND -105MM



- Wall and ceiling joint applications
- Single or dual gasketed models
- Replaceable gaskets
- Interior applications only
- Suitable for most wall and ceiling finishes – frame configuration variable to suit selected finish

How it works



FGFS series

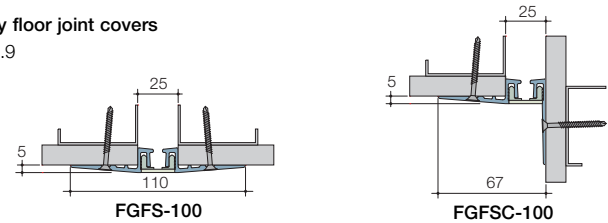
Surface mounted wall joint covers suitable for all wall finishes. Easy installation.

Wall to wall covers				Corner wall or wall to ceiling covers							
Model	Joint width (mm)	Exposed surface (mm)	Movement ± (mm)			Model	Joint width (mm)	Exposed surface (mm)	Movement ± (mm)		
FGFS-80	20	105	±3	±1	±1	FGFSC-80	20	63	±3	±1	±1
FGFS-100	25	110	±5	±5	±2	FGFSC-100	25	67	±5	±5	±2
FGFS-200	50	130	±10	±10	±3	FGFSC-200	50	90	±10	±10	±3

Colours and finishes
Aluminium sections are clear anodised as standard. C/S TPR Gasket is available in four standard colours‡. Other colours can be supplied subject to minimum quantity.

Accessories
Optional Fire Barriers and Acoustic Barriers, see p.44-45 for details.

Complementary floor joint covers
GFS(W) series p.9



FWF series

Flush fitting joint covers suitable for dry lined walls or ceilings. Side frames are surface mounted to the substrate and are slightly recessed to allow taping and jointing. Ideal for applications where minimal visual impact is preferred and/or where hygiene is important

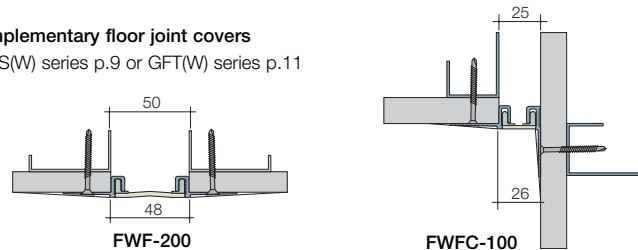
Wall or ceiling covers				Corner wall or wall to ceiling covers							
Model	Joint width* (mm)	Exposed surface (mm)	Movement ± (mm)			Model	Joint width* (mm)	Exposed surface (mm)	Movement ± (mm)		
FWF-80	20	21	±3	±1	±1	FWFC-80	20	21	±3	±1	±1
FWF-100	25	27	±5	±5	±2	FWFC-100	25	26	±5	±5	±2
FWF-200	50	48	±10	±10	±3	FWFC-200	50	49	±10	±10	±3
FWF-300	75	75	+35/-50	±15	±3	FWFC-300	75	75	+35/-50	±15	±3
FWF-400	100	100	+50/-75	±15	±3	FWFC-400	100	100	+50/-75	±15	±3
FWF-500	125	125	+65/-100	±15	±3	FWFC-500	125	125	+65/-100	±15	±3

* Larger sizes available, contact us for details.

Colours and finishes
Aluminium sections are mill finished as standard. C/S TPR Gasket is available in four standard colours‡. Other colours can be supplied subject to minimum quantity.

Accessories
Optional Fire Barriers and Acoustic Barriers, see p.44-45 for details.

Complementary floor joint covers
GFPS(W) series p.9 or GFT(W) series p.11



FWFP series

Flush finish recess mounted expansion joint covers designed for use with plaster finished walls. Unobtrusive models suitable for applications in areas where hygiene is important.

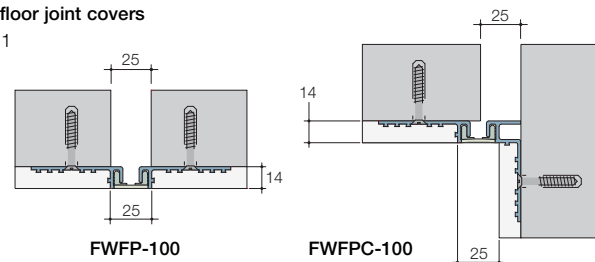
Wall to wall covers				Corner wall or wall to ceiling covers							
Model	Joint width (mm)	Exposed surface (mm)	Movement ± (mm)			Model	Joint width (mm)	Exposed surface (mm)	Movement ± (mm)		
FWFP-100	25	25	±5	±5	±2	FWFPC-100	25	25	±5	±5	±2
FWFP-200	50	50	±10	±10	±3	FWFPC-200	50	50	±10	±10	±3

Colours and finishes
Aluminium sections are mill finished as standard. C/S TPR Gasket is available in four standard colours‡. Other colours can be supplied subject to minimum quantity.

Accessories
Optional Fire Barriers and Acoustic Barriers, see p.44-45 for details.

Complementary floor joint covers
GFT(W) series p.11

Complementary floor joint covers
GFT(W) series p.11



‡Standard TPR Gasket Colours

Black

White




Grey

Greige

FWS series

Wall or ceiling covers incorporating a 'concertina' type gasket. Side frames are surface mounted to the substrate and include a slight recess to allow taping and jointing.

Wall or ceiling covers

Model	Joint width* (mm)	Exposed surface (mm)	Movement ± (mm)		
					
FWS-200	50	50	+50/-25	±10	±6
FWS-300	75	75	+75/-50	±15	±6
FWS-400	100	100	+100/-75	±15	±6
FWS-500	125	125	+125/-80	±20	±6
FWS-600	150	150	+150/-105	±20	±6

* Larger sizes available, contact us for details.




Colours and finishes

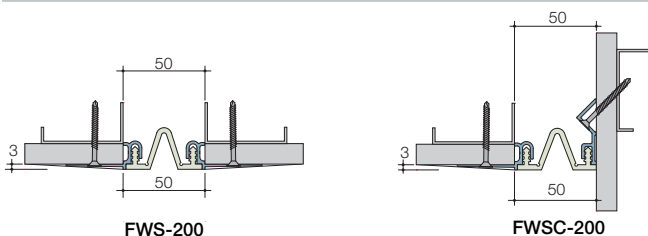
Aluminium sections are mill finished as standard. C/S Santoprene Gasket is available in four standard colours‡. Other colours can be supplied subject to minimum quantity.

Accessories

Optional Fire Barriers and Acoustic Barriers, see p.44-45 for details.

Corner wall or wall to ceiling covers




Model	Joint width* (mm)	Exposed surface (mm)	Movement ± (mm)		
					
FWSC-200	50	50	+50/-25	±10	±6
FWSC-300	75	75	+75/-50	±15	±6
FWSC-400	100	100	+100/-75	±15	±6
FWSC-500	125	125	+125/-80	±20	±6
FWSC-600	150	150	+150/-105	±20	±6



FWS-M series

Recess mounted wall joint covers incorporating a 'concertina' type gasket. These models are suitable for application in situations where surface mounting is not practical (e.g. walls finished with cladding).

Wall covers

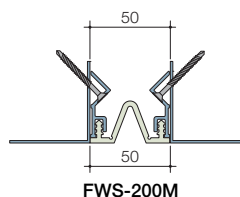
Model	Joint width (mm)	Exposed surface (mm)	Movement ± (mm)		
					
FWS-200M	50	50	+50/-15	±10	±6
FWS-300M	75	75	+75/-30	±15	±6
FWS-400M	100	100	+100/-55	±15	±6

Colours and finishes

Aluminium sections are mill finished as standard. C/S Santoprene Gasket is available in four standard colours‡. Other colours can be supplied subject to minimum quantity.

Accessories




Optional Fire Barriers and Acoustic Barriers, see p.44-45 for details.



FCS series

Concertina type, suspended ceiling joint covers, offering minimal visual impact.

Ceiling to ceiling covers




Model	Joint width* (mm)	Exposed surface (mm)	Movement ± (mm)		
					
FCS-200	50	50	+50/-25	±10	±6
FCS-300	75	75	+75/-50	±15	±6
FCS-400	100	100	+100/-75	±15	±6

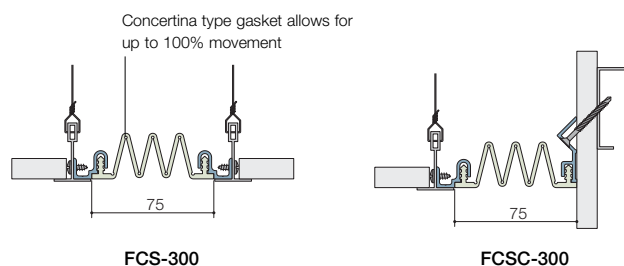
* Larger sizes available, contact us for details.

Colours and finishes

Aluminium sections are mill finished as standard. C/S Santoprene Gasket is available in four standard colours‡. Other colours can be supplied subject to minimum quantity.

Ceiling to wall covers

Model	Joint width* (mm)	Exposed surface (mm)	Movement ± (mm)		
					
FCSC-200	50	50	+50/-25	±10	±6
FCSC-300	75	75	+75/-50	±15	±6
FCSC-400	100	100	+100/-75	±15	±6



‡Standard Gasket Colours

Black

White

Grey

Greige

FCF series

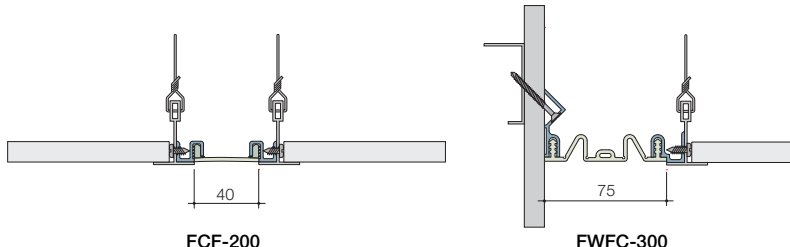
Flush gasketed suspended ceiling joint covers offering minimal visual impact.

Ceiling to ceiling covers						Ceiling to wall covers					
Model	Joint width* (mm)	Exposed surface (mm)	Movement ± (mm)			Model	Joint width* (mm)	Exposed surface (mm)	Movement ± (mm)		
FCF-80	20	21	±3	±1	±1	FCFC-80	20	21	±3	±1	±1
FCF-100	25	20	±5	±5	±2	FCFC-100	25	20	±5	±5	±2
FCF-200	50	40	+10	±10	±5	FCFC-200	50	45	±10	±10	±5
FCF-300	75	75	+35/-25	±15	±9	FCFC-300	75	75	+35/-25	±15	±9
FCF-400	100	100	+50/-75	±15	±12	FCFC-400	100	100	+50/-75	±15	±12

* Larger sizes available, contact us for details.

Colours and finishes

Aluminium sections are mill finished as standard. C/S Santoprene Gasket is available in four standard colours‡. Other colours can be supplied subject to minimum quantity.



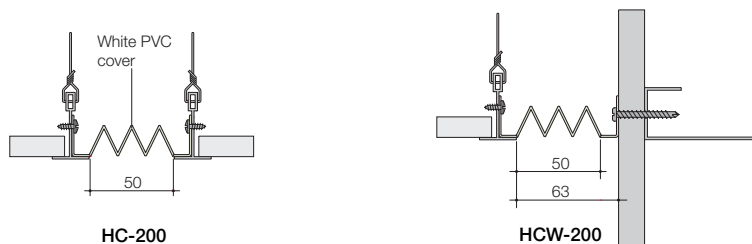
HC series

Simple, white PVC covers which are mechanically attached to ceiling grid or wall.

Ceiling to ceiling covers						Ceiling to wall covers					
Model	Joint width* (mm)	Exposed surface (mm)	Movement ± (mm)			Model	Joint width* (mm)	Exposed surface (mm)	Movement ± (mm)		
HC-100	25	25	±25	±10	±3	HCW-100	25	36	±25	±10	±3
HC-200	50	50	±50	±10	±3	HCW-200	50	63	±50	±10	±3
HC-300	75	75	±75	±15	±3	HCW-300	75	87	±75	±15	±3
HC-400	100	100	±100	±15	±3	HCW-400	100	112	±100	±15	±3

Colours and finishes

Concertina type PVC cover is only available in White.



GTW series

Wall or ceiling covers with flush aluminium centre plate and dual C/S TPR Gasket. Ideal for areas with larger thermal movement requirements, suitable for most wall and ceiling finishes.

Wall or ceiling covers							Corner wall or wall to ceiling covers								
Model	Joint width* (mm)	Exposed surface (mm)	Recess required (mm)		Movement ± (mm)			Model	Joint width* (mm)	Exposed surface (mm)	Recess required (mm)		Movement ± (mm)		
			Depth	Width							Depth	Width			
GTW-200	50	164	16	164	+20	±8	±6	GTWC-200	50	107	16	107	±10	±2	±3
GTW-300	75	253	16	253	+38	±12	±8	GTWC-300	75	164	16	164	±19	±3	±4
GTW-400	100	278	16	278	+38	±15	±8	GTWC-400	100	190	16	190	±19	±5	±4

* Larger sizes available, contact us for details.

Colours and finishes

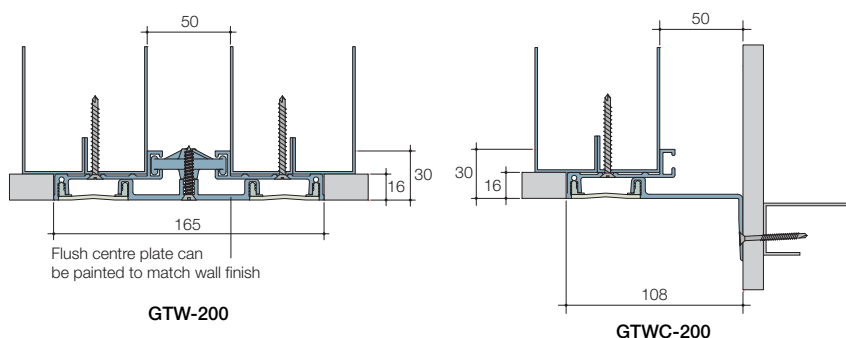
Aluminium sections are mill finished as standard. C/S TPR Gasket is available in four standard colours‡. Other colours can be supplied subject to minimum quantity.

Accessories

Optional Fire Barriers and Acoustic Barriers, see p.44-45 for details.

Complementary floor joint covers

DGTP(W) & GTP(W); DGTR(W) & GTR(W); DGTRD(W) & GTRD(W); DGTP(W)-HD & GTP(W)-HD p15-17



‡Standard Gasket Colours



METAL WALL/CEILING JOINT COVERS

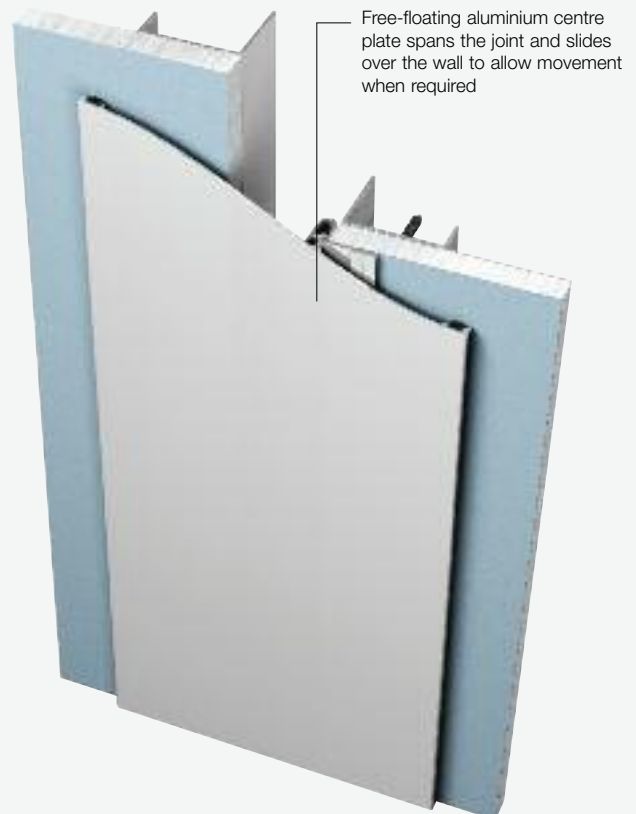
JOINTS TO 100MM – MOVEMENT UP TO ± 75 MM



Banner Gateway Medical Centre, U.S.A.

- Surface and recess mounted models
- Interior application
- Covers are clear anodised as standard, or can be painted to match wall finish
- Low maintenance
- Tamper-resistant




How it works






SMN series

Surface mounted aluminium wall joint covers, which can also be used as ceiling covers where the construction permits. Easy to install, they are often used for masonry applications where flush covers cannot be mounted into the wall structure.

Wall or ceiling covers

Model	Joint width (mm)	Exposed surface (mm)	Movement ± (mm)		
					
SM-100N	25	127	+40/-15	±3	±5
SM-200N	50	197	+60/-40	±4	±5

Corner wall or wall to ceiling covers

Model	Joint width (mm)	Exposed surface (mm)		Movement ± (mm)		
		A	B			
SMC-100N	25	76	46	+40/-12	±3	±5
SMC-200N	50	124	47	+60/-35	±4	±5

Colours and finishes

Aluminium covers are clear anodised as standard. Polyester powder coating available subject to minimum quantity.

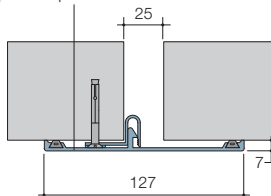
Accessories

Optional Fire Barriers and Acoustic Barriers, see p.44-45 for details.

Complementary floor joint covers

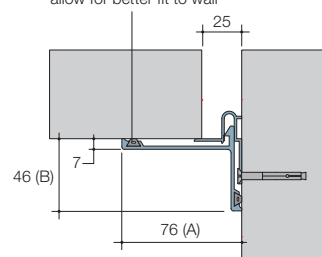
PC(W) series page p.25

Cover snaps into a continuous anchor clip for simple installation



SM-100N

Gaskets on cover edges allow for better fit to wall






SMC-100N

AFW series




Recess mounted aluminium wall and ceiling covers for interior applications where low maintenance or tamper-resistance are required.

Wall or ceiling covers

Model	Joint width (mm)	Exposed surface (mm)	Recess required (mm)		Movement ± (mm)		
			Depth	Width			
AFW-100	25	127	16	127	±20	±2	∞
AFW-200	50	197	16	197	±40	±3	∞
AFW-300	75	271	16	271	±75	±3	∞
AFW-400	100	293	16	293	±75	±3	∞

* Refer to Product Data Sheet, please contact us for a copy.

Corner wall or wall to ceiling covers

Model	Joint width (mm)	Exposed surface (mm)		Recess required (mm)		Movement ± (mm)		
		A	B	Depth	Width			
AFWC-100	25	60	51	16	*	±10	±2	∞
AFWC-200	50	108	76	16	*	±20	±3	∞
AFWC-300	75	157	133	16	*	±38	±3	∞
AFWC-400	100	182	133	16	*	±38	±3	∞

Colours and finishes

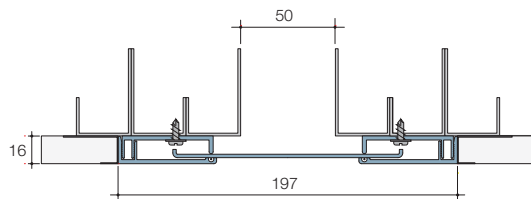
Exposed aluminium sections are clear anodised as standard or can be polyester powder coated (subject to minimum quantity). All other sections are supplied mill finished.

Accessories

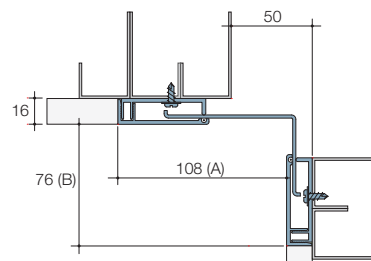
Optional Fire Barriers and Acoustic Barriers, see p.44-45 for details.

Complementary floor joint covers

ALS(W) series p. 21



AFW-200



AFWC-200

COVER STRIPS FOR WALLS

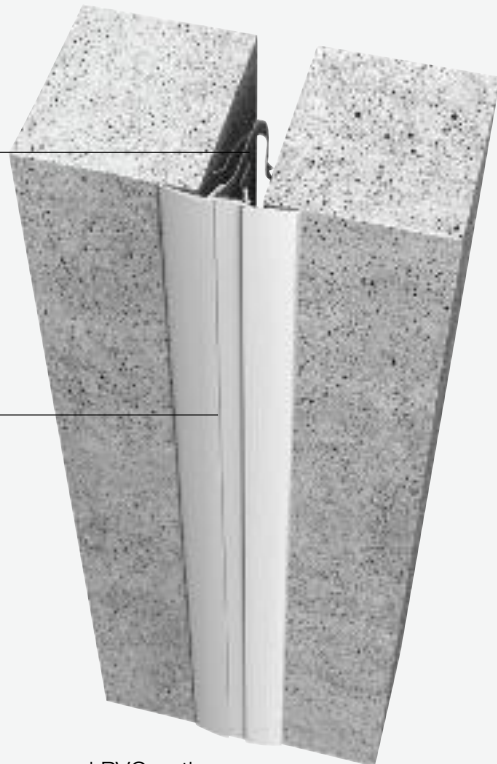
JOINTS TO 50MM – MOVEMENT UP TO ±35MM

How it works

- Surface mounted rigid cover strips
- Quick and easy installation
- Interior applications

Aluminium clips hold the cover in position during the movement cycle





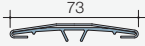


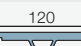
Simple aluminium covers span over expansion joint



W series

Rigid strips for covering wall joints, available in aluminium, stainless steel, brass and PVC options. Strips are supplied in 3m lengths with all the necessary fastening accessories.

Wall to wall covers

Model	Joint width (mm)		Movement ± (mm)		Aluminium	Stainless steel	PVC	Fixing method
	Clip	Clip	Clip	Clip				
	15-35	35-85	15-35	35-85				
W30	25	-	+5/-10	-		-	-	Clips
W50	25	-	±10	-		-		Clips
W70	25	-	±10	-				Clips
W90	25	50	±10	+25/-35		-	-	Clips
W120	25	50	±10	±35		-	-	Clips

Corner wall covers

Model	Joint width (mm)		Movement ± (mm)		Aluminium	PVC	Fixing method
	Clip	Clip	Clip	Clip			
	15-35	35-85	15-35	35-85			
W70A	30	-	±10	-		-	Clips
W90A	-	50	-	±15		-	Clips

* Brass versions available

Colours and finishes

Aluminium strips are clear anodised as standard (powder coated upon request) PVC strips are available in White, Grey, Sand or Brown as standard. Brass strips are supplied in polished brass and stainless steel covers are satin polished as standard.

Complementary floor covers

W series p.25

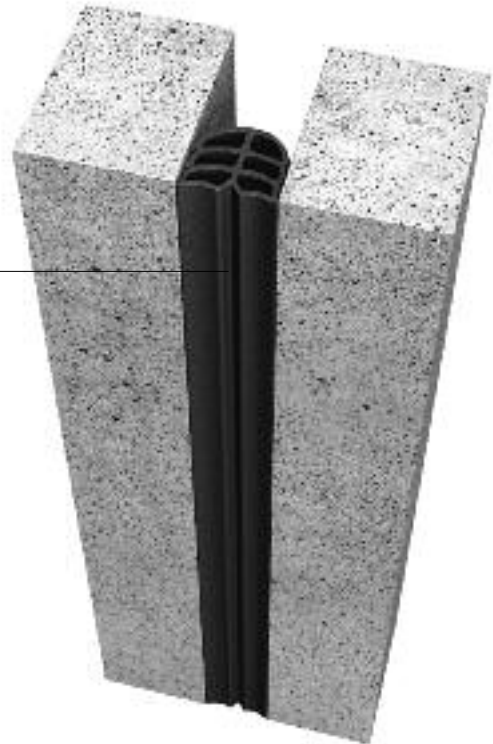
COMPRESSION STRIPS FOR WALLS

JOINTS TO 66MM – MOVEMENT UP TO ±6MM

- Recess mounted flexible rubber sections
- Quick and easy installation
- Interior or exterior applications

How it works

Flexible synthetic rubber sections are compressed and pushed into the joint.



JD series

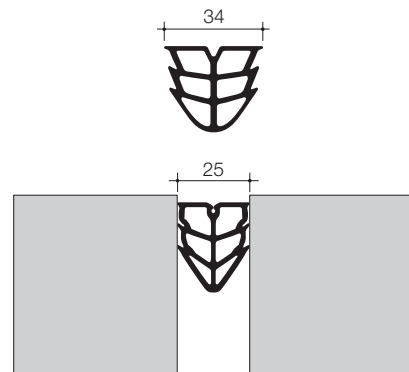
Made of extruded synthetic rubber, JD compression strips are suitable for interior and exterior wall applications.

Wall to wall covers

Model	Strip size (mm)		Joint width (mm)	Minimum joint depth (mm)	Movement ± (mm)	Packaging (m)
	Width	Depth				
JD-16	16	16	10	25	±2	50
JD-18	18	16	13	25	±2	50
JD-25	25	20	18	30	±3	50
JD-34	34	30	25	40	±3	25
JD-42	42	30	30	45	±4	25
JD-63	63	43	50	70	±5	25
JD-83	83	60	66	90	±6	25

Colours and finishes

Black as standard, models JD-16 – JD-42 are also available in Grey and Sand.



JD-34

GASKETED CAR PARK AND STADIA JOINT COVERS

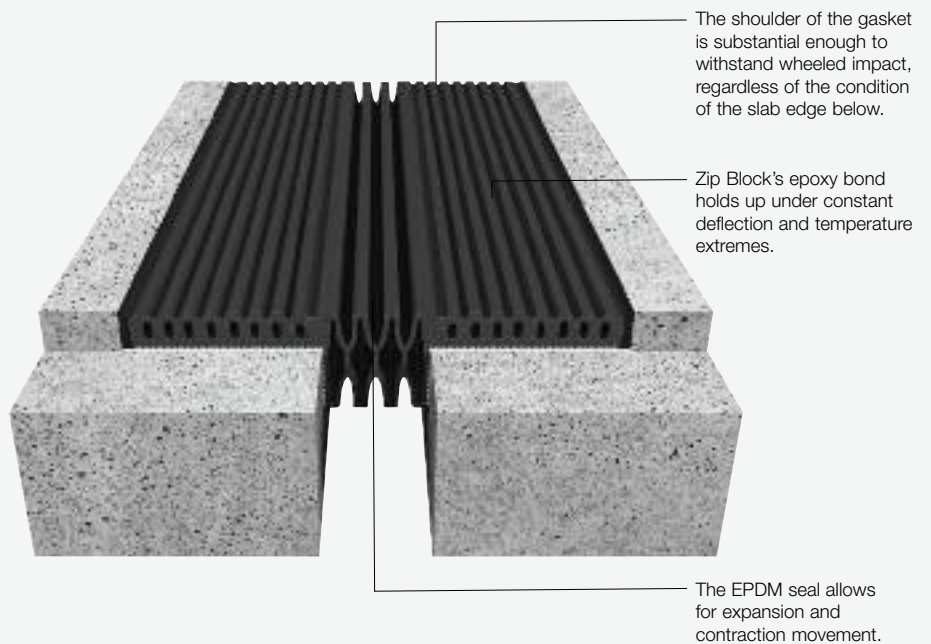
JOINTS TO 100MM – MOVEMENT UP TO ± 60 MM



Canary Wharf Car Park, London

- Interior and exterior applications
- Watertight solutions
- Capable of withstanding regular vehicular movement

How it works



ZB series

Zip Block (ZB) is a one-piece, extruded EPDM elastomeric seal with integral nosings, which is bonded to the substrate with high strength epoxy adhesive. This water resistant system can be installed over green concrete and is also suitable for retro-fit applications.

Floor to floor covers

Model	Joint width (mm)	Exposed surface (mm)	Minimum recess required (mm)		Movement ± (mm)		
			Depth*	Width			
ZB-100	25	203	19	203	±12	±10	±5
ZB-200	50	228	19	228	±25	±10	±5
ZB-300	75	254	19	254	±38	±12	±7
ZB-400	100	278	19	278	±50	±15	±15

* From FFL

Floor to wall covers

Model	Joint width (mm)	Exposed surface (mm)	Minimum recess required (mm)		Movement ± (mm)		
			Depth*	Width			
ZBW-100	25	114	19	114	±12	±10	±5
ZBW-200	50	139	19	139	±25	±10	±5
ZBW-300	75	164	19	164	±38	±12	±7
ZBW-400	100	189	19	189	±50	±15	±15

* From FFL

Colours and finishes

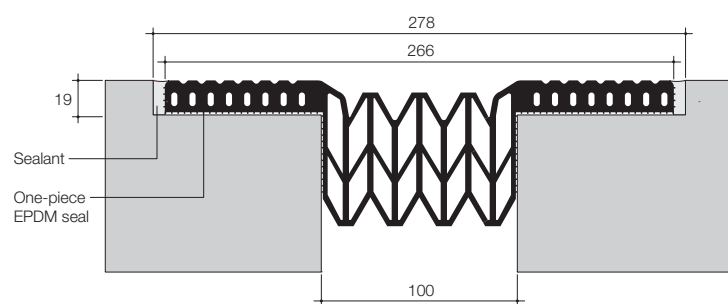
Black as standard.

Load capability

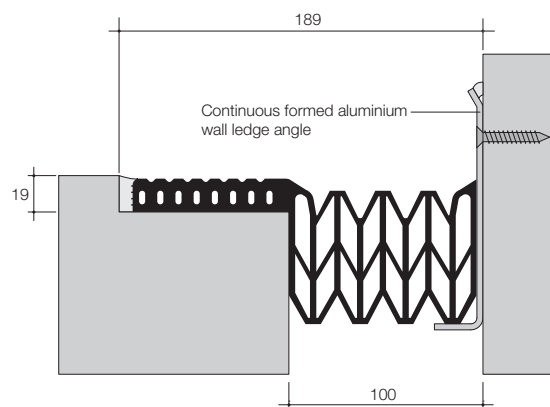
1000kg point load.

Accessories

Optional Fire Barriers
see p.44-45 for details.

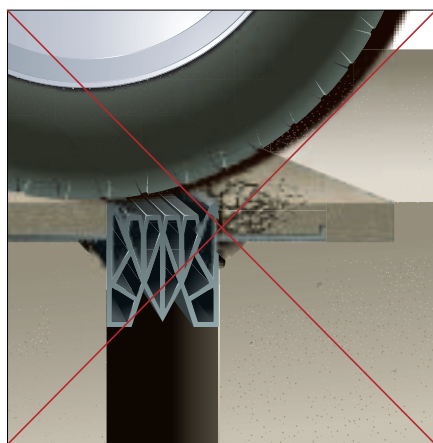


ZB-400



ZBW-400

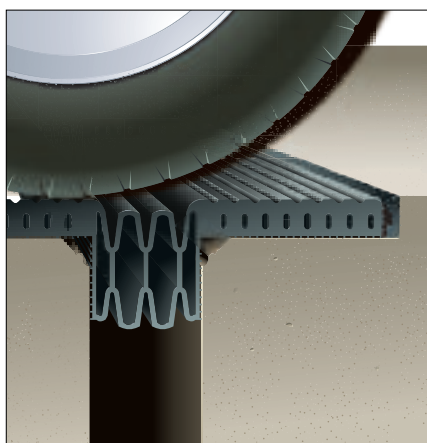
Durable design



PROBLEM WITH TRADITIONAL METHODS

Winged seals with elastomeric concrete fail regularly.

Wheeled impact causes hairline cracks in elastomeric concrete in typical applications. Through further wheeled impact, cracking becomes more severe until the seal's wing pulls away.



C/S SOLUTION

Zip Block – a one-piece EPDM system.

The shoulder of the Zip Block is substantial enough to withstand wheeled impact (even snow ploughs), regardless of the condition of the slab edge below. ZB's epoxy bond holds up under constant deflection and temperature extremes.






RIGOROUS TESTING

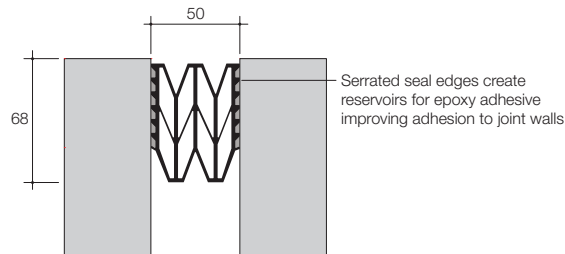
Zip Block was subjected to rigorous testing, including rolling loads of 1,350 kg per wheel, with simultaneous vertical slab deflection; sub-zero temperature testing, including several freeze-thaw cycles; and all applicable ASTM cycling tests. At 35,000 cycles the seal exhibited no wear or tear from the rolling load. The seal was also tested to simulate shear stress created by a rapidly moving vehicle braking abruptly. The result is a seal you can depend on, backed by our full product warranty.

HB series

A one-piece extruded EPDM elastomeric seal bonded into a high-strength epoxy adhesive to create a watertight system. Serrated edges create epoxy reservoirs and improve adhesion of the seal to joint walls. The closed cell design allows the system to achieve +/-50% movement capability.

Floor to floor

Model	Joint width (mm)	Exposed surface (mm)	Movement ± (mm)		
					
HB-100	25	25	±12	±5	±5
HB-200	50	50	±25	±10	±10
HB-300	75	75	±38	±10	±10
HB-400	100	100	±50	±10	±15



HB-200

Colours and finishes

Black as standard.




Accessories

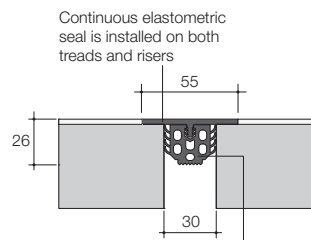
Optional Fire Barriers, see p.44-45 for details.

TES Terrace Seal

Water resistant two-part expansion seal for terrace joints.

Floor to floor

Model	Joint width range (mm)	Exposed surface (mm)	Minimum joint depth required (mm)	Movement ± (mm)		
						
TES-100	25-35	55	26	±2	±2	±2



TES-100

Colours and finishes

Black as standard, other colours available subject to minimum quantity.




Accessories

Optional Fire Barriers, see p.44-45 for details.

CSSF series

Recess mounted covers comprising Neoprene compression gasket bonded with epoxy adhesive to aluminium side frames. Suitable for interior and exterior applications.

Floor to floor

Model	Joint width (mm)	Frame depth (mm)	Exposed surface (mm)	Minimum recess required (mm)		Movement ± (mm)		
				Depth	Width			
CSSF-100	25	64	45	69	147	±15	±3	±2
CSSF-200	50	76	62	81	164	±22	±5	±3

* From FFL

Colours and finishes

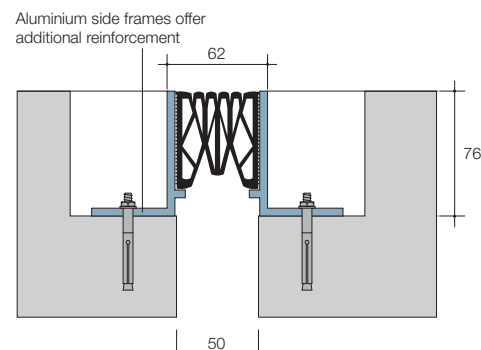
Aluminium sections are mill finished and gasket is supplied Black as standard (other colours available subject to minimum quantity).

Load capability

1000kg point load.

Accessories

Optional Fire Barriers, see p.44-45 for details.






CSSF-200




PDA and PDS series

Watertight systems available in four standard frame depths to suit project requirements and supplied with either aluminium (PDA) or stainless steel (PDS) capping. The systems incorporate an extruded Santoprene gasket, capable of accommodating up to +/- 60% of movement of the joint width. PVC wing seals can be used to tie the system into waterproofing. Standard and heavy duty (BT) options are available. Suitable for interior and exterior applications.

Floor to floor

Model	Joint width (mm)	Frame depth (mm)	Exposed surface (mm)	Minimum recess required (mm)		Movement ± (mm)		
				Depth*	Width**			
PDA/PDS-200/50	50	50	121	55	197	±30	±5	±12
PDA/PDS-200/75	50	75	121	80	197	±30	±5	±12
PDA/PDS-200/100	50	100	121	105	197	±30	±5	±12
PDA/PDS-200/125	50	125	121	130	197	±30	±5	±12
PDA/PDS-400/50	100	50	173	55	250	±60	±15	±25
PDA/PDS-400/75	100	75	173	80	250	±60	±15	±25
PDA/PDS-400/100	100	100	173	105	250	±60	±15	±25
PDA/PDS-400/125	100	125	173	130	250	±60	±15	±25

Floor to wall

Model	Joint width (mm)	Frame depth (mm)	Exposed surface (mm)	Minimum recess required (mm)		Movement ± (mm)		
				Depth*	Width**			
PDAW/PDSW-200/50	50	50	86	55	124	±30	±5	±12
PDAW/PDSW-200/75	50	75	86	80	124	±30	±5	±12
PDAW/PDSW-200/100	50	100	86	105	124	±30	±5	±12
PDAW/PDSW-200/125	50	125	86	130	124	±30	±5	±12
PDAW/PDSW-400/50	100	50	137	55	175	±60	±15	±25
PDAW/PDSW-400/75	100	75	137	80	175	±60	±15	±25
PDAW/PDSW-400/100	100	100	137	105	175	±60	±15	±25
PDAW/PDSW-400/125	100	125	137	130	175	±60	±15	±25

* From FFL

** Applicable to recessed concrete floor installation with short wing seals

Colours and finishes

Aluminium sections are mill finished, stainless steel capping is supplied unpolished and Santoprene gasket Black as standard.

Load capability

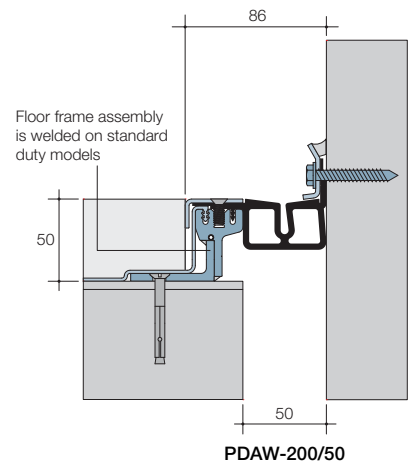
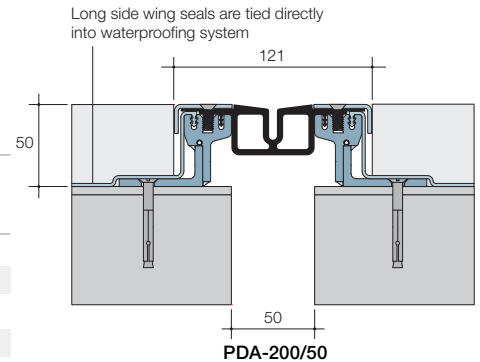
Standard models (welded) - 250kg point load

Heavy duty models (bolted) - 1000kg point load

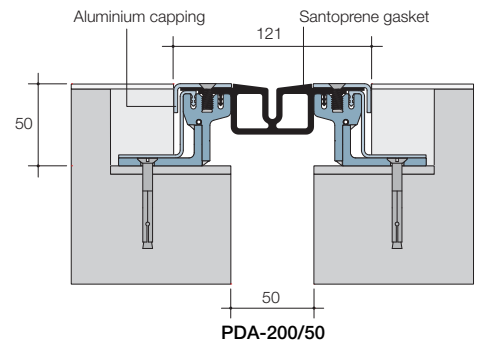
Accessories

Optional Fire Barriers, see p.44-45 for details.

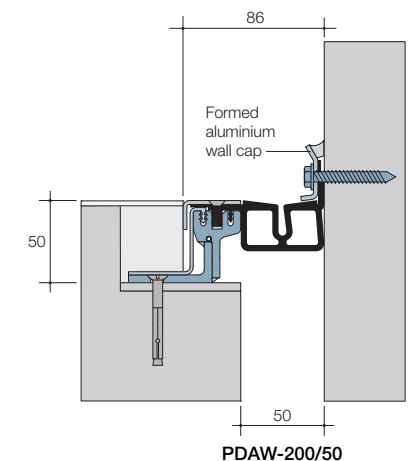
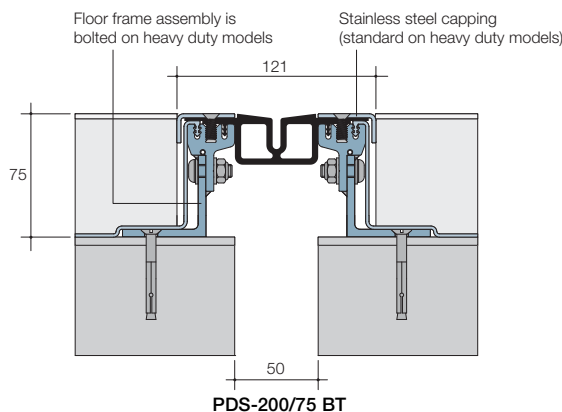
Long wing seals for bituminous surfacing applications



Short side wing seals for coated concrete floor applications



Heavy duty model (example)



METAL CAR PARK AND STADIA JOINT COVERS

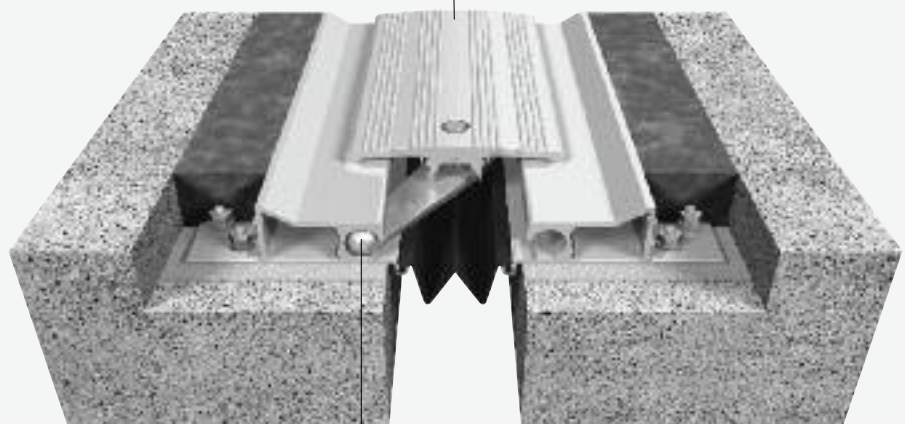
JOINTS TO 250MM – MOVEMENT UP TO ± 140 MM AND -125MM



Boise State University Car Park, USA

- Durable covers for interior and exterior applications
- Multi-directional movement

How it works



Free-floating aluminium centre plate spans joint and slides between frame assemblies to allow movement when required.

Unique design of the turnbar assembly and bolt housing shields the assembly from damage caused by impact of vehicular traffic.

KB series

All metal expansion joint covers for parking structures, featuring patented turnbar housing which reduces lateral load damage. Special design of the centre plate offers maximum strength yet minimal interference with pedestrians. KB joints are supplied with a Moisture Barrier as standard.

Floor to floor covers

Model	Joint width (mm)	Exposed surface (mm)	Minimum recess required (mm)		Movement ± (mm)		
			Depth*	Width			
KB-400	100	286	56	416	±50	±25	±50
KB-500	125	387	56	518	+100/-75	±25	±63
KB-600	150	413	55	543	+85/-100	±25	±75
KB-700	175	489	55	620	+140/-100	±25	±85
KB-800	200	514	55	645	+115/-125	±25	±100

* From FFL

Colours and finishes

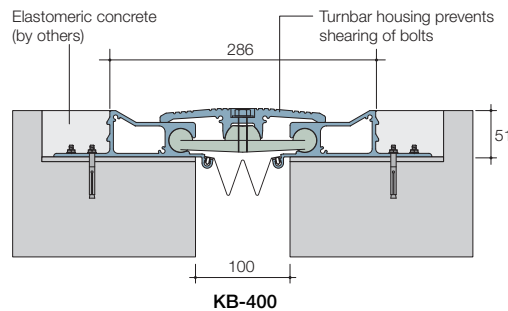
All aluminium sections are mill finished as standard.

Load capability

1000kg point load.

Accessories

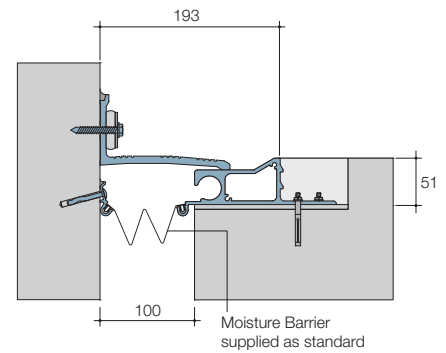
Optional Fire Barriers, see p.44 for details.



KB-400

Floor to wall covers

Model	Joint width (mm)	Exposed surface (mm)	Minimum recess required (mm)		Movement ± (mm)		
			Depth*	Width			
KBW-400	100	193	56	259	±25	±25	±50
KBW-500	125	257	56	322	+70/-25	±25	±63
KBW-600	150	283	55	348	+45/-50	±25	±75
KBW-700	175	333	55	399	+80/-35	±25	±85
KBW-800	200	359	55	424	+55/-60	±25	±100



KBW-400

PTC series

The design of these joint covers allows for the vertical displacement of the adjacent floor slabs. The unique damper system prevents the cover plate from 'flapping' noisily under dynamic traffic loads. The centre plate is fully interchangeable.

Floor to floor covers

Model	Joint width* (mm)	Exposed surface (mm)	Minimum recess required (mm)		Movement ± (mm)		
			Depth**	Width			
PTC-600	150	499	55	585	±75	±25	±50
PTC-700	175	524	55	611	±85	±25	±50
PTC-800	200	550	55	636	±100	±25	±50
PTC-900	225	575	55	662	±110	±25	±50
PTC-1000	250	626	55	712	±125	±25	±50

* Larger sizes available, contact us for details

** From FFL

Colours and finishes

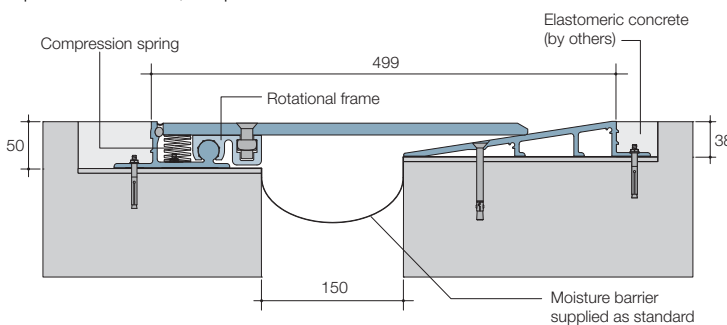
Aluminium sections are mill finished as standard. Stainless steel option is available for the centre plate.

Load capability

1000kg point load.

Accessories

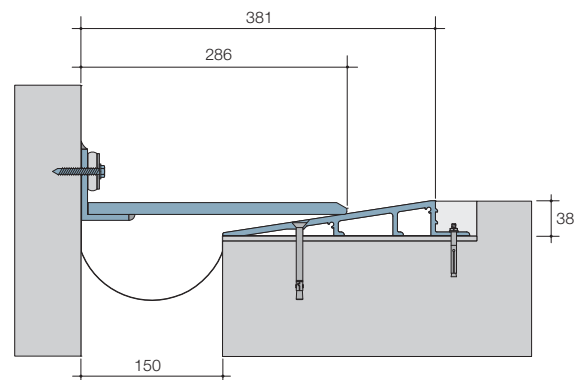
Optional Fire Barriers, see p.44 for details.



PTC-600

Floor to wall covers

Model	Joint width* (mm)	Exposed surface (mm)	Minimum recess required (mm)		Movement ± (mm)		
			Depth**	Width			
PTCW-600	150	381	43	430	±75	±25	±25
PTCW-700	175	406	43	448	±85	±25	±25
PTCW-800	200	431	43	473	±100	±25	±25
PTCW-900	225	457	43	499	±110	±25	±25
PTCW-1000	250	508	43	549	±125	±25	±25



PTCW-600

EXTERIOR GASKETED WALL JOINT COVERS

JOINTS TO 150MM – MOVEMENT UP TO +150MM AND -90MM



Bank Headquarters, London

- Exterior vertical applications where weather protection is critical
- Frames designed to attach to most exterior finishes
- No exposed fasteners
- Multi-directional movement
- Primary gaskets available in flush or concertina type options

How it works



Snap-in continuous secondary PVC gasket for weather integrity.




Gaskets expand and compress during movement, while providing a weather tight seal.

Primary gasket contains UV inhibitors to prevent embrittlement and minimise fading.

SC series

Wall joint covers comprising of continuous aluminium frames, a concertina type Santoprene primary gasket and a secondary PVC gasket. These covers are designed to accommodate up to 80% of horizontal movement. Heat welded weather tight transitions are available if required.

Wall to wall or corner wall covers

Model	Joint width* (mm)	Exposed surface (mm)	Movement ± (mm)		
					
SC-200	50	50	+50/-20	±10	±6
SC-300	75	75	+75/-40	±15	±6
SC-400	100	100	+100/-70	±20	±6
SC-500	125	125	+125/-70	±20	±6
SC-600	150	150	+150/-90	±20	±6

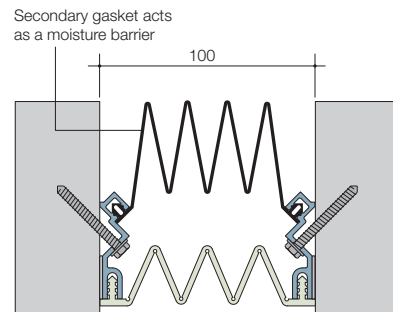
* Larger sizes available, please contact us for details

Colours and finishes

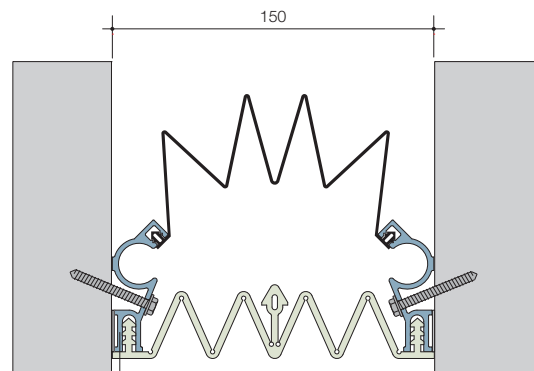
Primary gaskets are available in four standard gasket colours[‡]. Aluminium side frames are supplied mill finished.

Accessories

Optional Fire Barriers, see p.44 for details.



SC-400






SC-600

SF series

Wall cover systems comprising of a flush Santoprene primary gasket and a secondary PVC gasket positioned in continuous extruded aluminium side frames. Heat welded weather tight transitions are available if required.

Wall to wall or corner wall covers

Model	Joint width* (mm)	Exposed surface (mm)	Movement ± (mm)		
					
SF-300	75	75	+35/-40	±15	±3
SF-400	100	100	+50/-70	±20	±3
SF-500	125	125	+65/-70	±15	±3
SF-600	150	150	+75/-90	±15	±3

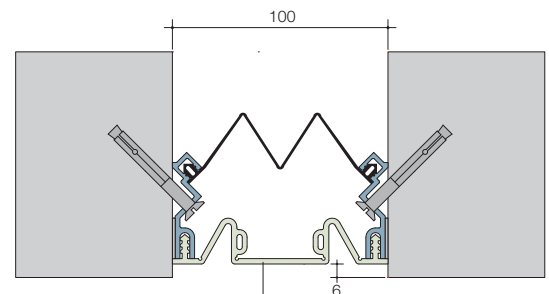
* Larger sizes available, please contact us for details

Colours and finishes

Primary gaskets are available in four standard gasket colours[‡]. Aluminium side frames are supplied mill finished.

Accessories

Optional Fire Barriers, see p.44 for details.



SF-400

[‡]Santoprene Gasket Colours

Black

White

Grey

Greige

ROOF JOINT COVERS

JOINTS TO 175MM – MOVEMENT UP TO +140MM AND -150MM

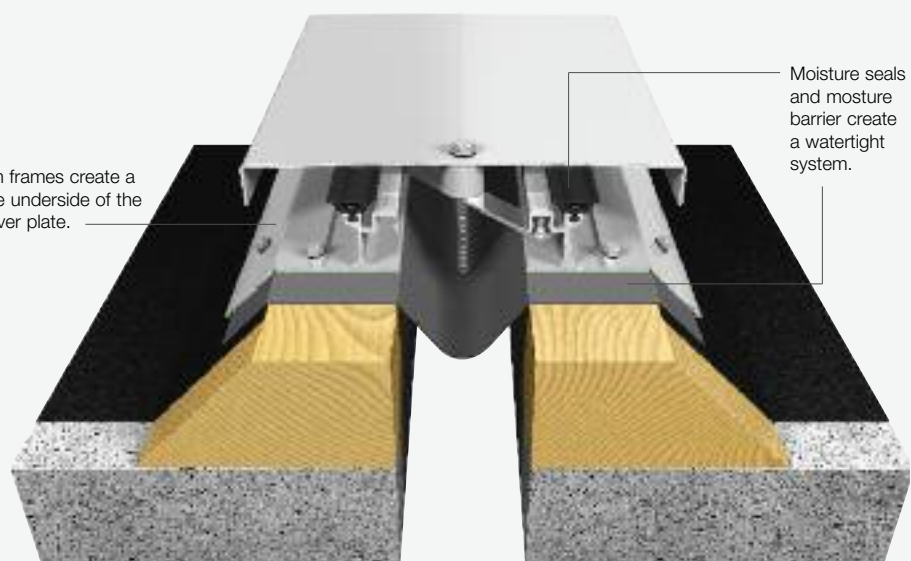


Round Valley Office Complex, U.S.A.

- Choice of flexible bellow or metal systems
- Suitable for built-up, flat roofs
- Roof applications where exterior seals are used in walls and watertight transitions are critical

How it works

Aluminium frames create a seal to the underside of the sliding cover plate.



Moisture seals and moisture barrier create a watertight system.

BRJ series

Flexible roof joint covers utilising malleable membrane applied to support foam, secured with a factory-attached metal flange. Bellows material expands and contracts for multi-directional movement. These joints are suitable for flat and sloped roof applications.

Roof to roof

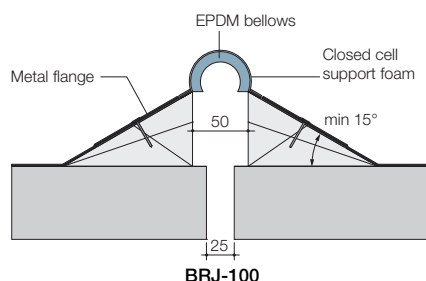
Model	Joint width (mm)*	Exposed surface (mm)	Movement ± (mm)		
BRJ-100	25	n/a	+50/-25	**	**
BRJ-200	50	n/a	±50	**	**
BRJ-300	75	n/a	+35/-75	**	**
BRJ-400	100	n/a	+50/-100	**	**
BRJ-500	125	n/a	+60/-125	**	**

* Larger sizes available, please contact us for details

** Lateral and/or vertical movement can be accommodated but will reduce the amount of horizontal movement, which needs to be taken into account when specifying roof joint cover. Contact us for details.

Colours and finishes

Membrane (EPDM as standard, Neoprene membrane available as an option) – Black. Standard flanges are fabricated in galvanised steel; stainless steel / aluminium or copper options are also available.



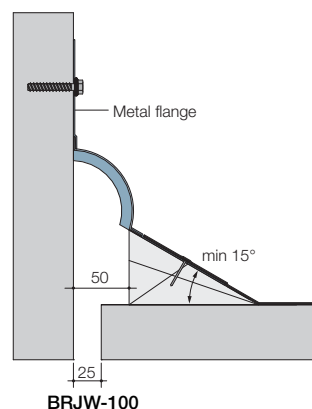
BRJ-100

Roof to wall

Model	Joint width (mm)*	Exposed surface (mm)	Movement ± (mm)		
BRJW-100	25	n/a	+50/-25	**	**
BRJW-200	50	n/a	±50	**	**
BRJW-300	75	n/a	+35/-75	**	**
BRJW-400	100	n/a	+50/-100	**	**
BRJW-500	125	n/a	+60/-125	**	**

Accessories

Optional Fire Barriers, see p. 44-45 for details.



BRJW-100

SRJ series

Aluminium roof covers for applications where occasional access is expected and where durability is an issue. Systems comprise of extruded aluminium components, turnbars, moisture seals and polyethylene moisture barrier. They are suitable for flat or sloped roof applications.

Roof to roof

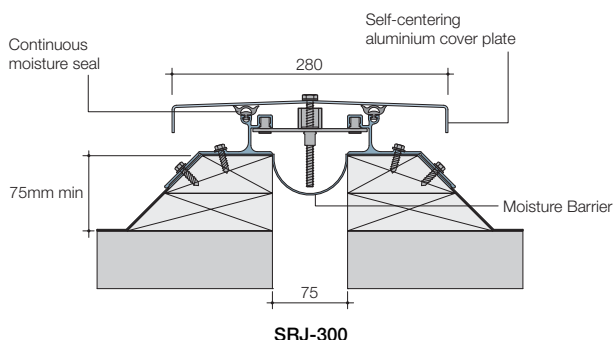
Model	Joint width (mm)*	Exposed surface (mm)	Movement ± (mm)		
RJT-100	25	146	+40/-20	**	**
RJT-200	50	146	+40/-45	**	**
SRJ-300	75	280	+115/-50	**	**
SRJ-400	100	305	+85/-75	**	**
SRJ-500	125	343	+65/-100	**	**
SRJ-600	150	381	+145/-125	**	**
SRJ-700	175	419	+140/-150	**	**

* Larger sizes available, please contact us for details

** Lateral and/or vertical movement can be accommodated but will reduce the amount of horizontal movement, which needs to be taken into account when specifying roof joint cover. Contact us for details.

Colours and finishes

Aluminium sections are mill finished as standard, Moisture Seals and Barrier – Black.



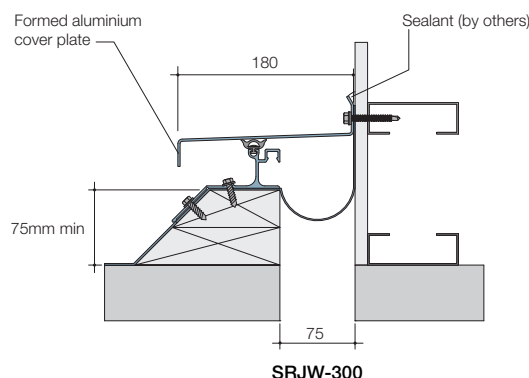
SRJ-300

Roof to wall

Model	Joint width (mm)*	Exposed surface (mm)	Movement ± (mm)		
RJTW-100	25	98	+35/-20	**	**
RJTW-200	50	98	+20/-45	**	**
SRJW-300	75	180	+55/-75	**	**
SRJW-400	100	205	+55/-100	**	**
SRJW-500	125	237	+65/-125	**	**
SRJW-600	150	268	+70/-150	**	**
SRJW-700	175	300	+70/-75	**	**

Accessories

Optional Fire Barriers, see p.44 for details.



SRJW-300

FIRE BARRIERS

Fire is an ever-present danger. The 'chimney effect' created by an unprotected expansion joint may actually advance its spread.

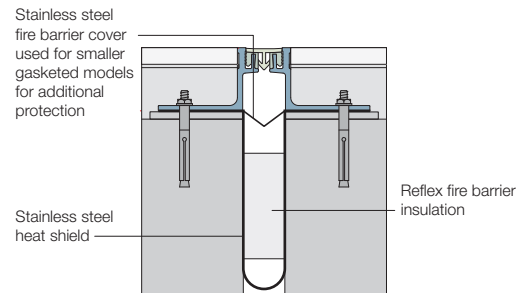
Construction Specialties' fire barrier systems are available to cover all building regulation requirements, whilst ensuring that performance is maintained during any building movement.

C/S Reflex Fire Barrier Systems

- Suitable for floors and walls
- Floor joint widths 25-100mm
- Wall joint widths 25-100mm
- BS 476: Part 20 and 22: 1987 tested
- ANSI/UL 2079 and ASTM E1966 tested for a 1-hour and 2-hour rating

An innovative and cost effective fire barrier system comprising of a compressible block of insulation housed in continuous stainless steel foil. The wall systems are applicable to both drywall/stud and masonry wall conditions and do not require stainless steel foil.

Reflex systems have met ANSI/UL 2079 and ASTM E1966 testing requirements for a 1-hour and 2-hour rating including cycling capabilities of $\pm 50\%$ horizontal movement. Lateral shear movement of $\pm 25\%$ can also be accommodated.



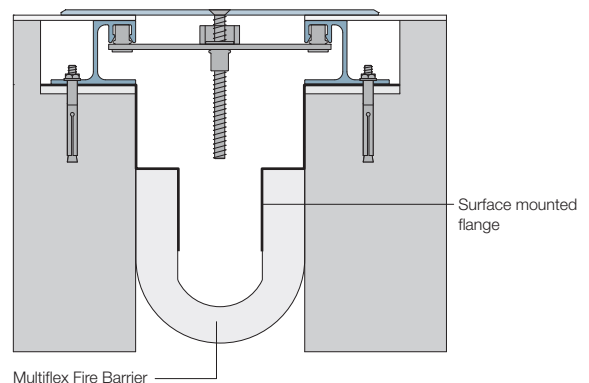
GFT-100-38 with Reflex Fire Barrier to suit 25mm joint width

C/S Multiflex Fire Barrier Systems

- Suitable for floors and walls
- Floor and wall joint widths 25-500mm
- ANSI/UL 2079 and ASTM E1966 tested for a 1-hour and 2-hour rating

A blanket type fire barrier system consisting of insulation layers encapsulated in a stainless steel mesh, which keeps the insulation in place.

Multiflex systems have met ANSI/UL 2079 and ASTM E1966 testing requirements for a 1-hour and 2-hour rating including cycling capabilities of $\pm 50\%$ horizontal movement. Lateral shear movement of $\pm 50\%$ can also be accommodated, along with a vertical deflection of $\pm 50\text{mm}$.



SJP-400SS with Multiflex Fire Barrier to suit 100mm joint width

C/S Fire Barrier systems can be installed more easily and in much less time than most conventional fire barrier systems. This is due to the simple components that make up the systems, and because no fire caulks or complicated and expensive transition mitres are required for installation.

Construction Specialties Fire Barrier Systems have been manufactured and tested to provide optimum fire protection when properly installed in the intended environment.

However, no amount of testing can guarantee a 2-hour rating in every application. For that reason we urge you to contact us direct or to contact your local C/S representative for selection assistance during the initial stages of project development.



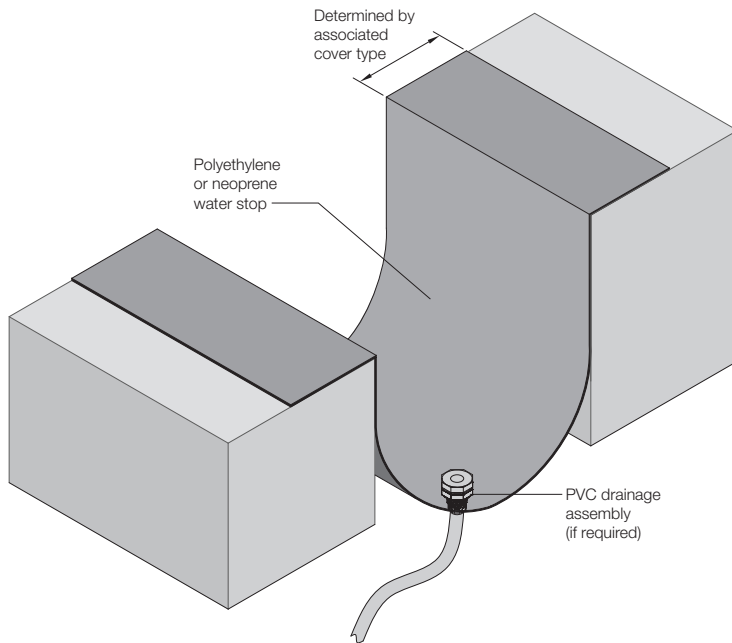
Reflex Fire Barrier



Multiflex Fire Barrier

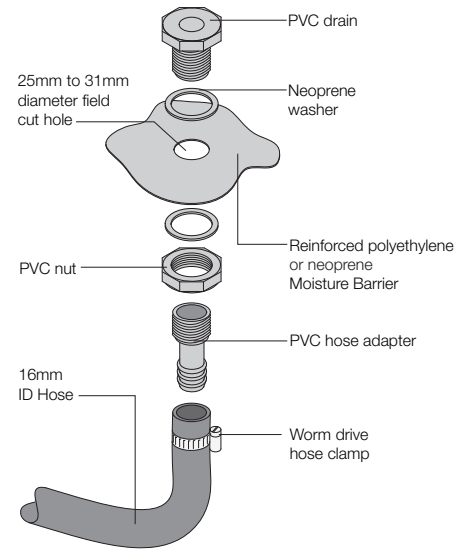
MOISTURE BARRIERS

C/S Moisture Barrier is a flexible Neoprene or Polyethylene membrane, available with an optional drainage assembly. The membrane is installed beneath the expansion joint cover to help prevent moisture ingress from above or below.



Product	Size (mm)*	Joint width (mm)
MB-P1/N1	300	25-125
MB-P2/N2	400	150-200
MB-P3/N3	600	225-300

P - Polyethylene N - Neoprene
*Larger sizes available



C/S Drainage Assembly

ACOUSTIC BARRIERS

C/S Acoustic Barrier is a flexible, non-reinforced mass loaded vinyl that resists the passage of sound waves and reduces the transmission of airborne noise. It is supplied on a roll and available in four density options offering different noise reduction rates.

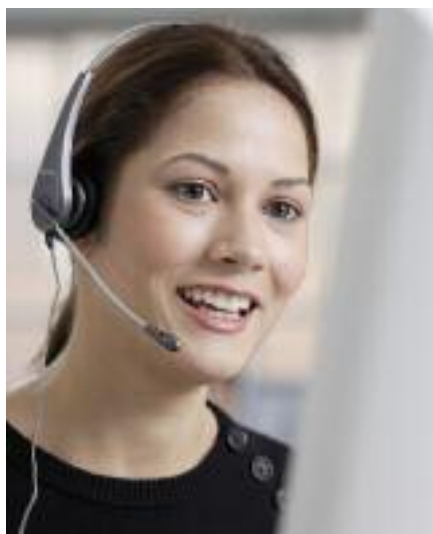
Product	Density (kg/m ²)	Roll size	
		Width (m)	Length (m)
AB-50	2.5	1.22	15
AB-100	5	1.22	15
AB-150	7.5	1.22	7.5
AB-200	10	1.22	7.5

Noise reduction provided by C/S Acoustic Barriers is measured in noise transmission loss (dB) / frequency (Hz)*:

Hz	125	250	500	1000	2000	4000	Sound Transmission Class Rating
Noise transmission loss (dB) by density:							
AB-50	8	13	17	22	27	31	20
AB-100	16	17	22	27	31	36	26
AB-150	17	19	25	31	36	44	29
AB-200	16	22	26	32	35	40	31

* Per ASTM E-90

OUR SERVICE



C/S TECHNICAL SUPPORT

We look forward to assisting you with any queries which you may have and ensuring that you have made the right selection for your project. Call us on +44 (0)1296 652800 to speak with our Customer Service Team, Technical Team or Area Representatives.

C/S SPECIFICATION SUPPORT

Should you require specification assistance please call us on +44 (0)1296 652800.

NBS Specification Clauses for our products are also available on NBS Plus.



CPD PRESENTATIONS

Tailored CPD presentations can be arranged through our Customer Service Team or your local C/S representative.

INSTALLATION SERVICE

Construction Specialties offer a complete installation package through our sister company, Conspec Contracts Ltd. They provide full site surveys, implement installation programmes and advise upon suitability of material. Conspec's experienced installation teams are CSCS, SAFEcontractor and CHAS accredited.



FS 543714



SAMPLES SERVICE

Samples of all C/S Allway Expansion Joint Covers are available on request.

Please contact our Customer Service Team on +44 (0)1296 652800 with your requirements.

PRODUCT DESIGN/FORMULATION

The company reserves the right to make composition changes for the purpose of product improvement, or to withdraw any product without notice.

WARRANTY POLICY

Construction Specialties (UK) Ltd (the Company) warrants to its customers that all expansion joint covers sold by it will be free from any defects in materials and workmanship and will meet the product criteria noted in our brochures when properly installed and maintained. If, in the sole opinion of the Company, a product covered by this warranty is defective, the Company will replace it free of charge. This warranty shall extend for a period of two years following shipment by the Company.

This is in lieu of all warranties expressed or implied, and is the sole warranty extended by the Company. The liability of the Company under this warranty is limited to replacement only, and does not include any responsibility for consequential or other damage of any nature.

RECENT PROJECTS

LG Arena - Birmingham
 Aviva Stadium – Dublin, Ireland
 Stansted Airport – Stansted
 Bristol International Airport - Bristol
 Dublin Airport – Dublin, Ireland
 County Square Shopping Centre –
 Ashford
 The Mall Shopping Centre – Blackburn
 The Rock Shopping Centre – Bury
 Brislington Enterprise College - Bristol
 Coventry & Walsgrave Hospital PFI –
 Coventry
 Derby Hospital PFI – Derby
 John Radcliffe Hospital PFI – Oxford
 Lanchester Road Hospital – Durham
 Manchester Hospital PFI – Manchester
 Forth Valley Acute Hospital – Larbert
 Queen Alexandra Hospital PFI –
 Portsmouth
 Ysbyty Aneurin Bevan PFI – Newport
 Mid Argyll Hospital - Lochgilhead
 Hammersmith Hospital - London
 Napier University – Edinburgh
 Burnley Campus – Burnley
 Middlesbrough College – Middlesbrough
 Globe Academy - London
 International School of Aberdeen –
 Aberdeen
 Bethnal Green Technology College -
 London
 Athlone Town Centre – Athlone, Ireland
 National Physical Laboratory –
 Teddington
 Merck Sharp & Dohme – Clonmel,
 Ireland
 Travelodge – London
 British Sky Broadcasting – Isleworth
 Network Railway Station - London
 Canary Wharf – various projects, London
 Tate Modern – London
 BNFL Sellafield – Seascale
 Wyeth Medica – Newbridge, Ireland



The complete range of C/S products



C/S Acrovyn[®]
Wall, Door and Corner Protection



C/S Wallglaze[®]
Specialist Coatings for Walls and Floors



C/S Pedisystems[®]
Entrance Flooring Systems



C/S Allway[®]
Expansion Joint Covers



C/S Airfoil[®]
Solar Shading Systems



C/S Supertrak[®]
Cubicle Curtain Track



C/S Explovent[®]
Explosion Venting Systems



FM21206



Construction Specialties (UK) Limited

1010 Westcott Venture Park
Westcott
Buckinghamshire HP18 0XB
Tel: +44 (0)1296 652800
Fax: +44 (0)1296 652888
Email: info@c-sgroup.co.uk
www.c-sgroup.co.uk

C/S worldwide operations

- UK (also servicing: Republic of Ireland, Scandinavia, Malta, Portugal, Iceland)
- France
- Germany
- Austria
- Italy
- Spain
- Poland
- USA
- Canada
- Australia
- Singapore
- Hong Kong
- Taiwan
- UAE
- Uruguay