



**Delta Balustrades**  
QUALITY HANDRAIL SYSTEMS

**DUO**

## DUO

The Duo balustrade is based upon the powerful impact of twin flat balusters, created to give an unforgettable first impression.

The precision engineered Duo system stems from a stunning combination of powder-coated metallic uprights, complemented with stainless steel fittings to produce a dynamic and contemporary appearance, suited for the most modern buildings.



# BALUSTRADE INFILLS



## BALUSTRADE INFILLS

We constantly upgrade and expand upon our infill options to give our customers a wealth of choice. Glass, tensioned wire, steel panels, midrails and vertical bars are all available, and each can be customised to suit your particular needs in terms of aesthetics and purpose.

### Glass

Delta Balustrades offer far more than simple glass panels. Our glass infill systems combine strength and visual stimulation to enhance any staircase or balcony.

We can create dramatic effects using an infinite combination of coloured tints, variable thickness and etched glass, while conforming to all the relevant safety regulations.

### Tensioned Wires

Our tensioned stainless steel wire midrail system is proving to be increasingly popular, thanks to its stunning appearance and ease of maintenance.

The neat 5mm wires can be paired with any of our balustrade systems to provide a modern and engaging appearance for any commercial or non-public application.



Glass

### Perforated Panels

The Delta Balustrade panel system has a variety of applications perfectly suited to a multitude of situations. Maintenance-free and incredibly sturdy, they are appropriate for public use and are fully compliant for this application.

Looking for something vibrant or a specialist look? Choose from hundreds of RAL, BS4800 and BS381C colours to contrast with your environment perfectly.



Perforated Panels

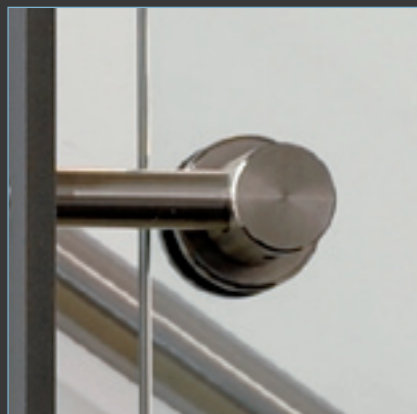
### Horizontal Midrails

To increase the strength of any stairwell, Delta Balustrades has produced a cost-effective midrail system, often the preferred choice for commercial office and other non-public applications.



Horizontal Midrails

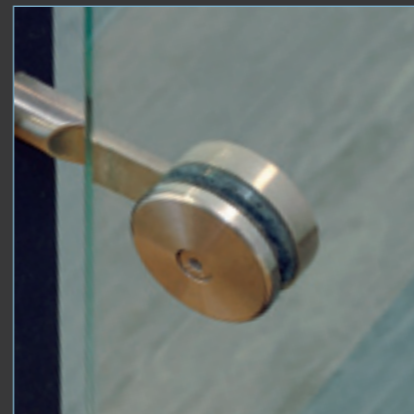
## PANEL FIXING OPTIONS



Inline Barrel Glass Fitting (L6)



Offset Barrel Glass Fitting (L5)



Inline Banjo Glass Fitting (L4)

# HANDRAIL OPTIONS



## HANDRAIL OPTIONS

The tactile nature of a handrail can add so much to a balustrade, how it feels can be as important as how it looks. As with our infills, handrails can be customised to suit your particular needs in terms of aesthetics and purpose. Our range leads the way in design, engineering and flexibility, giving you the choice to accomplish beauty within your budget.

### DelamereX™

The DelamereX™ hardwood effect handrail system requires no varnishing or maintenance, offers a cost-effective alternative to hardwood, and helps our customers actively reduce their carbon footprint, sustaining valuable timber resources.

### Delamere™

The Delamere™ range of quality lacquered hardwood handrails is available as standard in oak, ash, cherry, maple and walnut, and other prestige hardwoods are available on request.

### HiBuild™

The HiBuild™ colour polyester coated system has it all: advanced scratch resistance, a comfortable grip, and the all-important “warm to the touch” DDA requirement.

### HiBex™

The HiBex™ colour polyester coated system has all the features of the HiBuild™ range and is designed specifically for external applications.

### HiMet™

HiMet™ coated systems are fashioned in several metallic finishes, including silver, gold and nickel, and are a cost-effective alternative to stainless steel.

### HiMex™

The HiMex™ metallic polyester coated system has all the features of the HiMet™ range and is designed specifically for external applications.

### nDura™

nDura™ is a unique clear top coating ideal for handrails in areas of heavy pedestrian traffic, due to its high resistance to damage. nDura™ is the ultimate in meeting warm-to-the-touch requirements and anti-graffiti, anti-bacterial and class 1 fire rated are included in its wide range of resistant properties.

### Ultra™

Ultra™ external grade stainless steel finish specifically designed for outdoor applications.

### Sigma™

Sigma™ satin polished stainless steel finish is designed specifically to withstand decades of very heavy usage in the most demanding of internal environments.

### Lustre™

Our exclusive Lustre™ finish features a bright polished surface, ideal for use in swimming pool areas and high prestige developments.



DelamereX™



Ultra™



Sigma™

## BRACKET OPTIONS



Barrell Bracket (BB5)



Radiused Bracket (BB3)



Inline Stem Connection (BB6)

## TECHNICAL SPECIFICATION

Delta Balustrades Duo system is designed, manufactured and installed to suit your individual application. A wide range of finishes, infill options and additional features are available and are fully compatible with the Duo system.

## SPECIFICATION GUIDE

1. Choose handrail series and handrail finish (see pages 10 & 11)
2. Choose handrail bracket type (see page 10)
3. Choose DUO twin flat baluster. Typical sizes: 50 x 10mm twin flat uprights with 40 x 40mm spacing blocks
4. Choose guarding and infill panel lugs as required (see page 6)
5. Choose balustrade fixing detail from standard options or detail to be confirmed with Delta Balustrades
6. Specify horizontal loading as indicated by architect or building control. I.e. 0.74kN/m, 1.5kN/m or 3.0kN/m
7. Specify associated wall fixed handrails if required

## HANDRAIL SIZES

40 Series

50 Series

60 Series\*

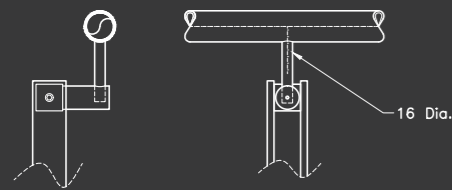
\*(not compliant for stairs and ramps due to British Standard guidance on handrail size)



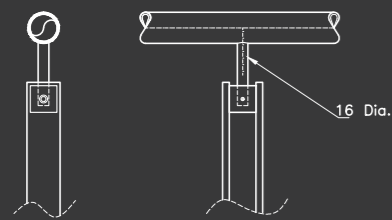
# TECHNICAL SPECIFICATION

## HANDRAIL OPTIONS

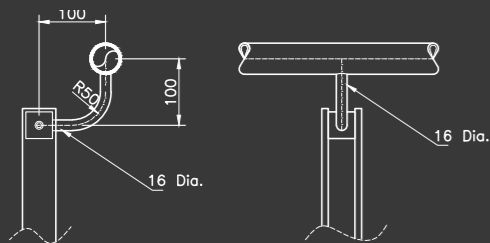
Offset Barrel Bracket (BB5)



Inline Stem Connection (BB6)

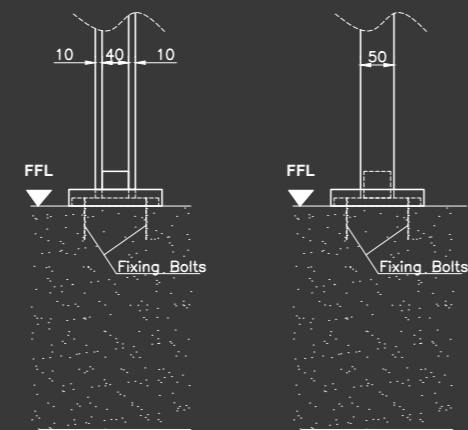


Offset Radius Bracket (BB3)

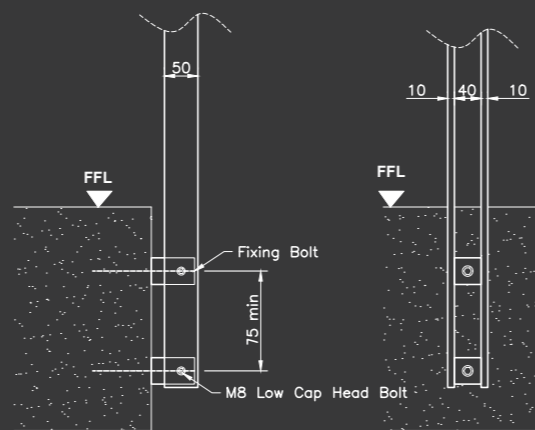


## BALUSTER FIXING OPTIONS

Standard Top Fixing (TF7)

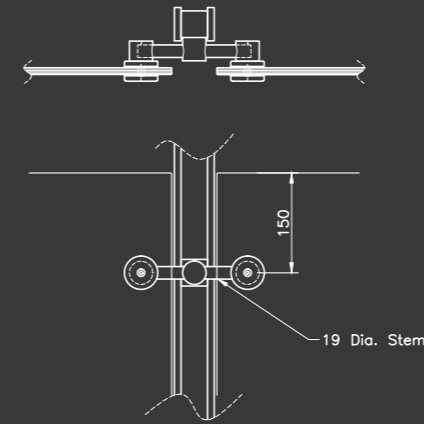


Standard Side Fixing (SF5)

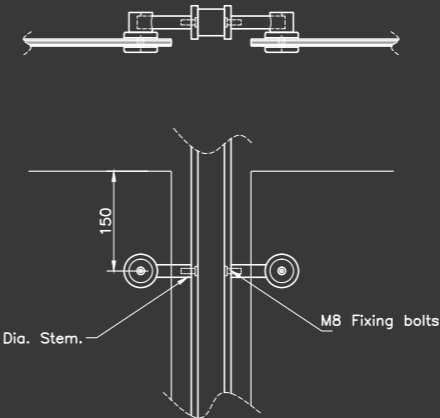


## INFILL PANEL FIXING OPTIONS

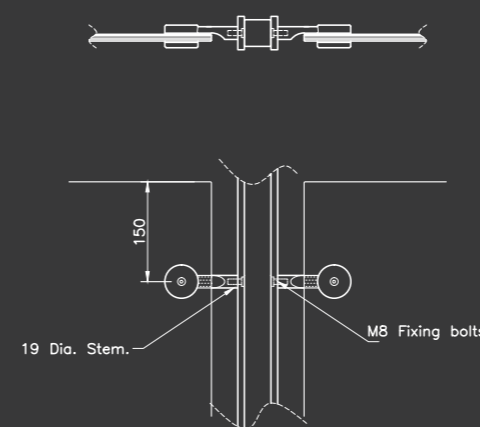
Offset Barrel Glass Fitting (L5)



Inline Barrel Glass Fitting (L6)



Inline Banjo Glass Fitting (L4)







**Delta Balustrades**  
QUALITY HANDRAIL SYSTEMS

Delta Balustrades, Millbuck Way,  
Sandbach, Cheshire CW11 3JA

Tel: 01270 753 383 Fax: 01270 753 207

[info@deltabalustrades.com](mailto:info@deltabalustrades.com)

[www.deltabalustrades.com](http://www.deltabalustrades.com)