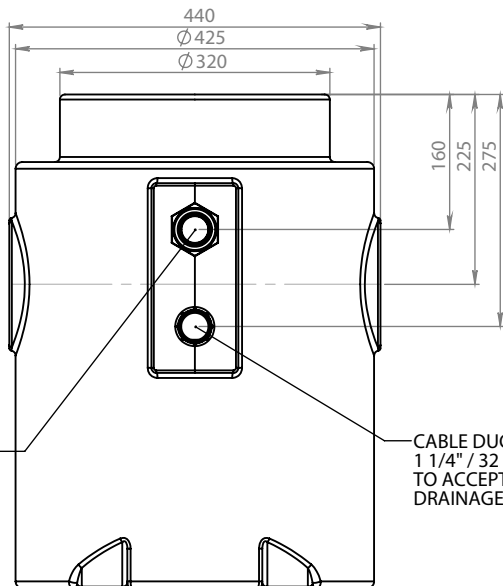


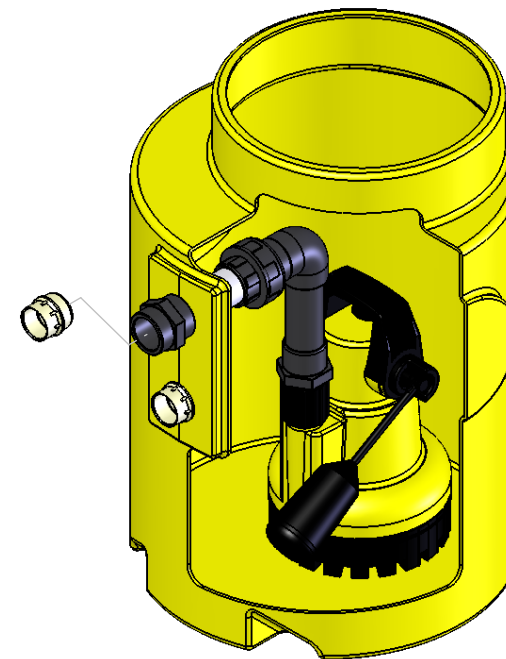
Pump Type	V3P
P1	0.43kW
P2	0.18kW
FLC	1.9A

DISCHARGE  
1 1/4" BSP / 32 mm MALE  
IRON SUPPLIED LOOSE



DISCHARGE  
1 1/4" BSP FEMALE

CABLE DUCT  
1 1/4" / 32 mm.  
TO ACCEPT STD.  
DRAINAGE PIPE



**Code**  
**DMS 047**

**Specification Code**  
**1.1-425-585-V3P-HLA**

**Product Description**  
**Delta Single V3 Sump - V3 Pump - no inlets**

