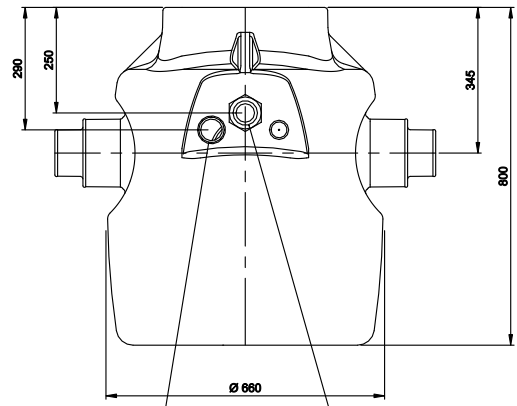


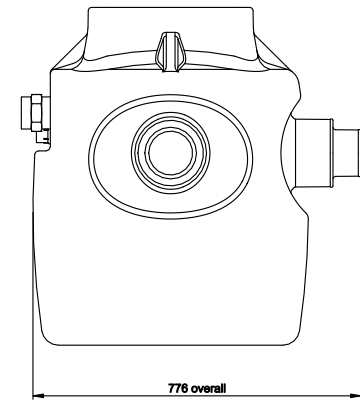
**DELTA MEMBRANE SYSTEMS  
FOUL V3 SUMP D10 PUMP**

PUMP TYPE	D10
P1	1.1KW
P2	0.7KW
FLC	4.8A



CABLE DUCT  
2" / 50mm FEMALE  
TO ACCEPT STD.  
DRAINAGE PIPE

DISCHARGE  
2" BSP / 50mm MALE  
IRON SUPPLIED LOOSE



# DELTA MEMBRANE SYSTEMS LTD.

DRAWING No: DPP-128-1- (C)

DRAWING TITLE: FOUL V3 SUMP D10 PUMP

DELTA HOUSE, MERLIN WAY, NORTH WEALD, EPPING, ESSEX CM16 6HR  
TEL: 01992 523523 FAX: 01992 523250

OFFICE USE:

REVISION No:  
1

Drawn By:  
Checked By:

REVISION DATE:  
June 2017

Scale:  
System Files: PDF / DWG

DRAWING NOTE:  
This drawing is for illustrative purposes only. Drawing not to scale.

PROJECT / COMMENTS:

DRAWING NOTES:  
All installations to be carried out in strict accordance with manufacturer's installations instructions.  
For further assistance contact Delta Technical on 01992 523 523 or email technical@deltamembranes.com