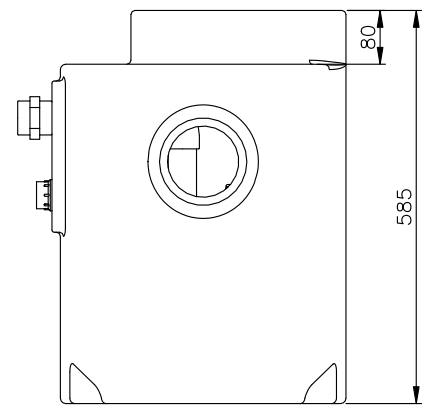
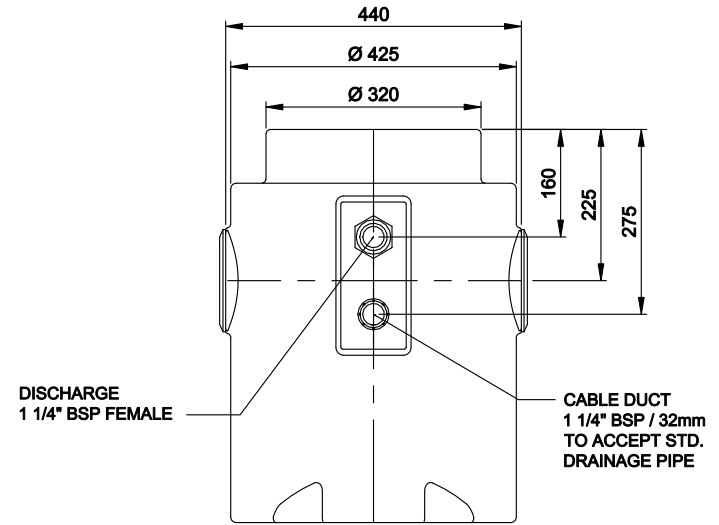


**DELTA MEMBRANE SYSTEMS
SINGLE V3 SUMP - NO INLETS**

PUMP TYPE	V3P
P1	0.43kW
P2	0.18kW
FLC	1.9A



DELTA MEMBRANE SYSTEMS LTD.

DRAWING No: DPP-124A-1- (C)
DRAWING TITLE: SINGLE V3 SUMP - NO INLETS

DELTA HOUSE, MERLIN WAY, NORTH WEALD, EPPING, ESSEX CM16 6HR
TEL: 01992 523523 FAX: 01992 523250

DRAWING NOTES:
All installations to be carried out in strict accordance with manufacturer's installations instructions.
For further assistance contact Delta Technical on 01992 523 523 or email technical@deltamembranes.com

OFFICE USE:	
REVISION No: 1	Drawn By: Checked By:
REVISION DATE: June 2017	Scale: System Files: PDF / DWG

DRAWING NOTE:
This drawing is for illustrative purposes only. Drawing not to scale.

PROJECT / COMMENTS: