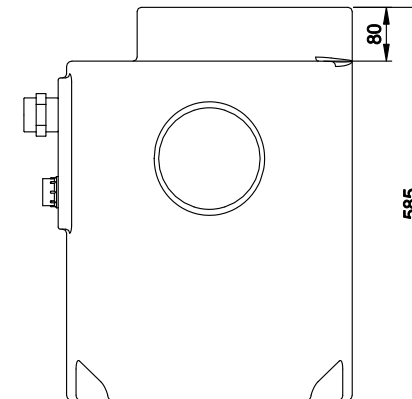
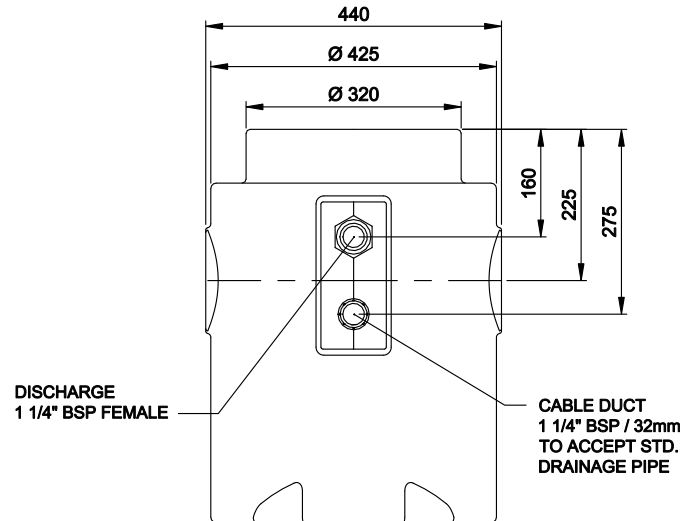


**DELTA MEMBRANE SYSTEMS
SINGLE V3 SUMP - 2 x INLETS**

PUMP TYPE	V3P
P1	0.43kW
P2	0.18kW
FLC	1.9A



DELTA MEMBRANE SYSTEMS LTD.

DRAWING No: DPP-124B-1- (C)

DRAWING TITLE: SINGLE V3 (2 INLETS)

DELTA HOUSE, MERLIN WAY, NORTH WEALD, EPPING, ESSEX CM16 6HR
TEL: 01992 523523 FAX: 01992 523250

OFFICE USE:

REVISION No:
1

REVISION DATE:
June 2017

Drawn By:

Checked By:

Scale:

System Files: PDF / DWG

DRAWING NOTE:

This drawing is for illustrative purposes only. Drawing not to scale.

PROJECT / COMMENTS:

DRAWING NOTES:

All installations to be carried out in strict accordance with manufacturer's installations instructions.
For further assistance contact Delta Technical on 01992 523 523 or email technical@deltamembranes.com