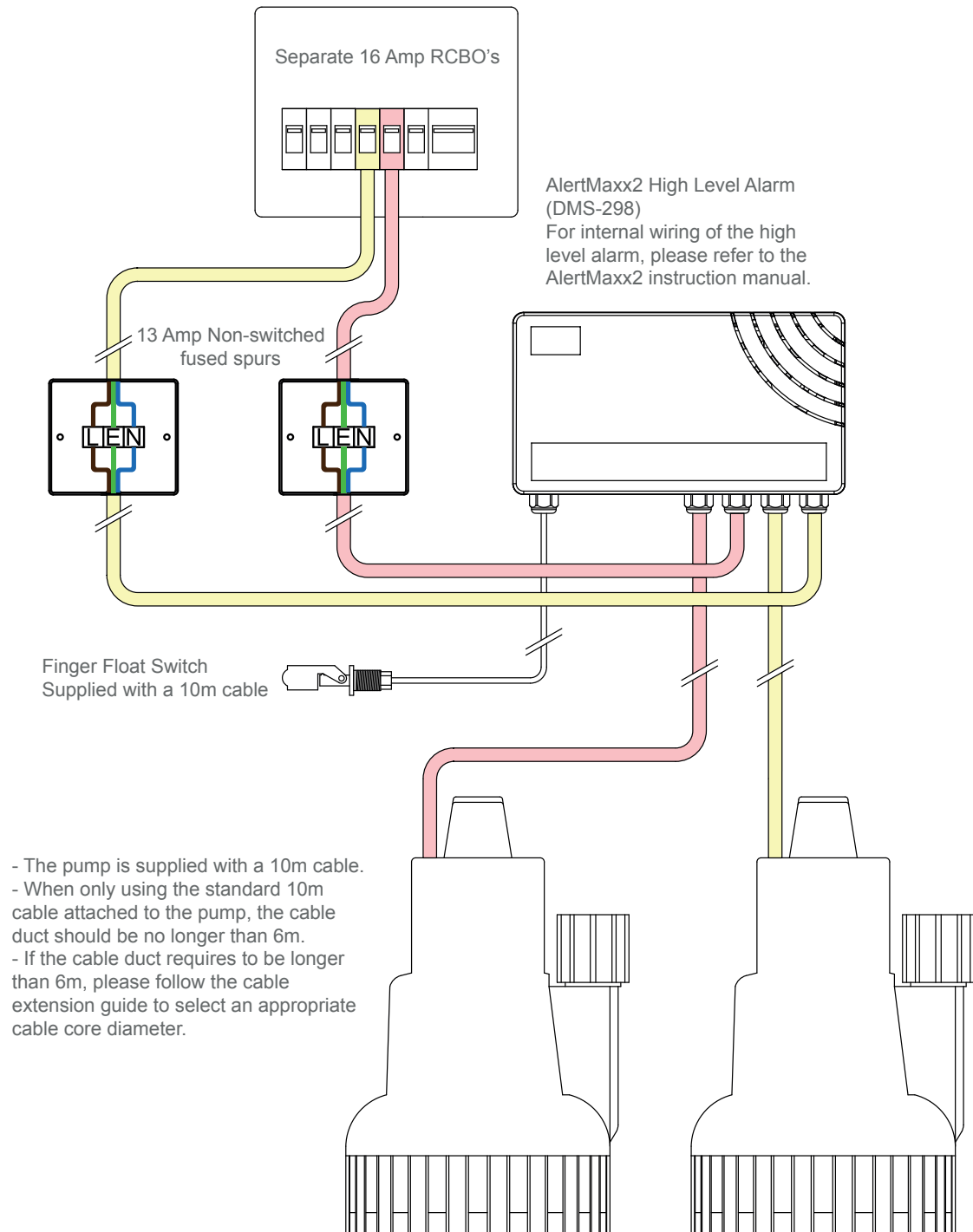
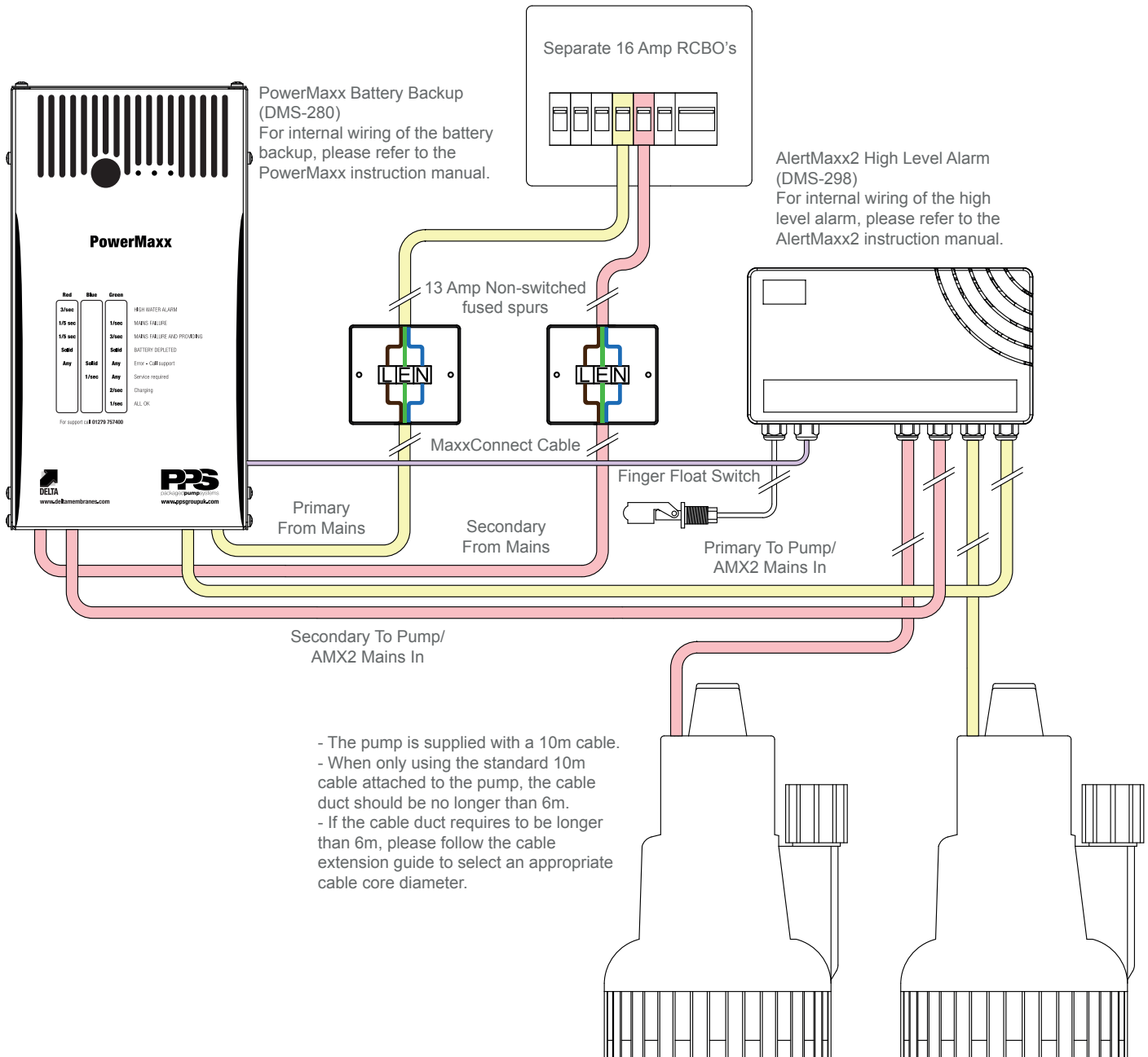


Dual Ground Water Pump Station with AlertMaxx2



The electrical installation must comply with the requirements of
BS 7671:2008 'Requirements for
Electrical Installations' incorporating amendment 3:2015

Dual Ground Water Pump Station with AlertMaxx2 & PowerMaxx



The electrical installation must comply with the requirements of BS 7671:2008 'Requirements for Electrical Installations' incorporating amendment 3:2015