

PRODUCT DATA SHEET

DELTA MS500

Product Code: DMS005/DMS007



info@deltamembranes.com

www.deltamembranes.com

01992 523 523

Delta MS500 is an 8mm studded profile High Density Polyethylene (HDPE) clear cavity drainage membrane.

Suitable for use on the internal faces of walls and floors as a water management system for the protection of below ground structures against the potentially adverse effects of ground water ingress.

© 2019 Delta Membrane Systems Ltd All Rights Reserved





BENEFITS

- Suitable for damp proofing and waterproofing
- Suitable for Flood Resilience
- Resistant to Radon
- An effective barrier to the transmission of salts, liquid water and water vapour
- Flexibility to cope in structures where movement or vibration can be problematic
- A "reversible" system, which will minimise damage to historical or heritage structures
- Resistant to chemicals, root penetration, rot proof and neutral towards drinking water
- New build, existing and retrofit cavity drain systems



SPECIFICATION

- BBA Approved
- Suitable for new, existing and retrofit structural waterproofing
- Type C Drained Protection in accordance with BS 8102:2009
- NBS J40 (clause 290) flexible sheet tanking/damp proofing



ASSOCIATED PRODUCTS

- Cornerstrip
- Qwik-Seal Plugs
- Delta Plugs
- Sealing Tape
- Delta Channel
- Delta Pumps
- Delta MS20

PRODUCT DATA SHEET

DELTA MS500

Product Code: DMS005/DMS007

TECHNICAL DATA

Material High Density Polyethylene (HDPE)

Sheet Thickness 0.5mm

Stud Height 8mm

Roll Size DMS005 2m x 20m
DMS007 2.4m x 20m

Compressive Strength >250 kN/M²

Drainage Capacity 2.25 L/S M
135 L/MIN M
8 100 L/H M

Air Volume Between Studs 5.3 L/M²

Temperature Resistance -30°C to +80°C

Reaction to Fire EN13501-1 Class E

R Value 0.12 M² K/W

Head Office:

Delta House, Merlin Way, North Weald, Epping, Essex, CM16 6HR
01992 523 523 | info@deltamembranes.com | www.deltamembranes.com

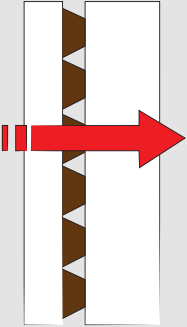
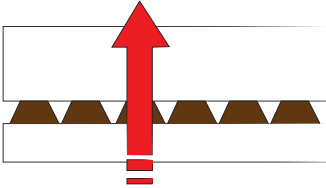
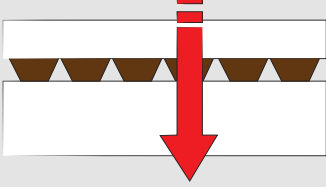
DMSPDS2019

PRODUCT DATA SHEET

DELTA MS500

Product Code: DMS005/DMS007

'R' VALUE DELTA MS500

DIRECTION OF HEAT STREAM	Thermal resistance of an 8 mm air gap
Horizontal 	0.12 m ² K / W
Upwards 	0.10 m ² K / W
Downwards 	0.12 m ² K / W

The thermal resistance values are calculated following DIN EN ISO 6946

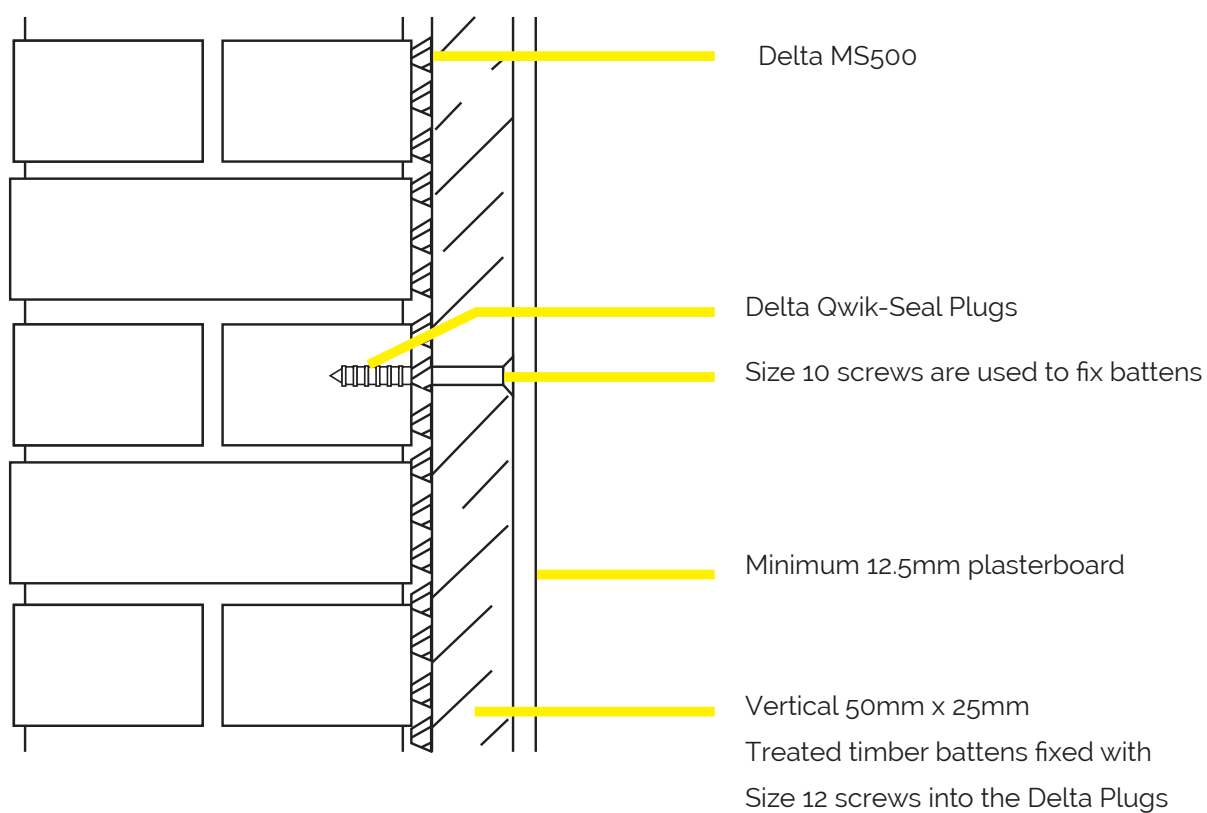
PRODUCT DATA SHEET

DELTA MS500

Product Code: DMS005/DMS007

TECHNICAL DRAWING

Placement of the Delta MS500 Membrane



Head Office:

Delta House, Merlin Way, North Weald, Epping, Essex, CM16 6HR
01992 523 523 | info@deltamembranes.com | www.deltamembranes.com

DMSPDS2019

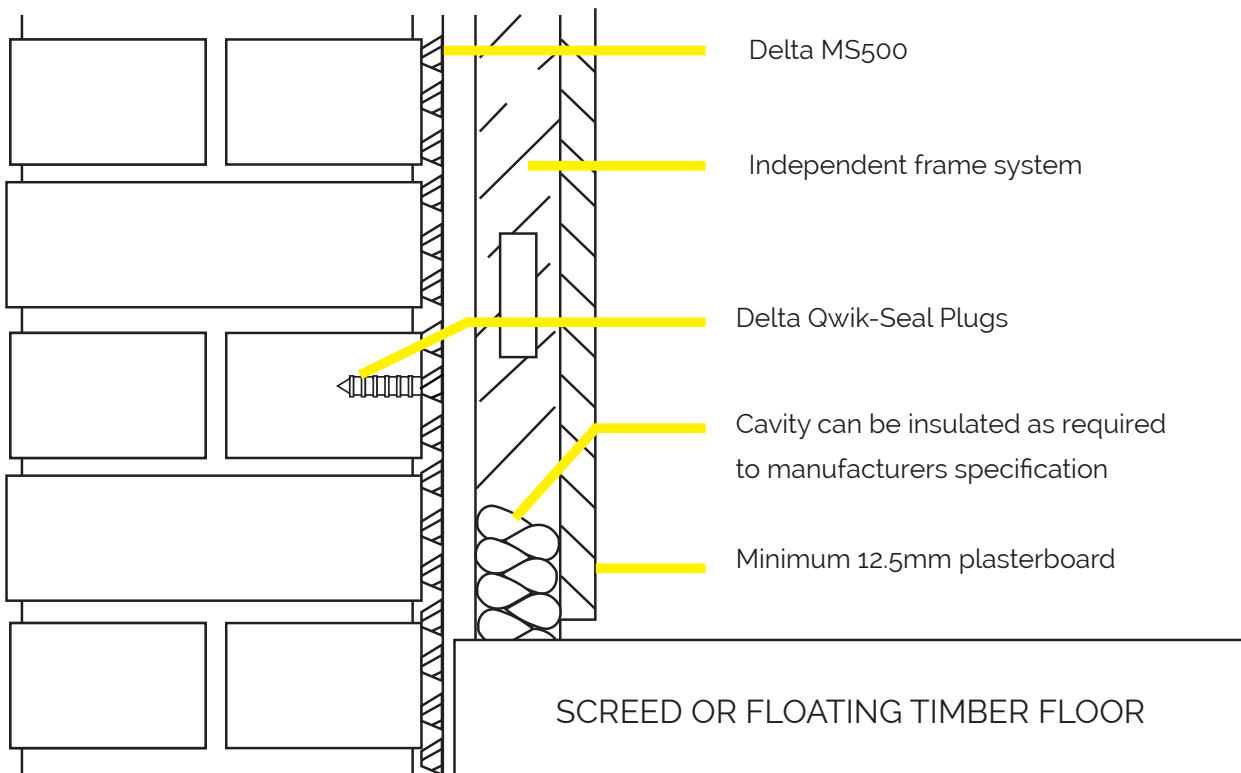
PRODUCT DATA SHEET

DELTA MS500

Product Code: DMS005/DMS007

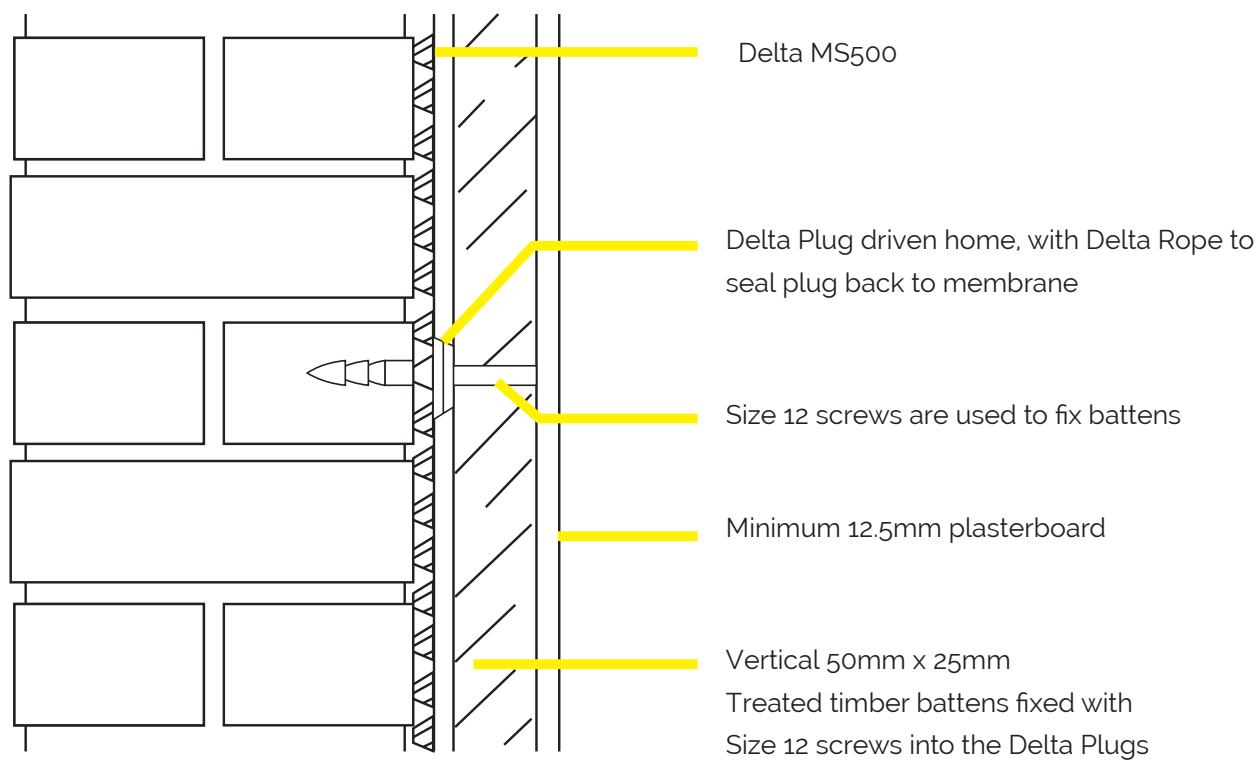
TECHNICAL DRAWING

Use of Delta Qwik-Seal Plugs with Delta MS500



TECHNICAL DRAWING

Use of Delta Plugs with Delta MS500



Head Office:

Delta House, Merlin Way, North Weald, Epping, Essex, CM16 6HR
01992 523 523 | info@deltamembranes.com | www.deltamembranes.com

DMSPDS2019

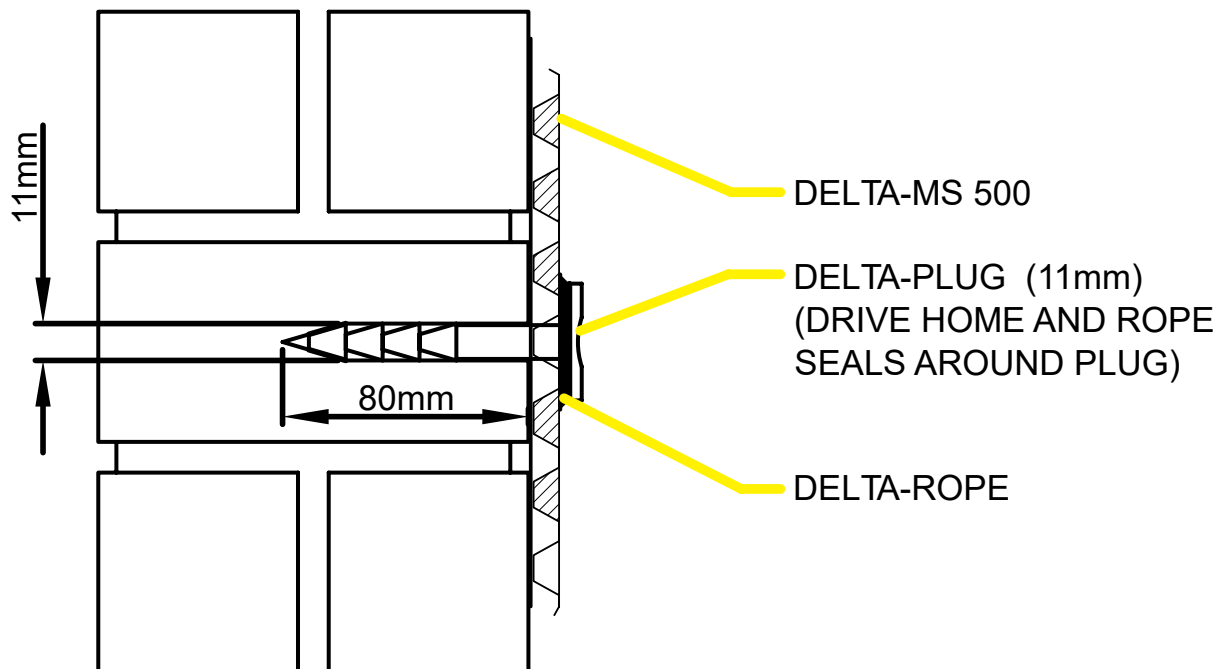
PRODUCT DATA SHEET

DELTA MS500

Product Code: DMS005/DMS007

TECHNICAL DRAWING

Use of Delta Plugs with Delta MS500



USE SIZE 12 SCREWS TO FIX BATTENS
OR METAL LINING SYSTEMS
USE 11mm DRILL BIT

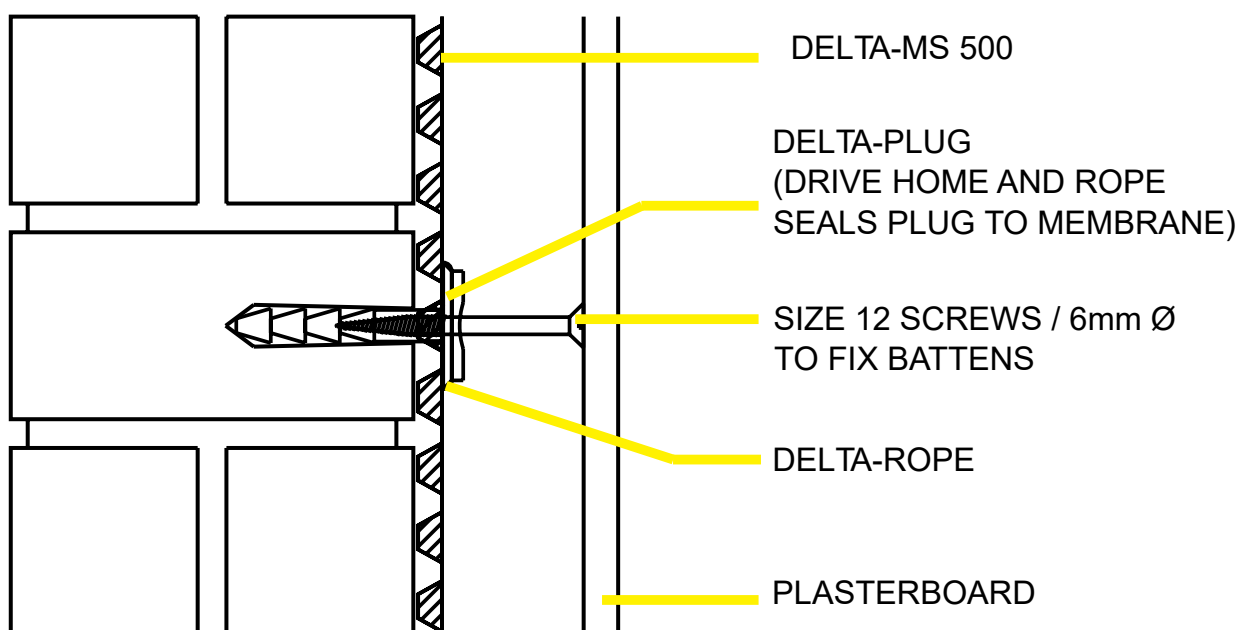
PRODUCT DATA SHEET

DELTA MS500

Product Code: DMS005/DMS007

TECHNICAL DRAWING

Use of Delta Plugs with Delta MS500



PRE-TREATED BATTENS CAN BE FIXED INTO
DELTA-PLUGS USING SIZE 12 SCREWS.

Head Office:

Delta House, Merlin Way, North Weald, Epping, Essex, CM16 6HR

01992 523 523 | info@deltamembranes.com | www.deltamembranes.com

DMSPDS2019