

5 30 006 1430 8

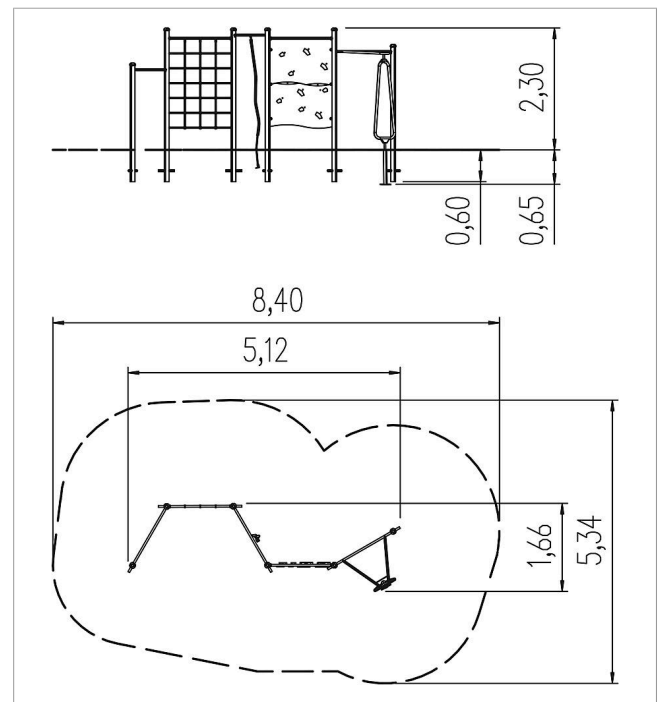
## eibe fantallica Active Climbing unit M12



made in germany



### Scope of delivery

Set of posts: galvanised and powder coated steel  
 Horizontal bar: stainless steel  
 Net element: polycoated steel cable  
 Set of climbing plates with grips: HPL, GRP  
 Rotation curver: stainless steel  
 Climbing rope: polycoated steel cable  
 Post cover PA6



	Material	Steel
	Foundation level	FL 3
	Minimum space	840x534x390 cm
	Free falling height	210 cm
	Impact protection net	23,7 m <sup>2</sup>
	Foundations	7x CF
	Largest section	-