

5 25 054 0110 0

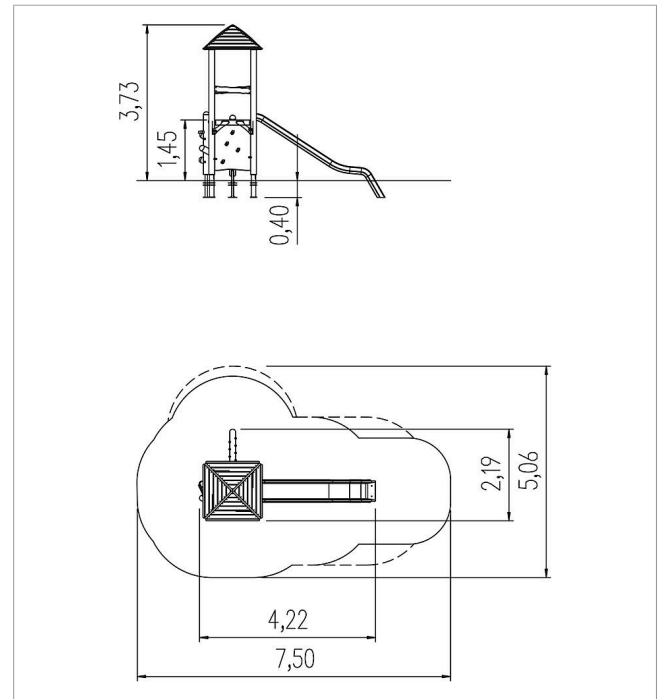
eibe unique Play unit Dantos

made in germany



Scope of delivery

Post structure: SW
 Post shoes: hot-dip galvanised steel
 Platform construction: hot-dip galvanised and powdered steel, HPL
 1 roof: robinia, SW
 1 climbing wall incl. Climbing grips: HPL, GFRP
 1 climbing stem ascent: SW
 1 stem ascent: SW
 1 slide entry plate: HPL
 1 slide: GFRP



	Material	SW pi
	Foundation level	FL 1
	Minimum space	751x506x373 cm
	Free falling height	145 cm
	Impact protection net	25,4 m ²
	Foundations	7x CF or 7x PFs