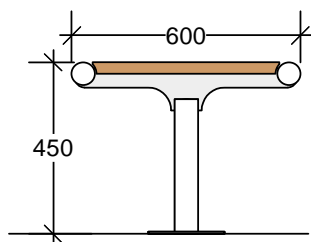
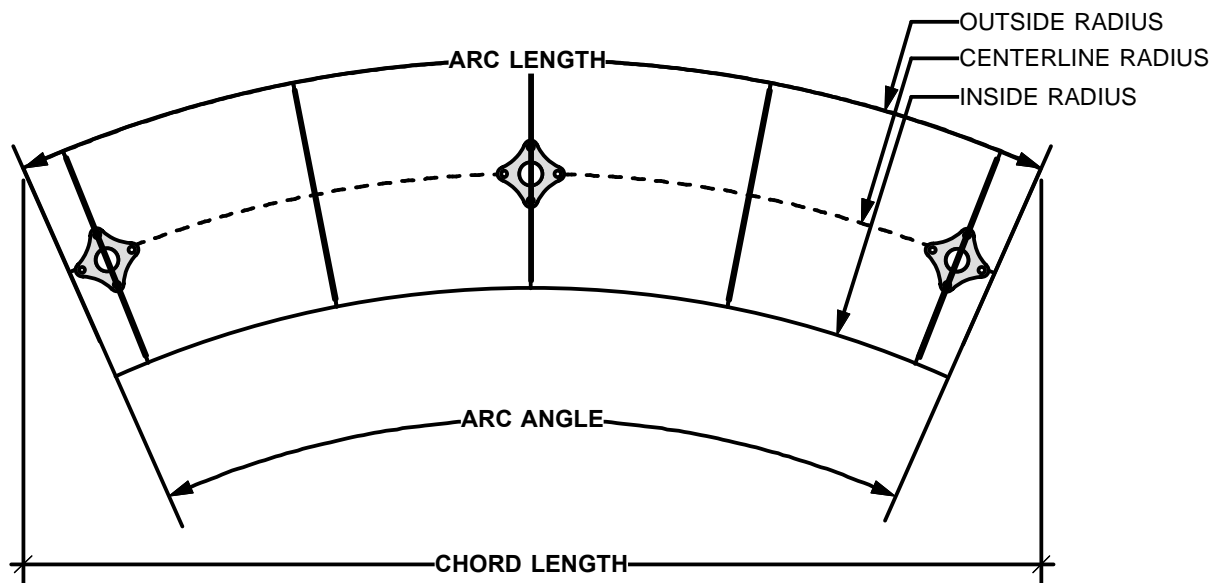
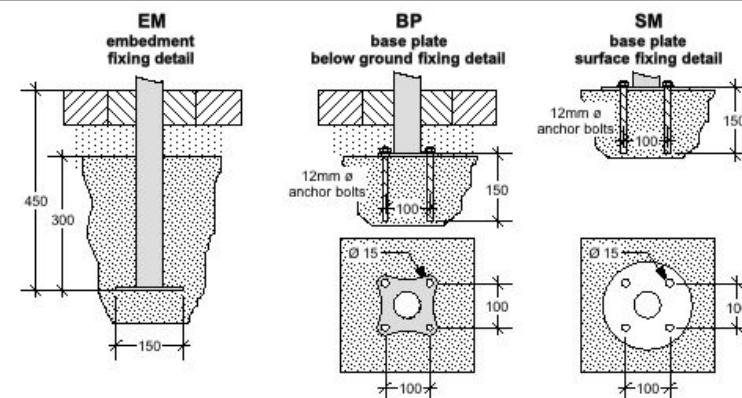


Shoreline

SL007 bench



INSTALLATION METHODS



DIMENSIONS

LWH Radius as requested mm Width 600mm Height 450mm

EXTRAS

AR Arm rests – Anti skate

FINISH CODES

IR Iroko FCS approved

DF Douglas Fir FCS approved

BD Bespoke dimensions available

INSTALLATION CODES

EM Embedment fixing

BP Base plate below ground fixing

SM Base plate surface fixing