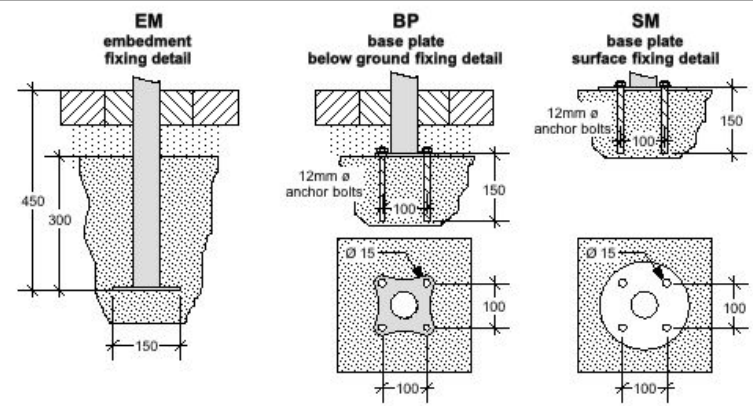


## INSTALLATION METHODS



### DIMENSIONS

LWH	Width 450mm Height 827mm
-----	--------------------------

### EXTRAS

--	--

### FINISH CODES

IR	Iroko FCS approved
DF	Douglas Fir FCS approved
BD	Bespoke dimensions available

### INSTALLATION CODES

EM	Embedment fixing
BP	Base plate below ground fixing
SM	Base plate surface fixing