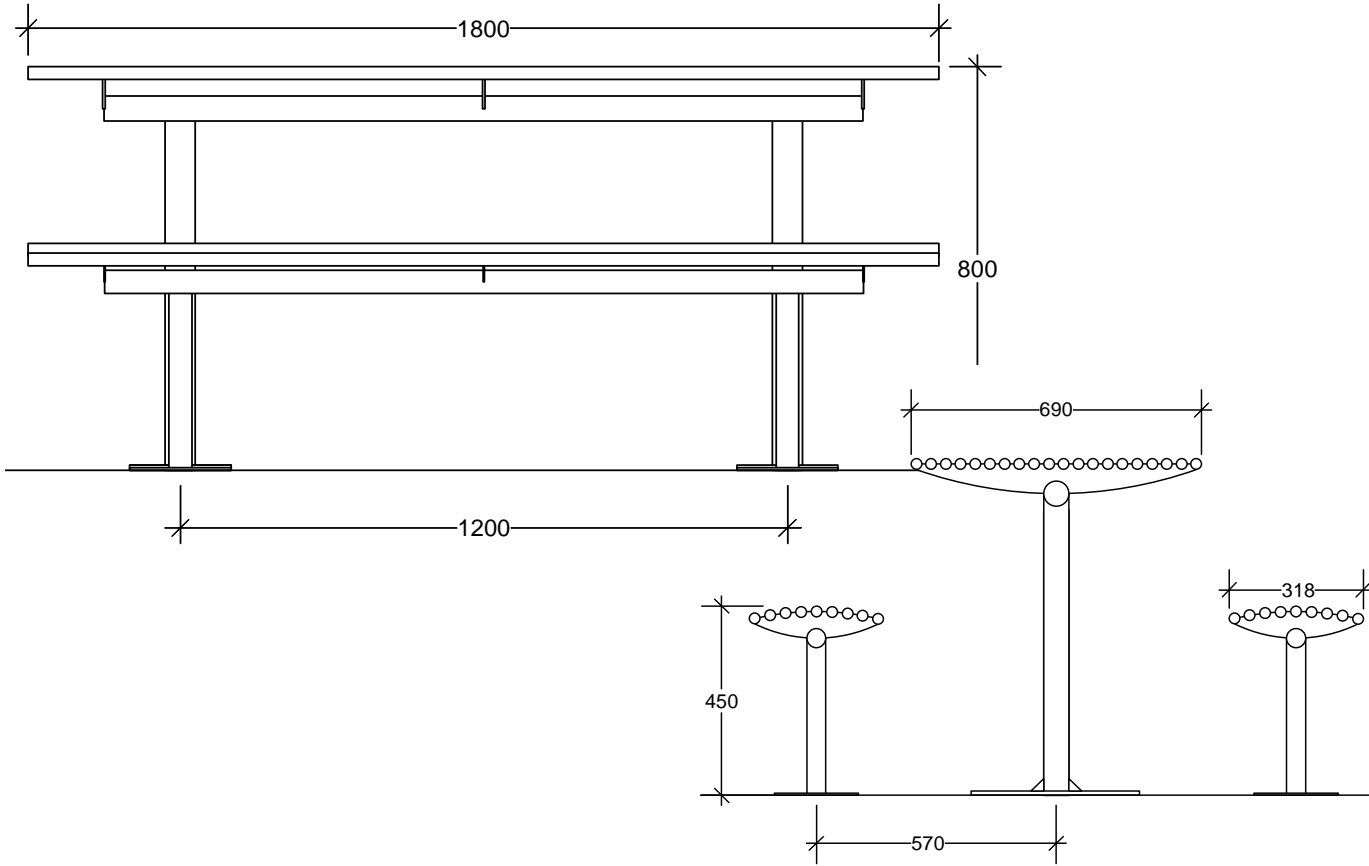
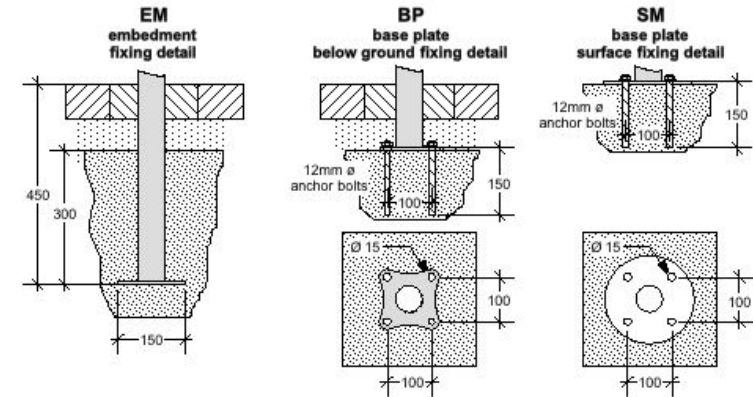


Baseline

BL025 picnic set



INSTALLATION METHODS



DIMENSIONS

LWH	As above
-----	----------

EXTRAS

AR	Disabled access
----	-----------------

FINISH CODES

PC	Powder coating on galvanised steel
----	------------------------------------

SS	316 stainless steel 320 grit
----	------------------------------

BD	Bespoke dimensions available
----	------------------------------

INSTALLATION CODES

EM	Embedment fixing
----	------------------

BP	Base plate below ground fixing
----	--------------------------------

SM	Base plate surface fixing
----	---------------------------