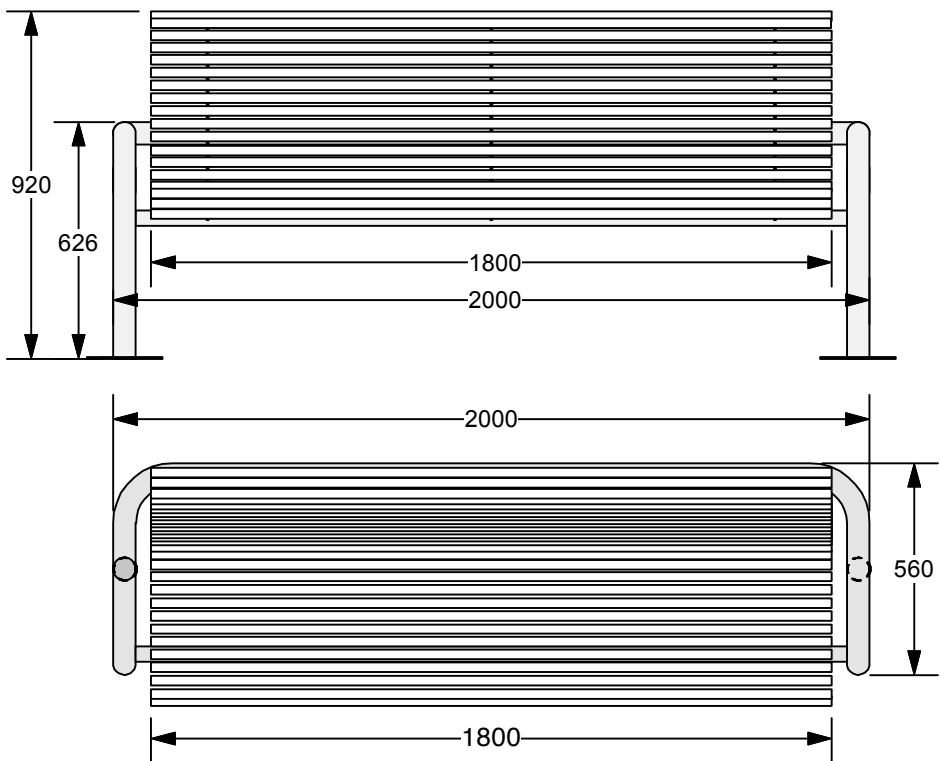
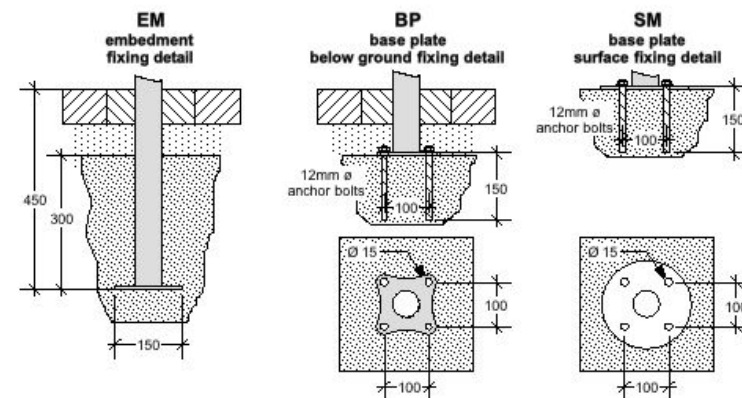


# Centerline

# CL001 seat



## INSTALLATION METHODS



## DIMENSIONS

LWH Length 1800mm Width 600mm Height 817mm

## FINISH CODES

PC Powder coating on galvanised steel

## INSTALLATION CODES

EM Embedment fixing

## EXTRAS

SS 316 stainless steel 320 grit

BP Base plate below ground fixing

AR Arm rests

BD Bespoke dimensions available

SM Base plate surface fixing