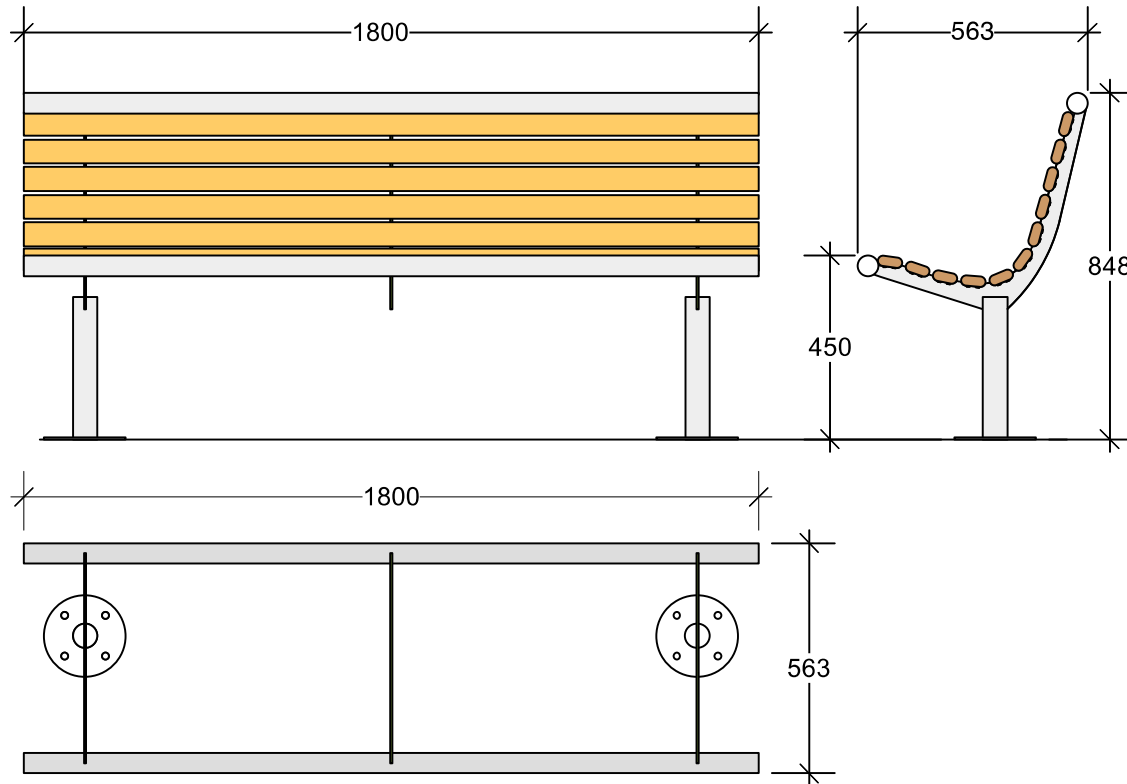
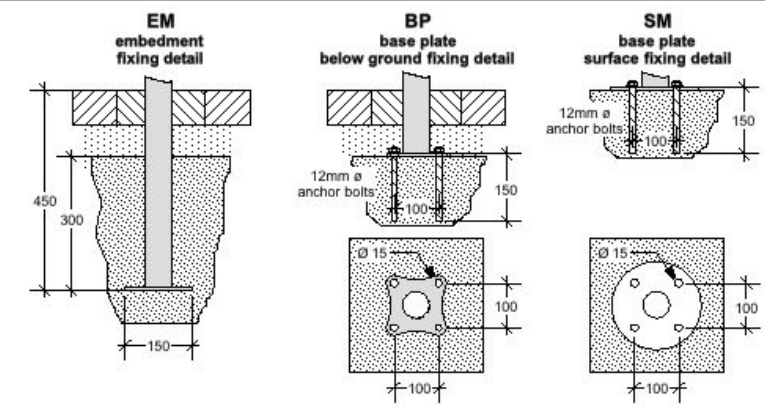


Shoreline

SL003 seat



INSTALLATION METHODS



DIMENSIONS

LWH Length 1800mm Width 563mm Height 848mm

FINISH CODES

- IR Iroko FCS approved
- DF Douglas Fir FCS approved
- BD Bespoke dimensions available

INSTALLATION CODES

- EM Embedment fixing
- BP Base plate below ground fixing
- SM Base plate surface fixing

EXTRAS

AR Arm rests – Anti skate