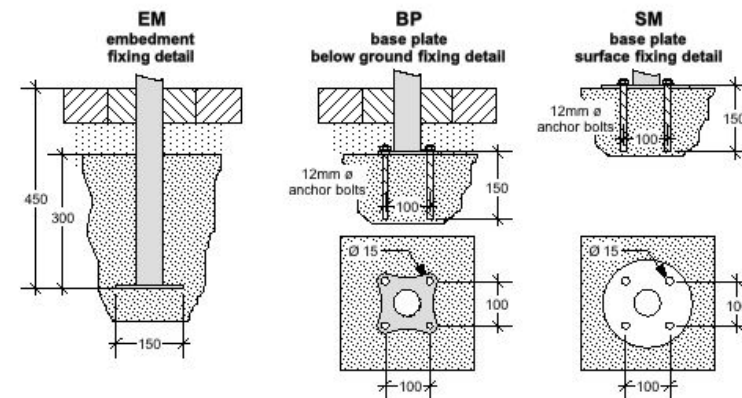


INSTALLATION METHODS



DIMENSIONS

LWH Radius 650mm Height 1060mm Capacity 80L

EXTRAS

FINISH CODES

IR Iroko FCS approved

DF Douglas Fir FCS approved

BD Bespoke dimensions available

INSTALLATION CODES

EM Embedment fixing

BP Base plate below ground fixing

SM Base plate surface fixing