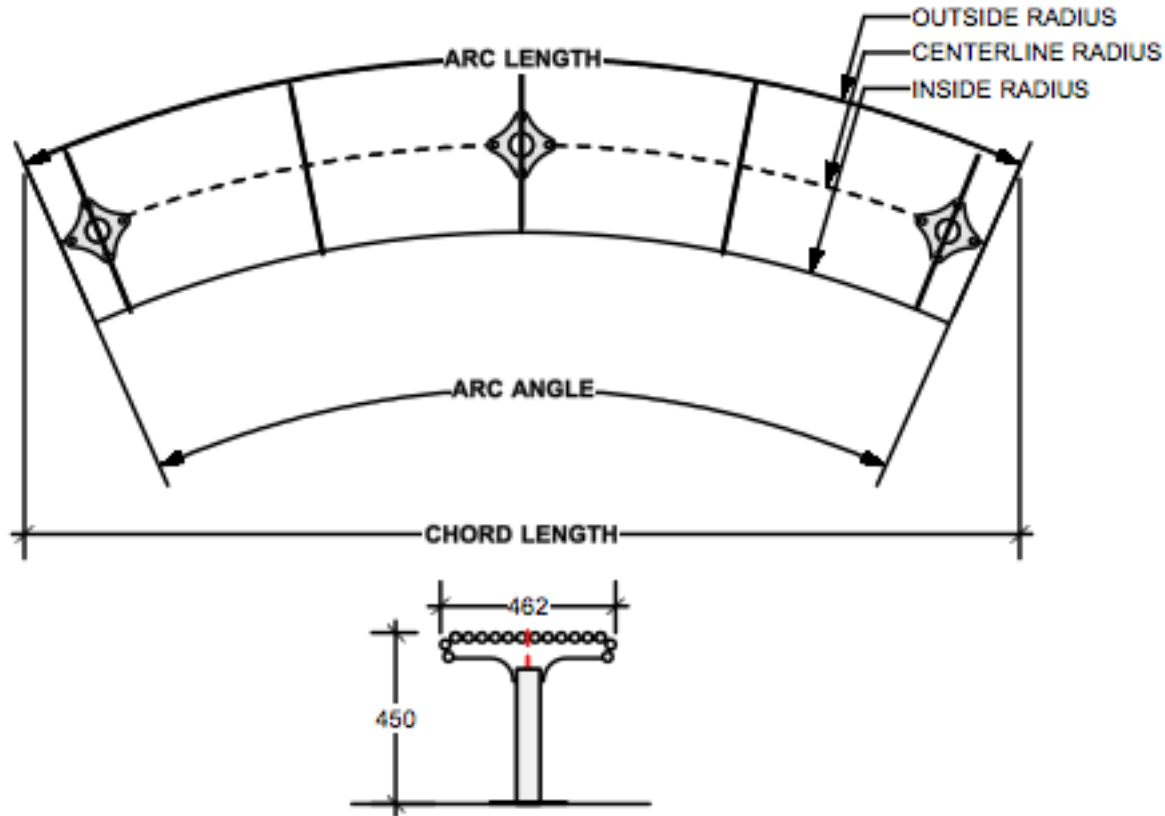
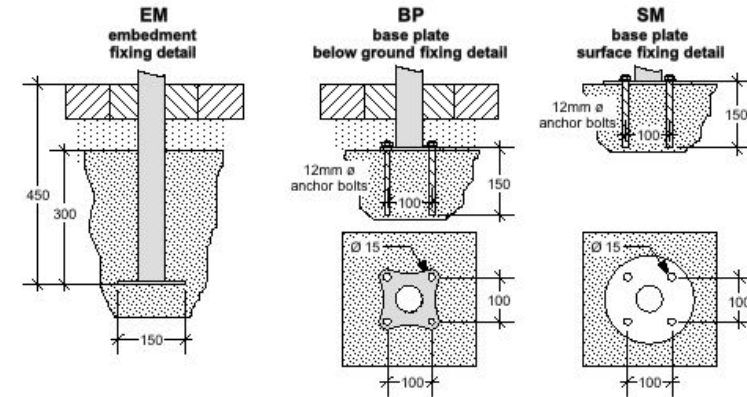


Centerline

CL005 bench



INSTALLATION METHODS



DIMENSIONS

LWH	Radius as requested Width 462mm Height 450mm
-----	--

EXTRAS

AR	Arm rests
----	-----------

FINISH CODES

PC	Powder coating on galvanised steel
SS	316 stainless steel 320 grit
BD	Bespoke dimensions available

INSTALLATION CODES

EM	Embedment fixing
BP	Base plate below ground fixing
SM	Base plate surface fixing