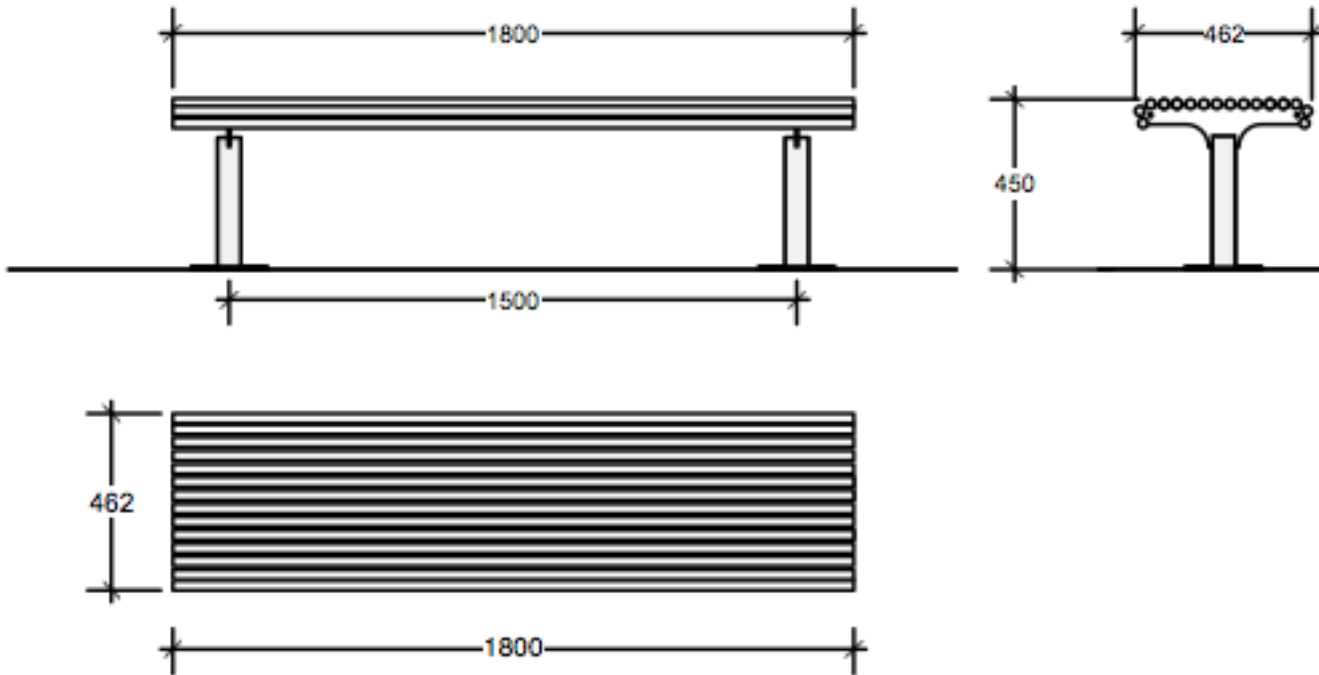
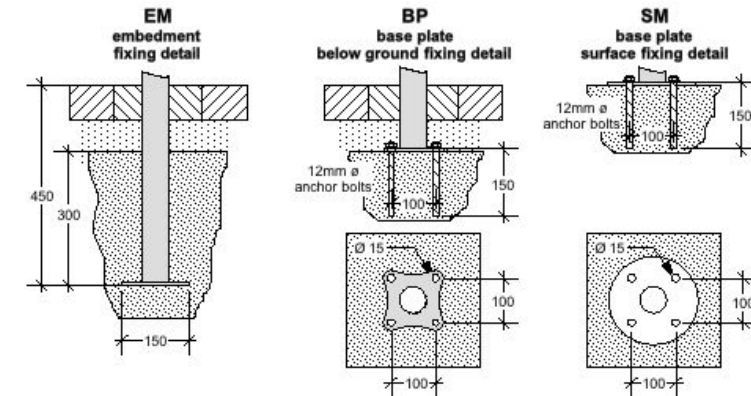


# Centerline

# CL006 bench



## INSTALLATION METHODS



## DIMENSIONS

LWH	Length 1800mm Width 462mm Height 450mm
-----	--

## EXTRAS

AR	Arm rests
----	-----------

## FINISH CODES

PC	Powder coating on galvanised steel
SS	316 stainless steel 320 grit
BD	Bespoke dimensions available

## INSTALLATION CODES

EM	Embedment fixing
BP	Base plate below ground fixing
SM	Base plate surface fixing