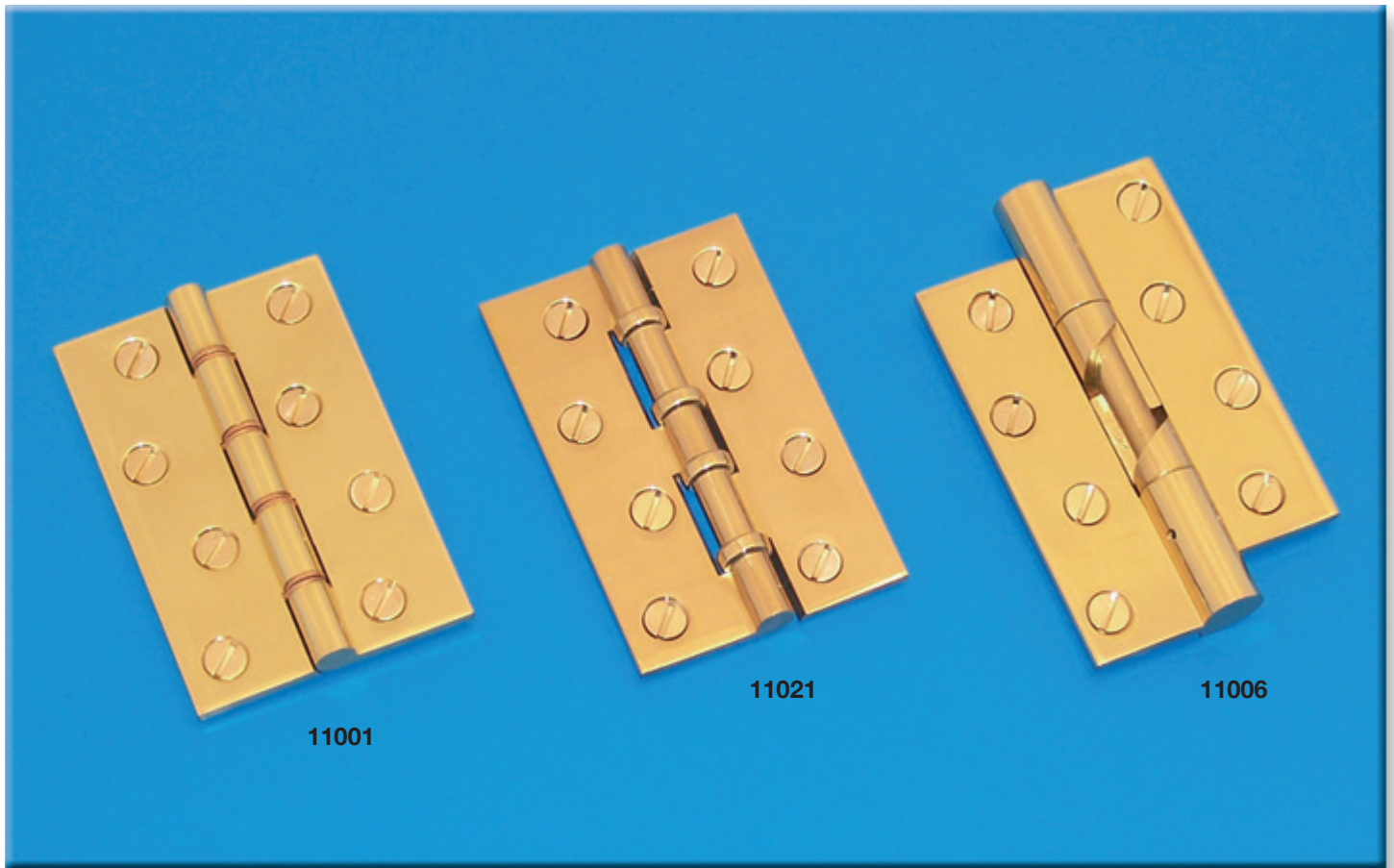


Silver Kite Architectural Ironmongery - Classic Range

Hinges - 1 of 7



Hinges marked with CE are suitable for use on 1/2 hour fire and escape doorsets, and are supplied with intumescent pads. Declaration of Performance is available for all CE marked products.

11001 Brass butt hinge
– double phosphor bronze
washed
– sizes

75 x 50
100 x 65
100 x 65 CE
100 x 75
100 x 75 CE
125 x 75
125 x 75 CE
150 x 75
150 x 75 CE

11006 Brass rising butt hinge
– handed, clockwise closing
illustrated
– sizes

75 x 60
100 x 65
Falling butt hinge also available, 11046 , sizes as 11006

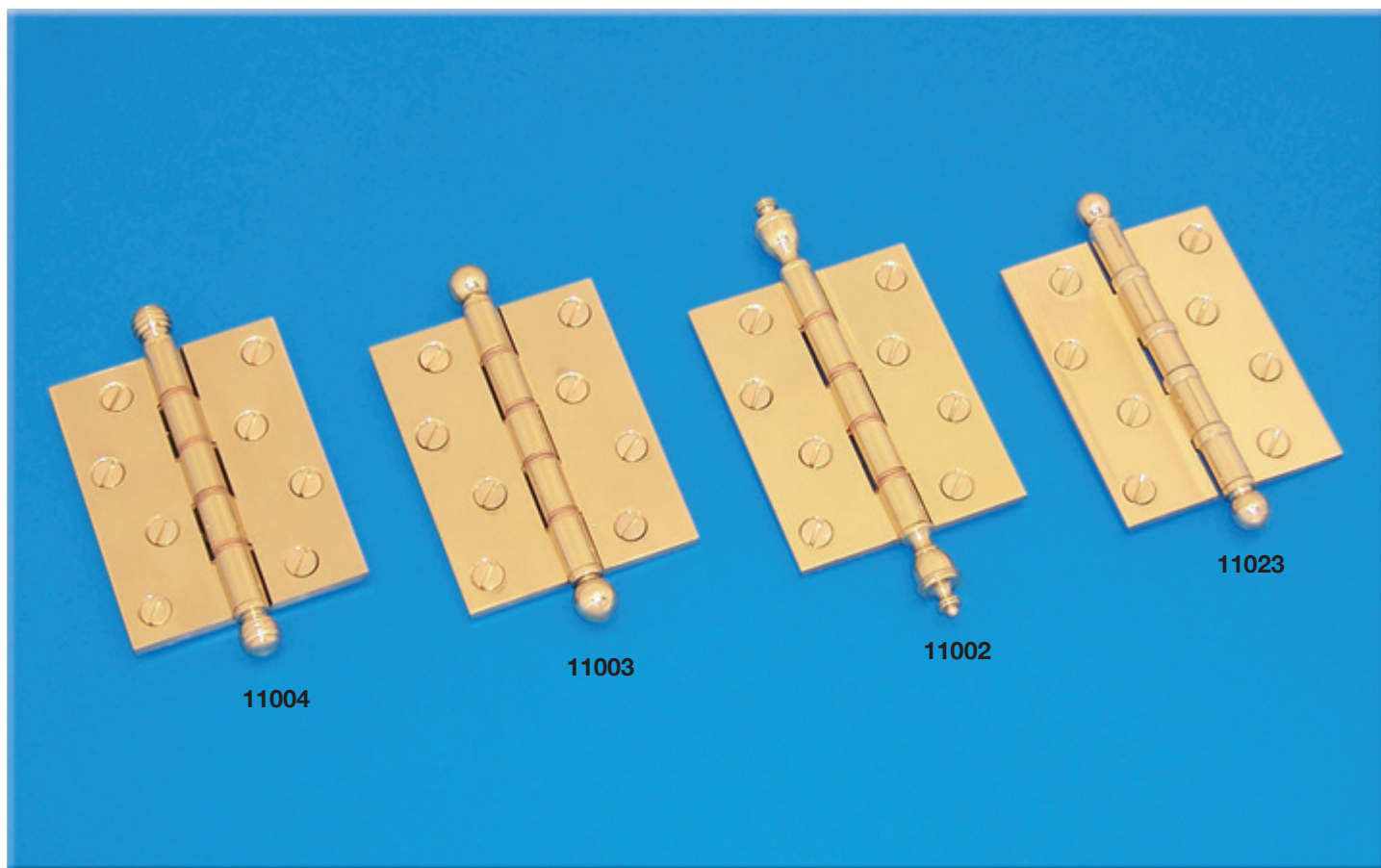
11021 Brass ball race butt
hinge
– sizes

100 x 65
100 x 65 CE
100 x 75
100 x 75 CE
125 x 75
125 x 75 CE
150 x 75
150 x 75 CE

Sizes – first dimension is
height of hinge, second
dimension is width when
open.

Silver Kite Architectural Ironmongery - Classic Range

Hinges - 2 of 7



Hinges marked with CE are suitable for use on 1/2 hour fire and escape doorsets, and are supplied with intumescent pads. Declaration of Performance is available for all CE marked products.

11002 Brass finial butt hinge
 – phosphor bronze washered
 – urn finial
 – sizes

75 x 50
100 x 65
100 x 65 CE
100 x 75
100 x 75 CE
125 x 75
125 x 75 CE
150 x 75
150 x 75 CE

11003 Brass finial butt hinge
 – phosphor bronze washered
 – ball finial
 – sizes

75 x 50
100 x 65
100 x 65 CE
100 x 75
100 x 75 CE
125 x 75
125 x 75 CE
150 x 75
150 x 75 CE

11004 Brass finial butt hinge
 – phosphor bronze washered
 – beehive finial
 – sizes

75 x 50
100 x 65
100 x 65 CE
100 x 75
100 x 75 CE
125 x 75
125 x 75 CE
150 x 75
150 x 75 CE

11023 Brass ball race finial butt hinge
 – ball finial
 – sizes

100 x 65
100 x 65 CE
100 x 75
100 x 75 CE
125 x 75
125 x 75 CE
150 x 75
150 x 75 CE

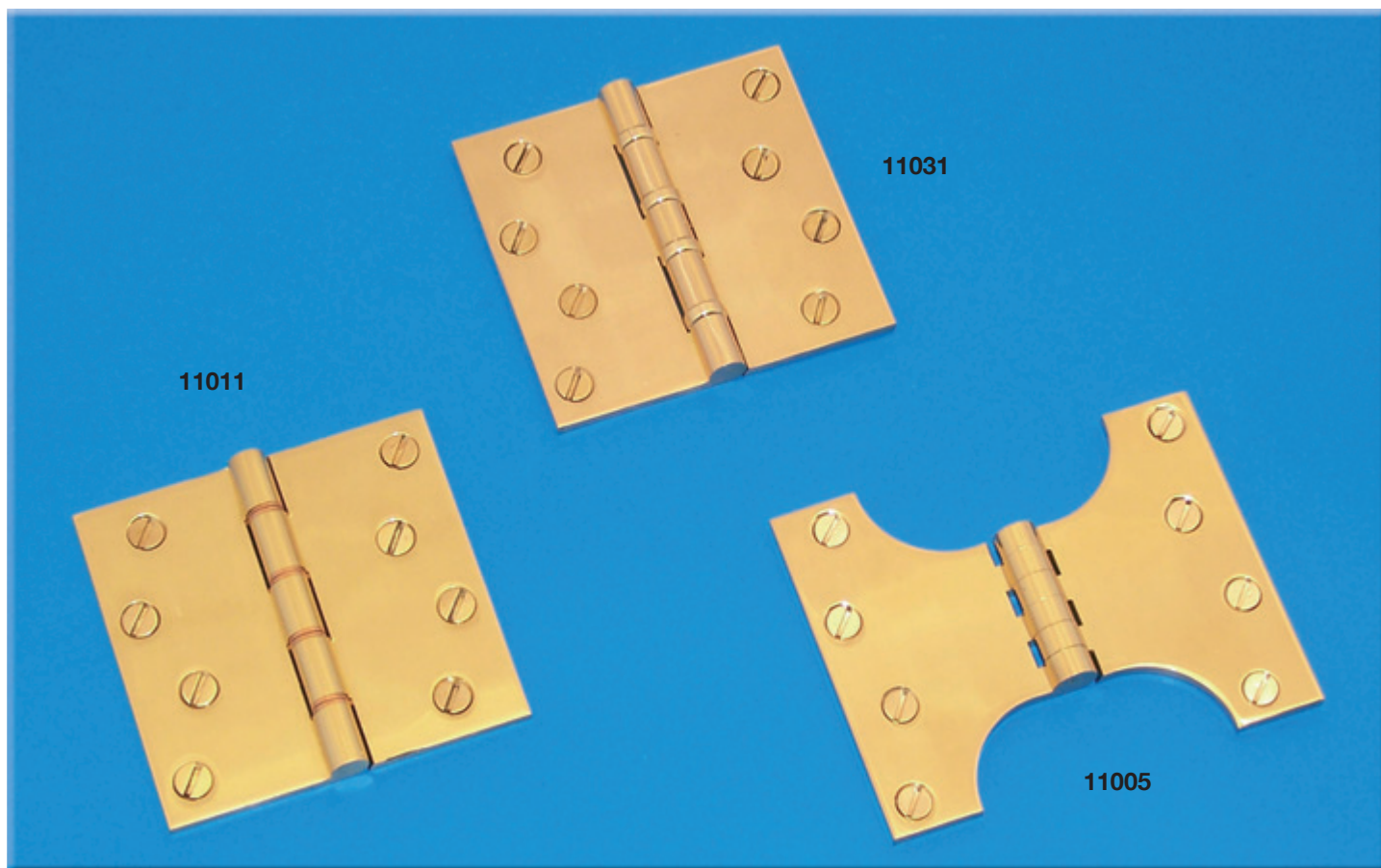
Also available,
11022 with urn finial and
11024 with beehive finial

Sizes – first dimension is height of hinge, second dimension is width when open.

Call us now on 01494 774779

Email: enquiries@silverkite.co.uk

Hinges - 3 of 7



Hinges marked with CE are suitable for use on 1/2 hour fire and escape doorsets, and are supplied with intumescent pads. Declaration of Performance is available for all CE marked products.

11005 Brass parliament hinge
– sizes

102 x 102, projection 64

102 x 127, projection 75

102 x 152, projection 100

11011 Brass projection butt hinge – double phosphor bronze washed
– sizes

100 x 100

100 x 100 CE

100 x 125

100 x 150

100 x 200

150 x 100

150 x 100 CE

Also available, **11012** with urn finial, **11013** with ball finial and **11014** with beehive finial, sizes as **11011**.

11031 Brass ball race projection butt hinge
– sizes

100 x 100

100 x 100 CE

150 x 100

150 x 100 CE

125 x 125

125 x 125 CE

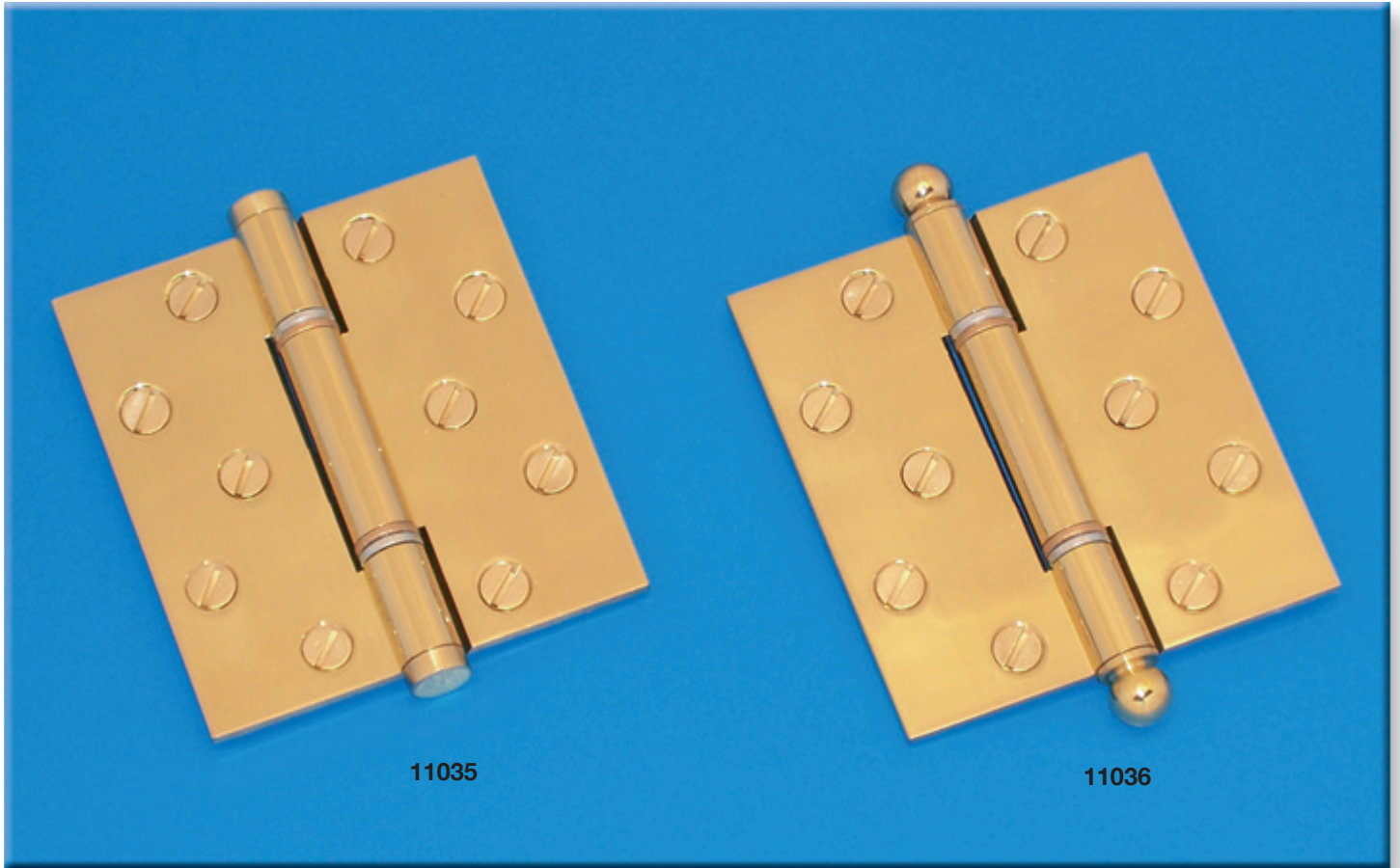
150 x 125

150 x 125 CE

Also available, **11032** with urn finial, **11033** with ball finial and **11034** with beehive finial, sizes as **11031**.

Sizes – first dimension is height of hinge, second dimension is width when open.

Hinges - 4 of 7



11035

11036

Hinges marked with CE are suitable for use on 1/2 hour and 1 hour fire and escape doorsets, and are supplied with intumescent pads.

Declaration of Performance is available for all CE marked products.

11035 Brass high performance butt hinge
– sizes

100 x 88

100 x 88 CE

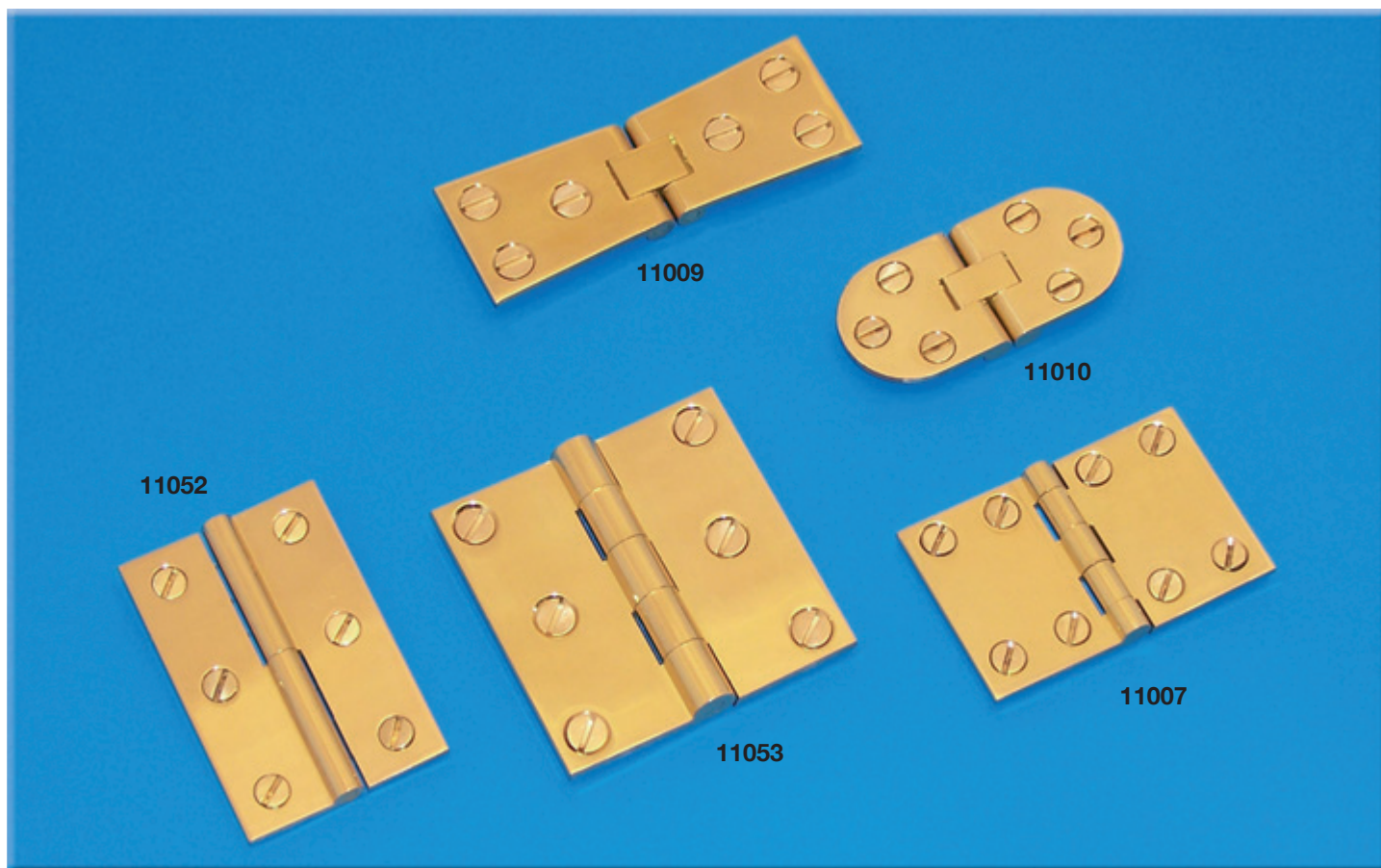
11036 Brass high performance butt hinge
– sizes

100 x 88

100 x 88 CE

Sizes – first dimension is height of hinge, second dimension is width when open.

Hinges - 5 of 7



11007 Brass back flap hinge

– sizes

32 x 48

38 x 60

51 x 76

76 x 127

11009 Brass counter flap hinge

– sizes

25 x 76

32 x 101

38 x 114

11010 Brass counter flap hinge

– sizes

34 x 76

11052 Brass lift off hinge –

handed, clockwise closing illustrated

– sizes

75 x 42

75 x 50

11053 Brass projection butt hinge

– unwashed

– sizes

75 x 75

100 x 100

150 x 100

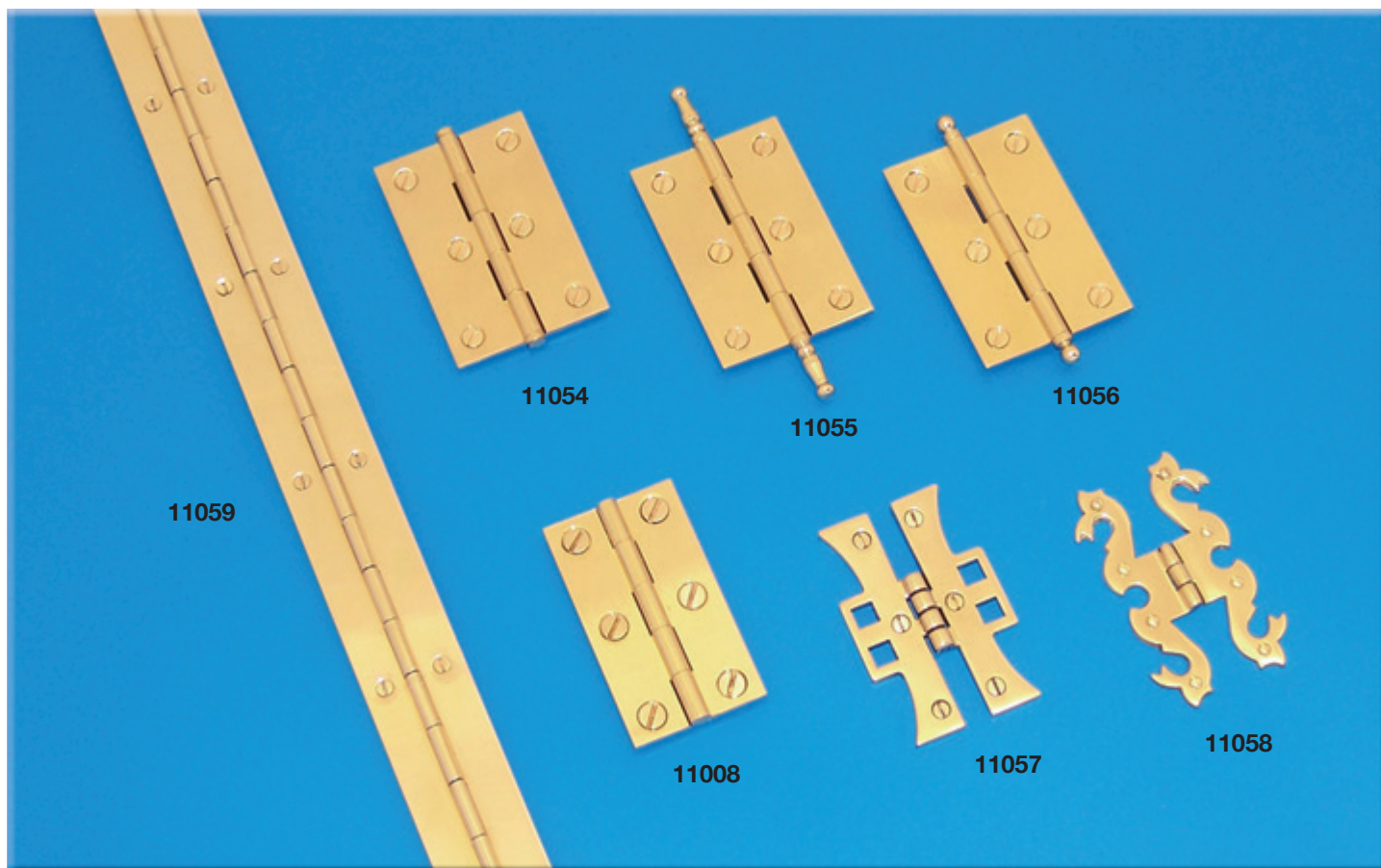
125 x 125

150 x 125

Sizes – first dimension is height of hinge, second dimension is width when open.

Silver Kite Architectural Ironmongery - Classic Range

Hinges - 6 of 7



11008 Brass butt hinge –
unwashed
– sizes

38 x 23

51 x 28.5

51 x 38

63 x 28.5

63 x 35

75 x 35

75 x 42

75 x 50

75 x 60

100 x 60

100 x 65

100 x 75

125 x 75

150 x 75

11054 Brass finial butt hinge
– unwashed
– button finial
– sizes

38 x 38

50 x 38

50 x 50

63 x 50

63 x 63

75 x 50

11055 Brass finial butt hinge
– unwashed
– steeple finial
– sizes

38 x 38

50 x 38

50 x 50

63 x 50

63 x 63

75 x 50

11056 Brass finial butt hinge
– unwashed
– ball finial

38 x 38

50 x 38

50 x 50

63 x 50

63 x 63

75 x 50

11057 Brass cabinet hinge
– unwashed
– sizes

75 x 47

11058 Brass cabinet hinge
– sizes

75 x 45

11059 Brass continuous
hinge (also available in steel,
stainless steel and aluminium)
– size

1830 x 25

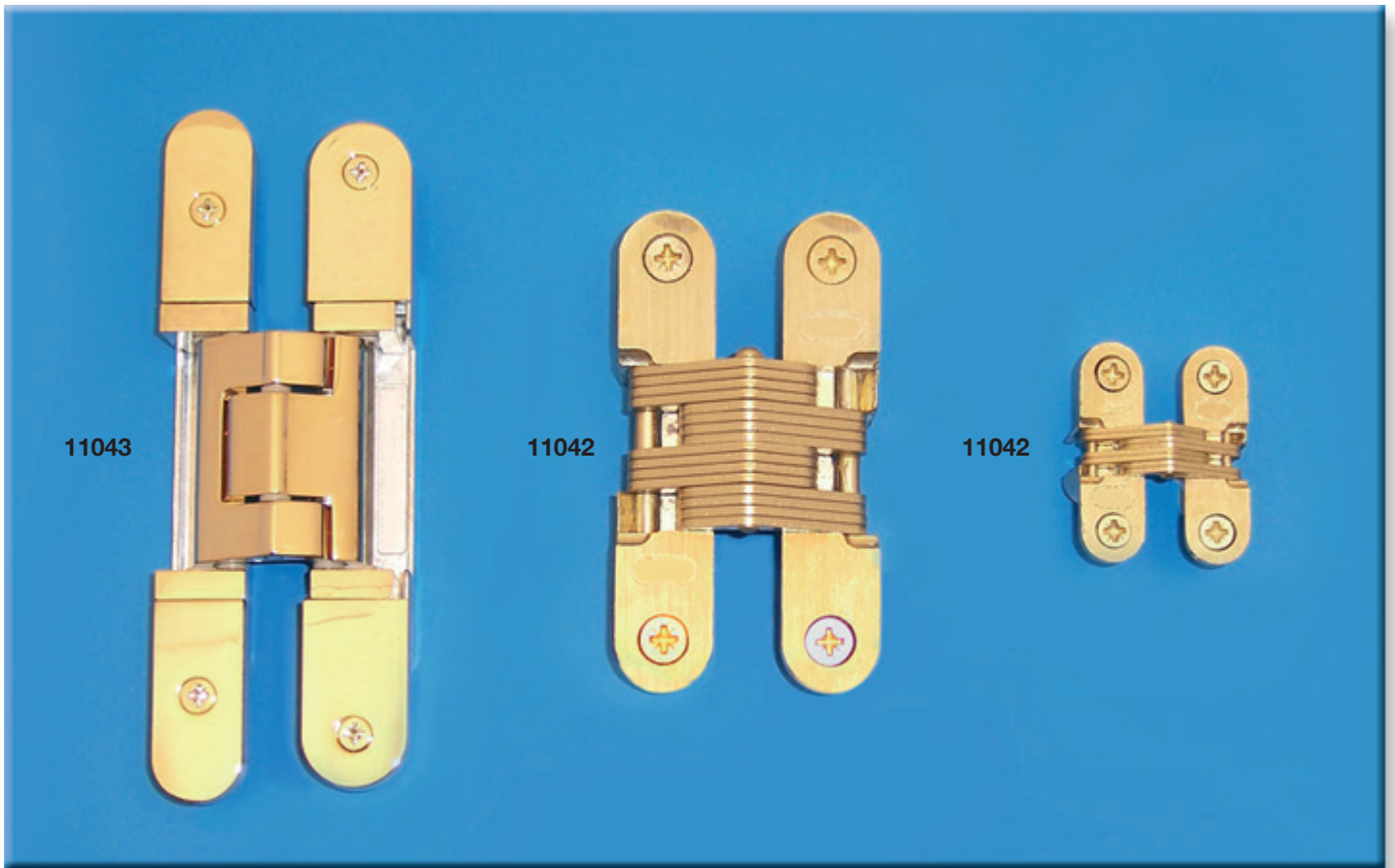
1830 x 32

1830 x 38

Sizes – first dimension is
height of hinge, second
dimension is width when
open.

Call us now on 01494 774779

Email: enquiries@silverkite.co.uk



11042 Brass concealed hinge

– sizes

– height 38, 42, 44, 60, 70, 95, 117, 140

11043 Concealed hinge

– adjustable

– sizes

– height 140, 180, 210
