

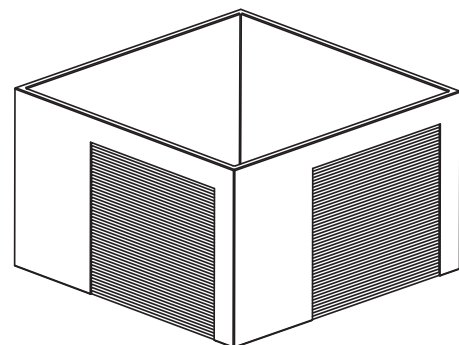
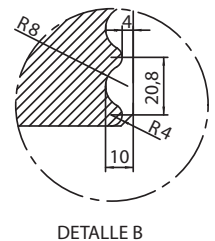
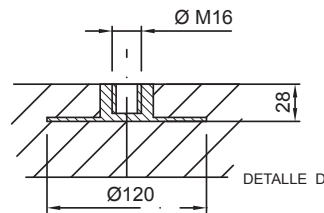
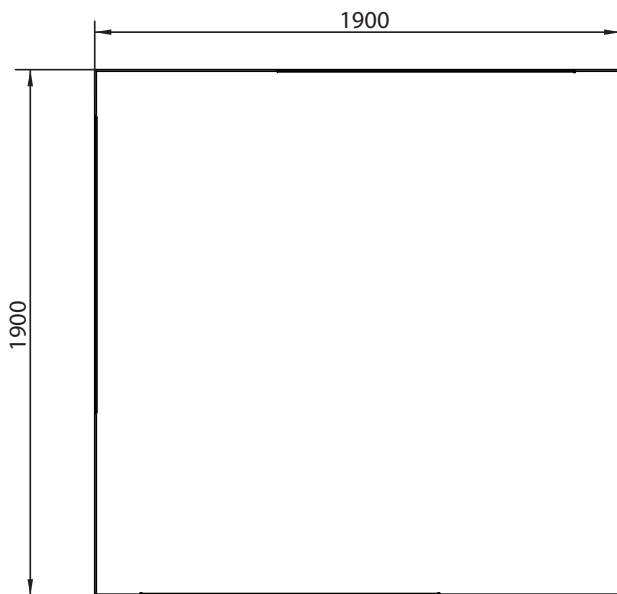
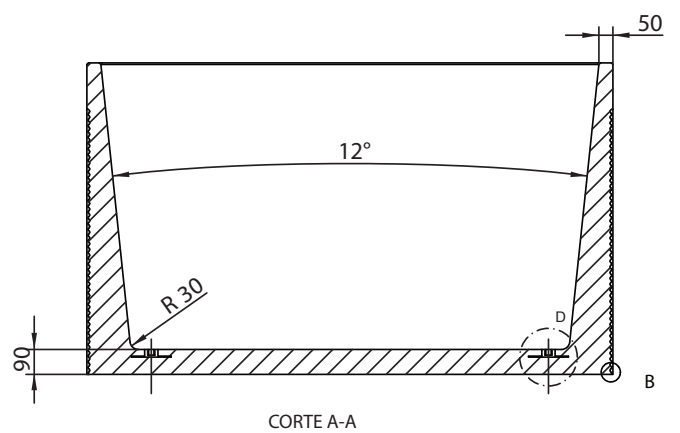
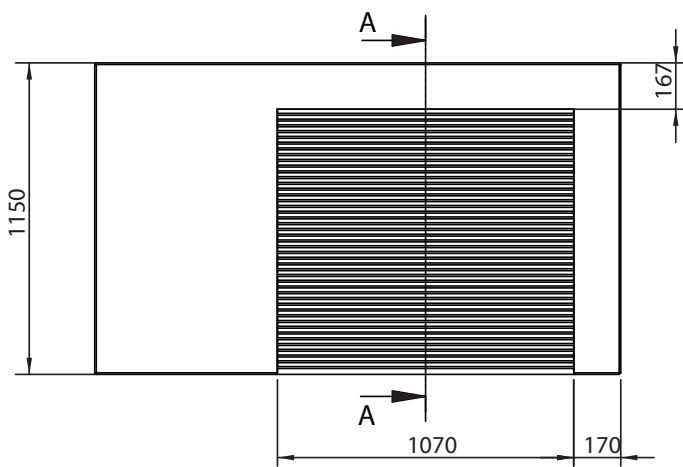
Tanit Planter



## Tanit Planter: L



materials:	cast concrete
finish:	(consult Public Spaces for options)
dimensions:	1900mm x 1900mm x 1150mm
additional features:	weight: 2286Kg



VISTA INFERIOR

VISTA ISOMETRICA



## Tanit Planter: M



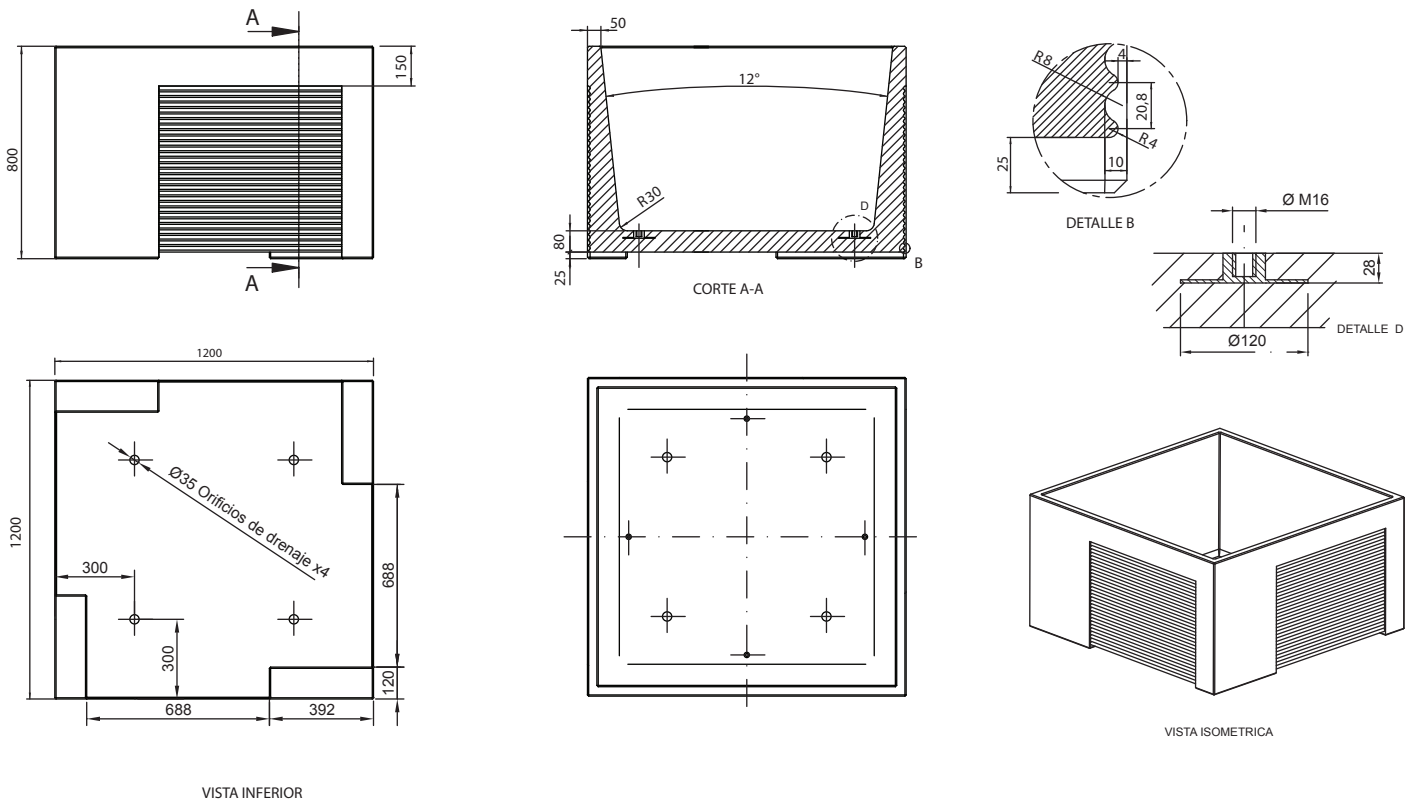
materials:	cast concrete
finish:	(consult Public Spaces for options)
dimensions:	1500mm x 1500mm x 800mm
additional features:	weight: 1150Kg

(Drawing unavailable at this time)

## Tanit Planter: MS



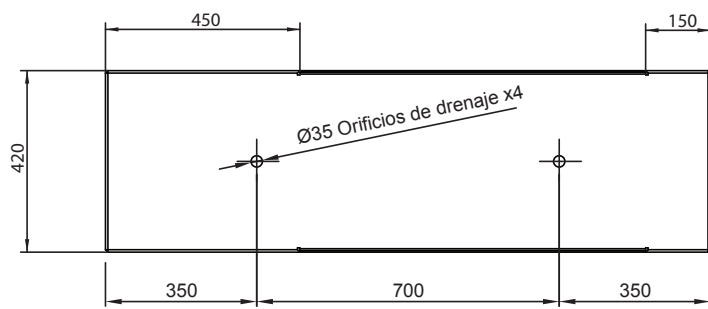
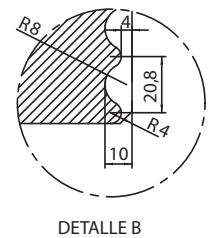
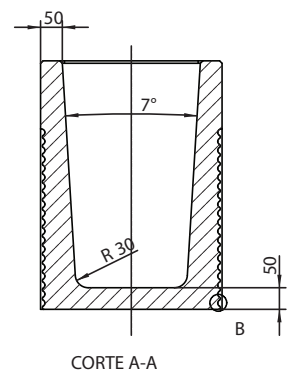
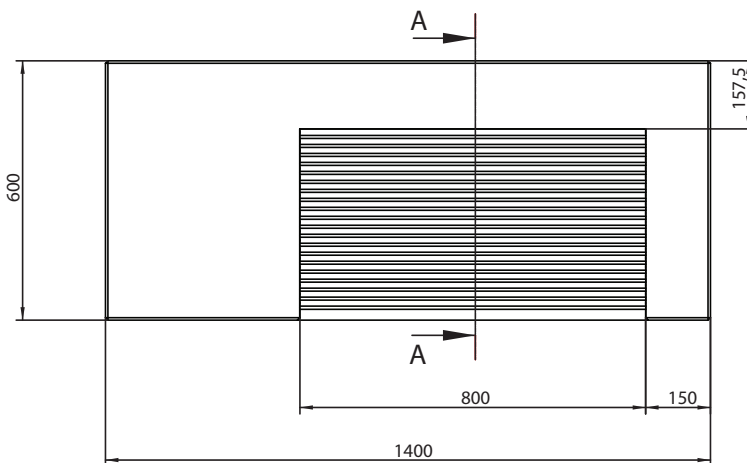
materials:	cast concrete
finish:	(consult Public Spaces for options)
dimensions:	1200mm x 1200mm x 800mm
additional features:	weight: 940Kg



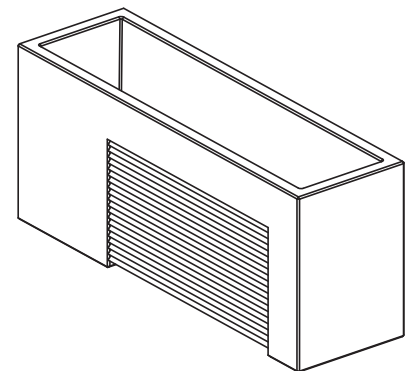
## Tanit Planter: S



materials:	cast concrete
finish:	(consult Public Spaces for options)
dimensions:	1400mm x 420mm x 600mm
additional features:	weight: 350Kg



VISTA INFERIOR



VISTA ISOMETRICA