

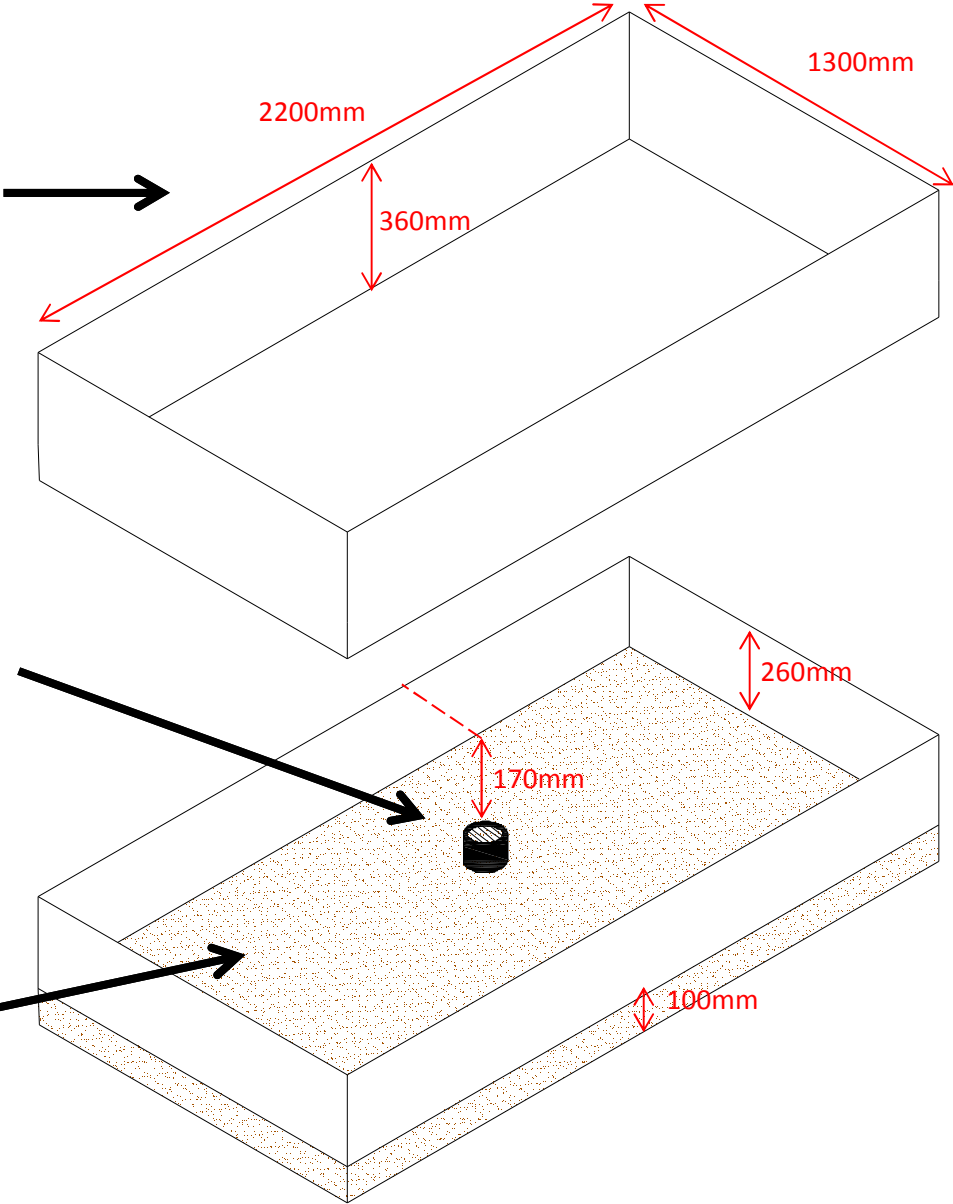
Groundwork Foundation Preparation for Piano Chimes

1. Excavate hole below finished installation level (including surfacing) with dimensions of 2200mm x 1300mm x 360mm.

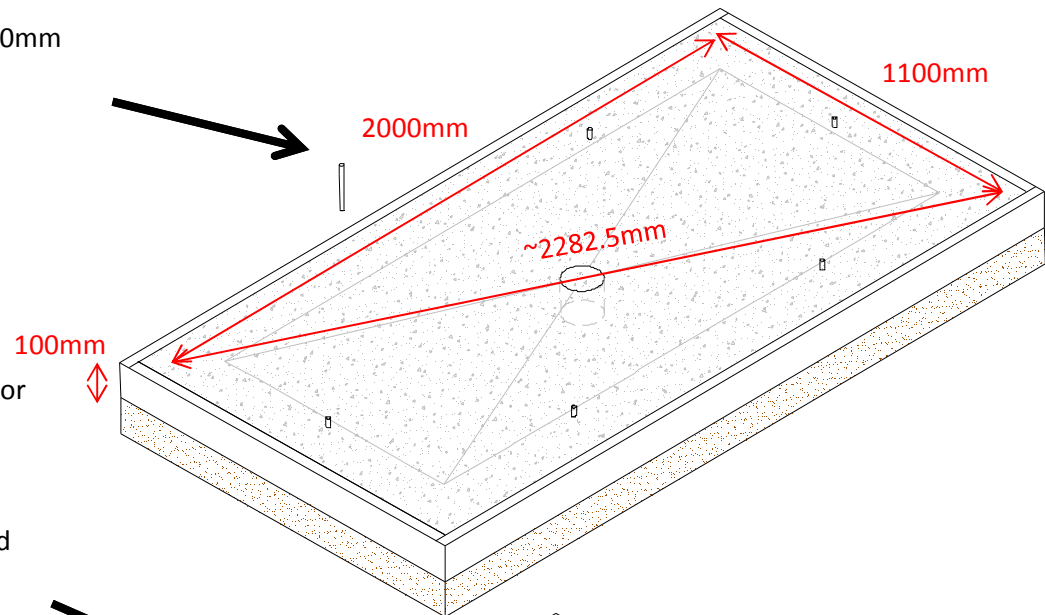
2. To prevent flooding the foundations should be connected to a rainwater drainage system such as a storm drain or soakaway.

3. Install drainage inlet centrally in excavated area 170mm from finished ground level. This will allow for a slight fall in the concrete pad to encourage water run-off.

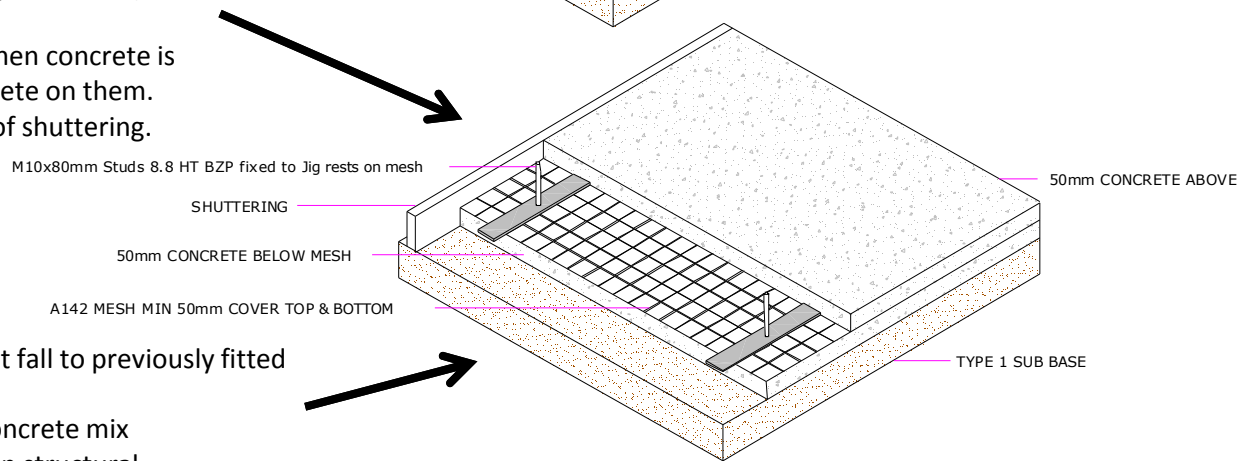
4. Lay a level compacted 100mm granular sub-base over a geo-textile. This will help to spread the load of the concrete installation pad.



5. Create timber shuttering on top of compacted sub-base with an internal area of 2000mm x 1100mm x 100mm.
 - Note – finished height to top of shuttering should be 160mm below finished installation level (including surfacing).
 - To ensure shuttering is square, internal diagonal measurements should be ~2282.5mm.



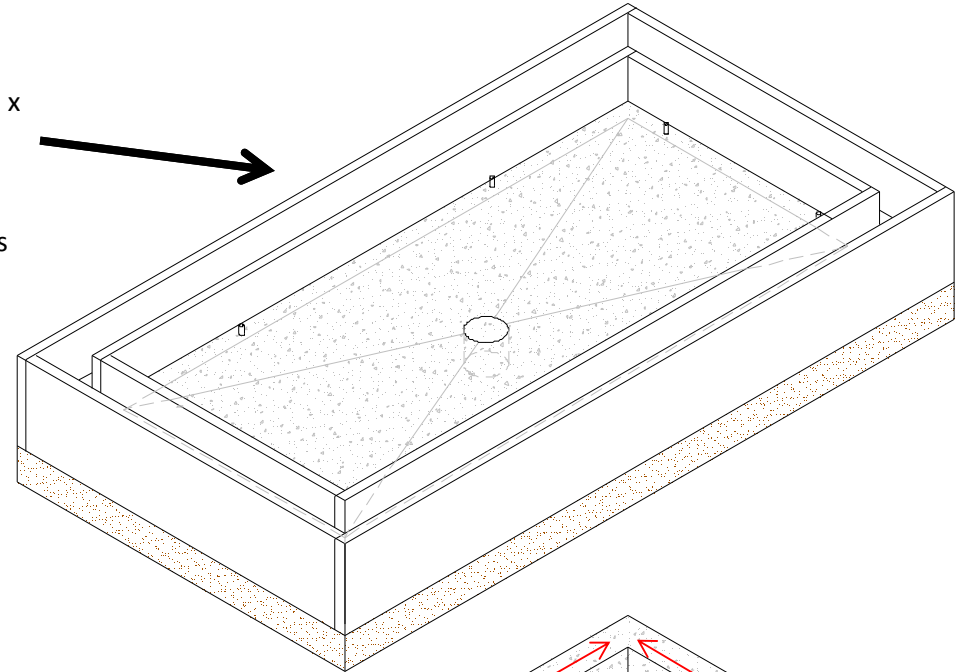
6. Install A142 steel reinforcing mesh (or similar) on 50mm plastic or steel supports or “chairs” to hold mesh vertically centred in shuttering area.
7. Install the supplied installation studs jig on top of steel mesh and centre between shuttering and affix in place using cable ties (to ensure no movement when concrete is poured).
 - Note – threaded studs must be covered when concrete is poured to ensure threads do not get concrete on them.
 - Threads should protrude 30mm from top of shuttering.



8. Pour 100mm depth concrete pad and create slight fall to previously fitted drainage inlet.
 - Consider mixing reinforcement fibres in concrete mix predominantly for crack control rather than structural strengthening.
 - Allow to poured concrete pad to cure for 24-72 hours before proceeding to next step.
 - Remove shuttering after 24-72 hours.

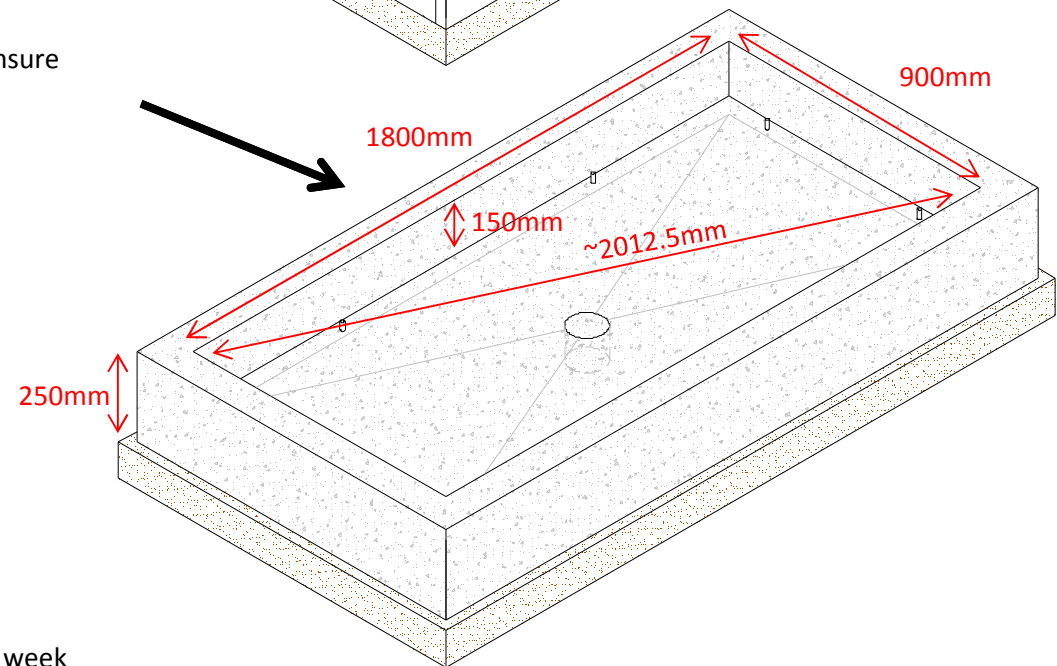
9. Create timber shuttering onto concrete pad to cast concrete walls to create an internal area (after shuttering has been removed) of 1800mm x 900mm x 150mm.

- Note – finished height to top of shuttering should be 10mm below finished installation level (including surfacing).
- To ensure shuttering is square, external diagonal measurements should be ~2012.5mm.



10. Pour concrete between shuttering to cast concrete walls and ensure walls are filled to top of shuttering and level.

- Consider mixing reinforcement fibres in concrete mix predominantly for crack control rather than structural strengthening.
- Remove shuttering after 24-72 hours.



11. Backfill with soil or aggregate around external walls.

12. We recommend allowing concrete to cure for a minimum of 1 week prior to installing Floor Piano.