



Altus Latus Display Board

Display board made up of two vertical elements in two diameters and two heights, entirely in aluminium but with a steel internal post, and signage board, inserted in the vertical grooves and fixed with hidden stainless steel screws. The board, in steel tube with steel sheet end caps, is designed with an upper steel element which is shaped for adhesive logos, coats of arms or text to be displayed. Product is root fixed.

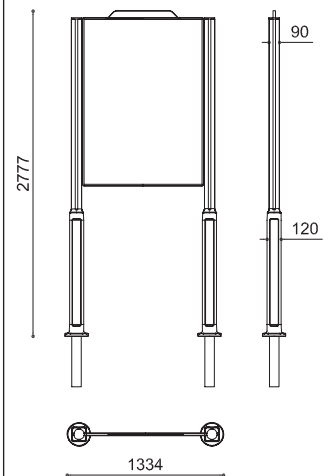
Specification

Materials

Posts - powder coated aluminium
Signage - powder coated steel

Dimensions

H: 2407/2777mm
W: 1334/1734mm
D: 120mm



(Technical Drawings for variants available on request)

artform
urban furniture