



Arcata Seat

Bold and beautiful. With robust structure and visual sweep, Arcata meets the measure of expansive outdoor spaces offering a unique combination of classic and contemporary forms. Arcata, designed by Kipp Stewart, renders the classic slatted-seat bench in contemporary form and materials. Its utility and flair are a fine fit for city parks, river fronts and corporate and university campuses. Arcata with back and arms embodies stability and comfort. Backless, it expresses pure sculptural form.

Specification:

Materials:

Wood. Aluminium. PolySite recycled plastic.

Finish:

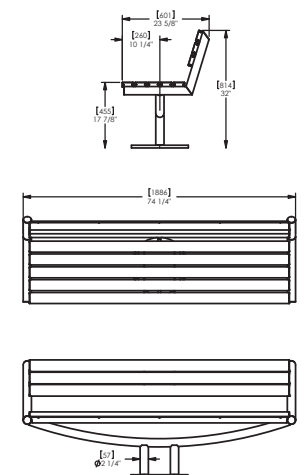
Pangard II powder coated

Fixings:

Surface mount. Below ground installation

Dimensions

H: 810mm
W: 1880mm
D: 610mm



artform
urban furniture