



Circle Cycle Stand

The Circle cycle stand is manufactured from machine folded tubular steel with an integrated design to attach bikes or to display logos. The stand is available as surface mount and comes with pre-drilled elliptical base plates. Alternatively inserts for in-ground concreting are available in tubular steel with threaded plates to be fixed in the base plate. The Circle Bike Rack can also be used as a modular barrier.

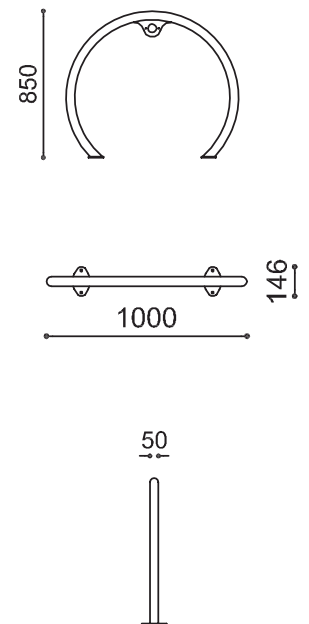
Specification

Materials

Frame - stainless steel; powder coated steel

Dimensions

H: 850mm
W: 1000mm
D: 146mm



(Technical Drawings for variants available on request)

artform
urban furniture