



## Diamante Bench

The Diamante Seat is available in four versions. The empty and the full version are both manufactured from 10mm steel, galvanised and powder coated. The flower box version is created from 2.5mm thick galvanised and painted steel sheet. The version with an armrest is made in 10mm thick stainless steel or galvanised and painted plate. All the surfaces may be added to each other either lengthways or widthways and can be equipped with different kinds of supports and seats. The linear surfaces can be supplied, as an alternative, with a stainless steel or painted tubular steel backrest, fastened with brass screws and stainless steel bolts. The wood used is given two coats of UV resistant water-based varnishes. Available in various designs. Please contact us for further information.

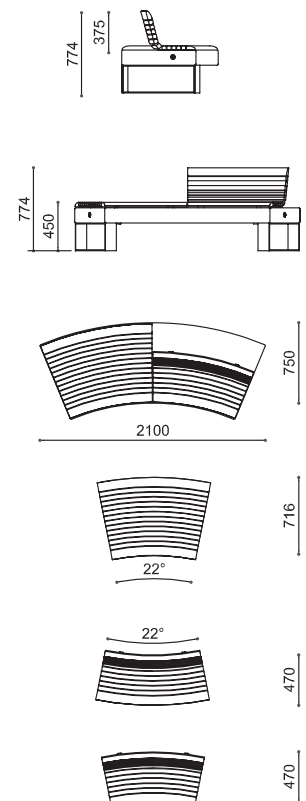
### Specification:

#### Materials:

Galvanised and powder coated steel. Stainless steel. Timber. Stone

### Dimensions

Height: 450 / 774mm  
Width: 2100mm  
Depth: 750mm



**artform**  
urban furniture