

Mizar Seat

Monolithic seat in Performance Concrete (HPC) with VELVET finish. Pedestrian bollard made of Performance Concrete (HPC), VELVET finish, with stainless-steel eyebolt. Available with stainless-steel horizontal bar in the modular barrier version.

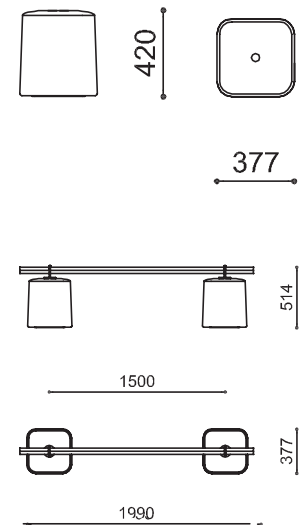
Specification:

Materials:

Seat - performance concrete (HPC)

Dimensions

H: 450mm
W: 377mm
D: 377mm



(Technical Drawings for variants available on request)

artform
urban furniture