



Ring Cycle Stand

A simple circle hovering above ground, provides an artful solution for bicycle storage and security. The cycle stand is manufactured from stainless steel tubing with a satin electropolish finish on bare stainless steel. The Ring is also available in powdercoated steel. The Ring must be embedded. The stand can secure two bicycles parked parallel to the rack. The bicycles can be headed in opposite directions, or in the same direction. The stand provides two-point contact to prevent the bicycle from tipping over. A standard D-shaped bike lock can secure both a wheel and the frame.

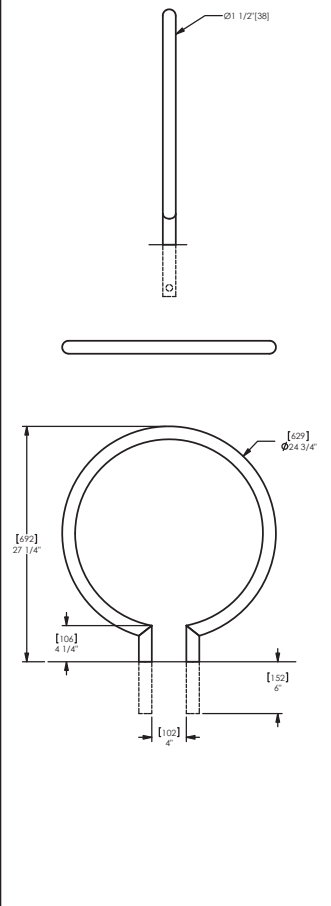
Specification:

Materials:

Powder coated steel or stainless steel.

Dimensions

Height: 692mm
Width: 629mm
Depth: 38mm



artform
urban furniture