



Loop Cone Table

Loop Cone Table may be combined with different seating elements that enables a large number of configurations. For instance Loop Cone Table may be combined with Loop Arc to create a wave pattern of seating with tables interposed. Using HopOp seating bollards on the other hand creates the Loop Picnic set.

The material is suitable for recycling.

Specification:

Materials:

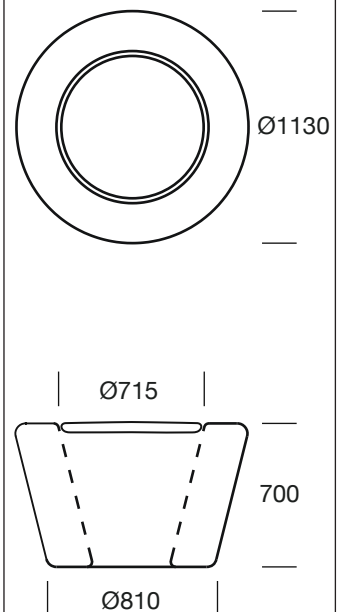
Rotation moulded polyethylene

Fixing:

Surface Mounted or fill with water/sand

Dimensions

Dia: 1130mm
H: 700mm



artform
urban furniture