



Bull Picnic Set

The Bull Picnic Set is composed of the Bull Picnic Table and two Bull Benches or Seats, made from solid timber and steel supports. Available in powder coated steel, corten steel or stainless steel

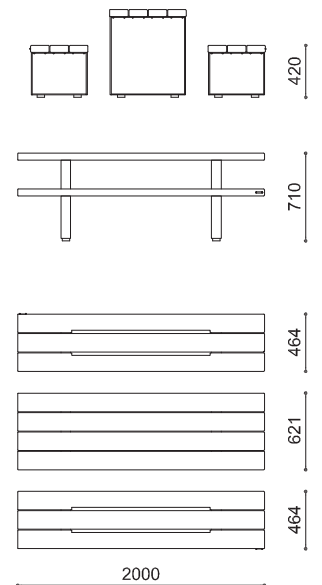
Specification:

Materials:

Frame - steel, corten steel, stainless steel
Table top - timber

Dimensions

H: 710mm
W: 2000mm
D: 621mm



artform
urban furniture