



## Strata Beam Seat

The STRATA Beam Seat marries Meldstone technology with timber in a stylish variation on the concrete and timber classic. Cast concrete anchoring elements are bridged by timber slats to form an uninterrupted span. The end pieces are subtly faceted, providing a pleasing play between light and shadow. The timber seat offers warmth and softness where the body interacts with the material. Optional arms are available. STRATA Beam is solidly grounded while retaining a lightness of scale appropriate for use in multiple applications. A natural complement to the original STRATA Seat, it is designed for use with STRATA tables to create comfortable outdoor settings with a decided design edge.

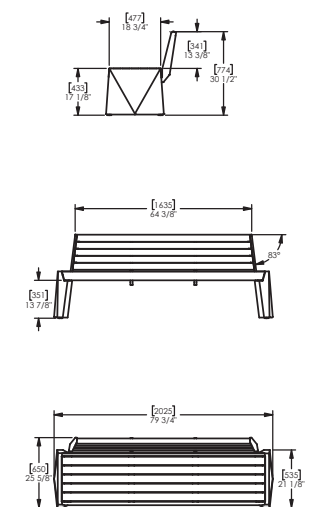
### Specification:

#### Materials:

Frame - cast concrete  
Seat - timber

### Dimensions

H: 774mm  
W: 2025mm  
D: 650mm



(Technical Drawings for variants available on request)

