

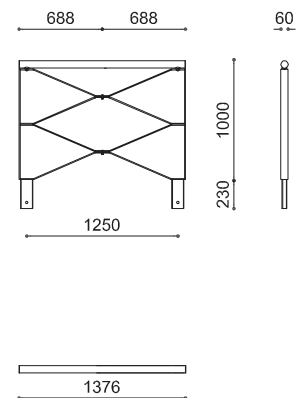


Gitter

Gitter is a modular barrier made up by connecting thick, folded plates, shaped like a large mesh net. The handrail is a cylindrical stainless-steel tube. The panel is also available in a "terminal" version (half panel with vertical plate) which is prepared for installation into concrete foundations due to the lower foot in the rectangular tube. Below Ground Installation.

Dimensions

H: 1000mm
W: 1376+mm
D: 60mm



(Technical Drawings for variants available on request)

