



Natural Puzzle Bench

The Natural Puzzle Bench is a monolithic leaf-like shaped bench, made of reconstituted marble or granite. The elements can be used singularly or combined together like in a puzzle, to form various shapes. Please note: This product offer uses a different and smaller aggregate mix which includes a velvet finish to other products within our stone range. If you require a mixture of products from our stone collection on your scheme and require a consistent finish throughout, please speak to our team who will be happy to help.

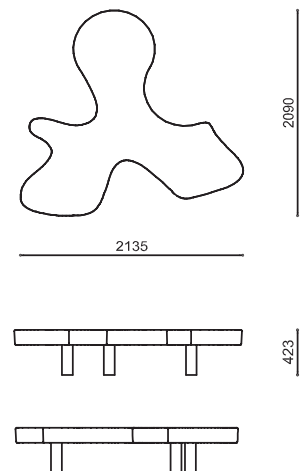
Specification

Materials

Bench - reconstituted marblestone/granite

Dimensions

H: 423mm
W: 2135mm
D: 2090mm



(Technical Drawings for variants available on request)

