



Foglia Shelter

The Foglia Shelter is made up of three tube uprights with base plates. The roof has a 2% slope and is made up of a steel infill support frame, upper and lower, with 30mm thick shaped insulated panel modules. On the upper side of the roof, the appropriate slope of one of the panels ensures the water runs inside one of the support columns. All metal parts are hot zined and polyester powder coated.

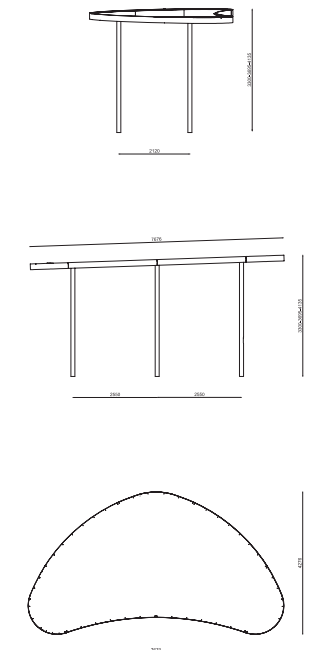
Specification:

Materials:

Galvanised and Powder Coated Steel.

Dimensions

H: 3300mm - 4135mm
W: 7676mm
D: 2120mm



(Technical Drawings for variants available on request)

