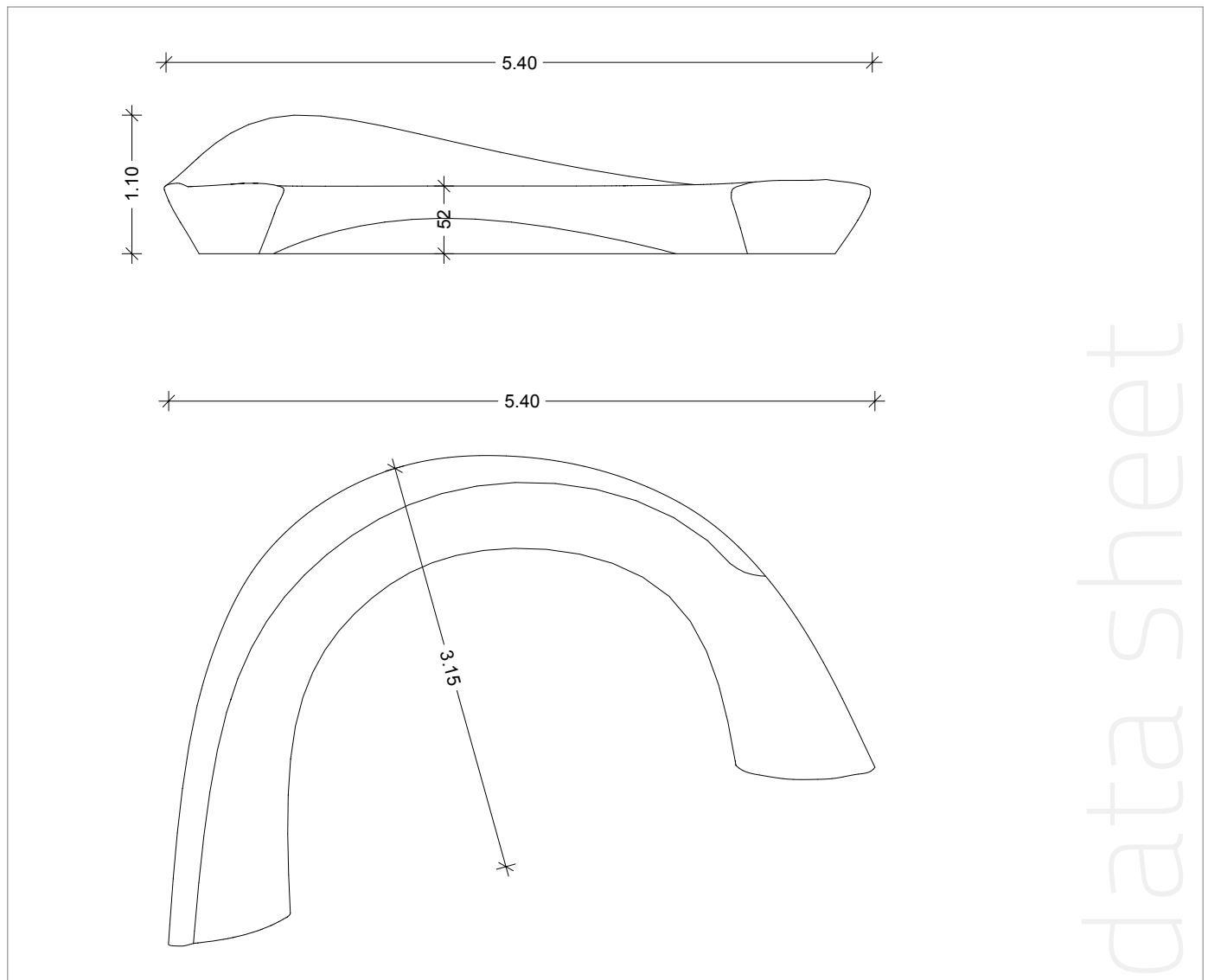


Boomer One

Design: Studio B

Boomer One is a sculptural bench of one piece made of high-quality glass fibre concrete in smooth finish.



data sheet

Technical data

Length:	5,40 m
Width:	3,15 m
Height:	1,10 m
Seat height:	0,52 m
Weight:	880 kg
Thickness:	approx. 20-50 mm

Surfaces & colours

Nature Look	concrete grey
Nature Look	dark grey
Nature Look	cream white
Nature Look	anthracite
Smooth Look	acc. to RAL shade

Arrangements from the customer

The element shall be put onto a compression-proof or founded base.