

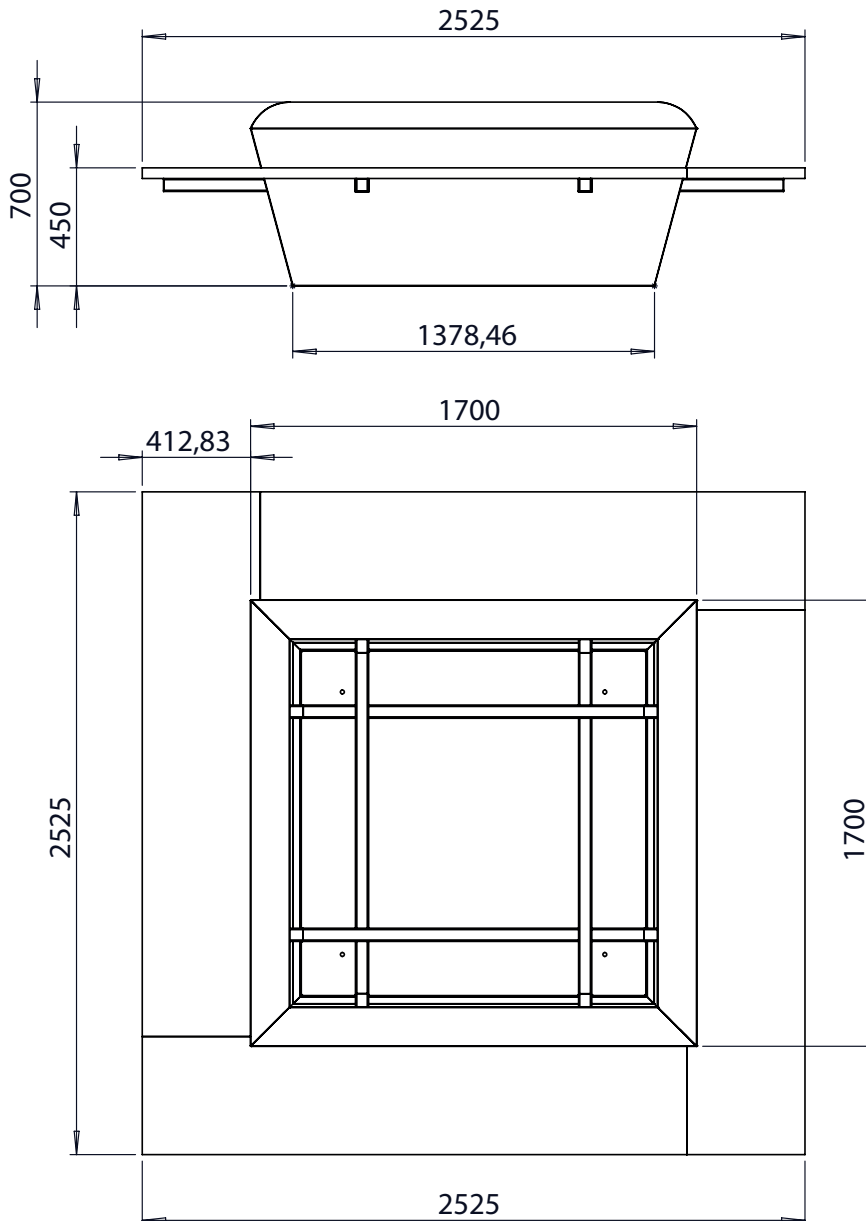


Max Dimensions:

Height seat: 450 mm | Length: 2525 mm | Width: 2525 mm

Planter: 1700x1700xh700 mm

Weight of steel: 117 kg | With wood: 230 kg | Planter capacity: 1600 lt

**DESCRIPTION**

The bench-planter AL AIN is made in steel 15/10 thickness. The structure is pyramid-shaped with a square base, the band of the upper part is calendered with a radius of 160 mm. Inside the planter there's a support structure in tubular steel 50x50x2 mm. The structure in tubular steel goes outside the planter and creates the supports, on which the seat of the bench is fixed. The bench is made by 4 elements in exotic hardwood 450x 2075 mm 40 mm thickness. The wooden parts are fixed to the tubular steel through specific screws. On the bottom of the planter 2 drain pipes, made in tubular steel, section 16X2 mm, H 50 mm, are welded. Besides there are 4 holes 15 mm diam. for the fixing to the ground through specific bolts (not provided).

Steel EN10111DD11 is used for the realization of this product and all the elements in this material, after all the different stages (cutting, bending, welding), are treated with cataphoresis according to the UNI regulations and are later polyester powder-coated with RAL colours at choice.

The wood used is either Iroko or Okume, treated with natural, water-repellent, UV ray resistant oils.