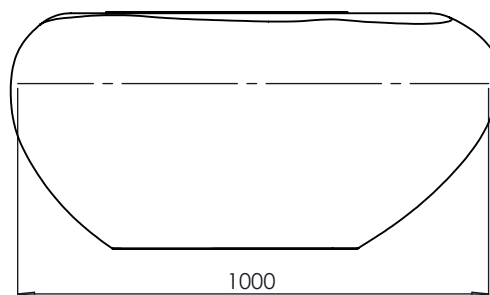
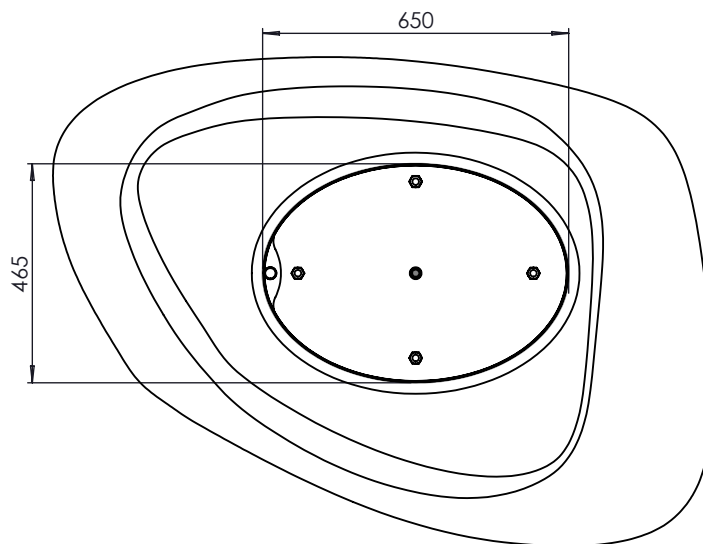
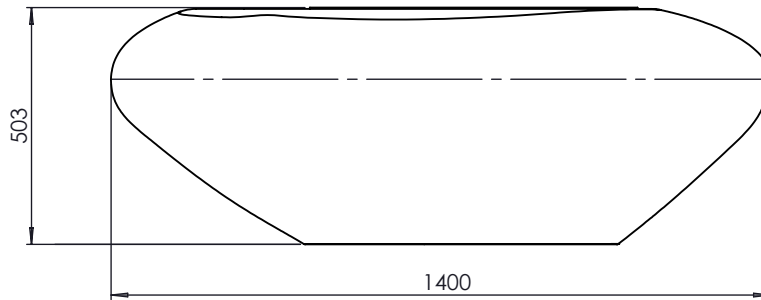




Max Dimensions:

Height: 503 mm | Length: 1400 mm | Width: 1000 mm

Weight of steel: 25 Kg | Weight of hypergranite: 144 Kg | Capacity: 105 Lt

**MATERIAL DESCRIPTION**

The AVEO planter is made in hypergranite, a Fiber-reinforced material made in polyester resin and marble powders, particularly resistant to wear and atmospheric agents. Hypergranite is available in many different colours.

In the middle of the bench, inside the oval-shaped hole, there is a planter made through the calendaring of the steel sheets of 30/10 thickness, shaping the walls, and a bottom of 30/10 thickness provided with a drain pipe. On the bottom 4 screws M16 are welded for the insertion of specific bolts (not provided) to help lift up the tray in steel.

For the realization of this product, Steel EN10111DD11 is used and later treated with a cycle of sandblasting, cataphoresis and powder coating. Such cycle is meant to guarantee the protection of the painted products, in an environment of C4 corrosion class, as requested by the UNI regulations EN ISO 12944-2. The products are eventually polyester-powder coated with RAL colours at choice.