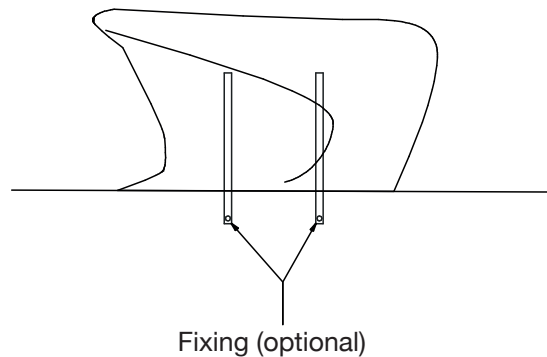
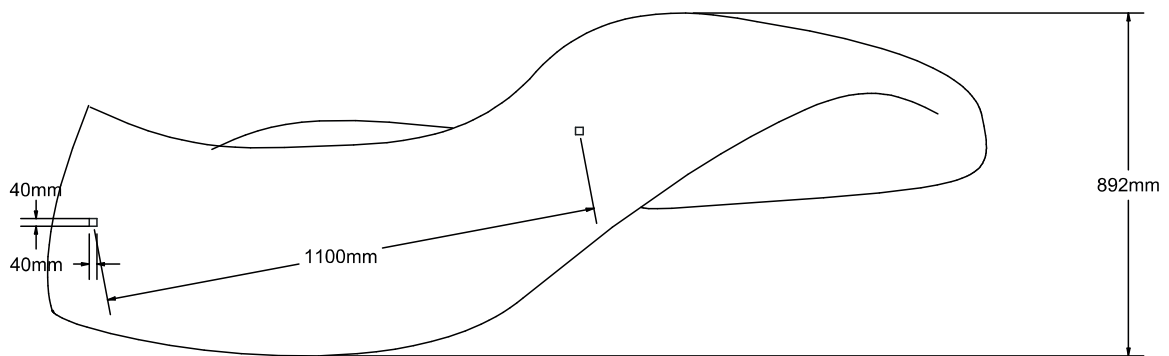
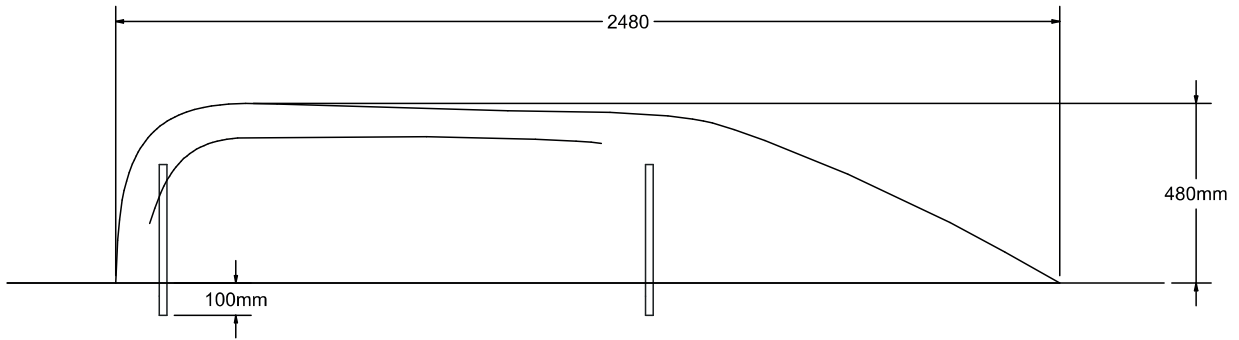




Max Dimensions:

Height: 480 | Depth: 892 mm | Length: 2480 mm

**Hypergranite description :**

Fiber-reinforced composite material made of a polyester resin and marble powder particularly resistant to wear and to atmospheric agents. Scratches and accidental damages can also be easily repaired thanks to the appropriate kits (available on request). Hypergranite is finally available in different colours.