

---

LAB23

**CROSSED HYPER**

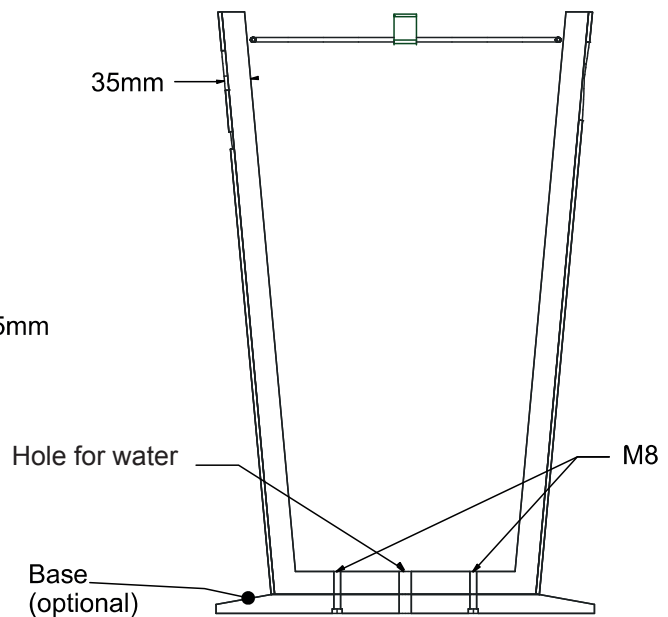
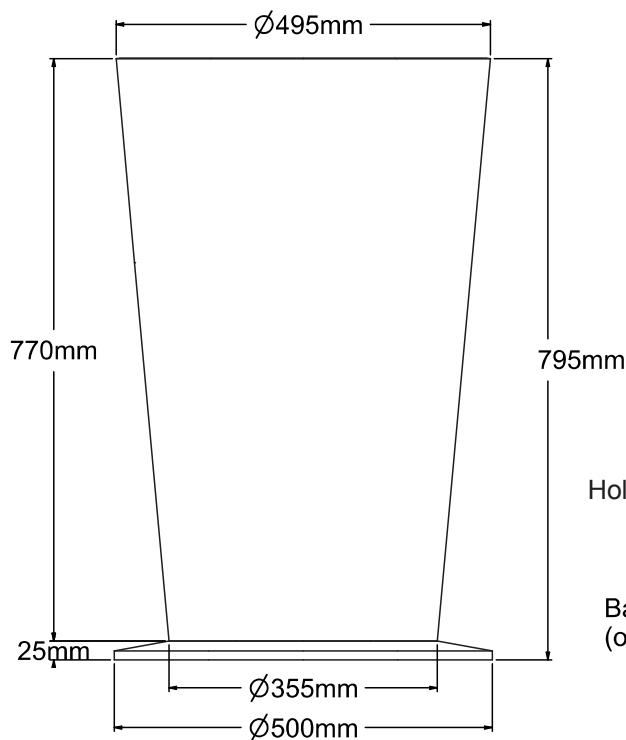
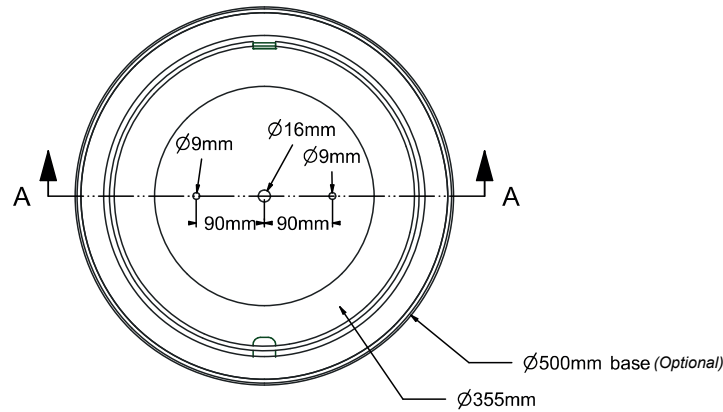
**Litter bin**

---



**Max Dimensions:**

Height: 770 mm+base (OPTIONAL) | Top diameter : 495 mm | Base Diameter: 355 mm  
 Capacity: 60 Lt | Weight: 60 Kg



SECTION A-A

**DESCRIPTION:**

Fiber-reinforced composite material made of a polyester resin and marble powder particularly resistant to wear and to atmospheric agents. Scratches and accidental damages can also be easily repaired thanks to the appropriate kits (available on request). Inside the structure of the bin there are elements in stainless steel, like the support of the ring holding up the bag holder, which is made in stainless steel rod or galvanized steel rod. On the bottom there are 3 holes: the one in the middle is meant to help with the draining of water, the other two are meant for the ground fixing of the bin through specific bolts M8 (not provided). These two holes can also be used for the fixing of a base in hypergranite (optional).

Crossed Bin Hyper is available in many different colors.