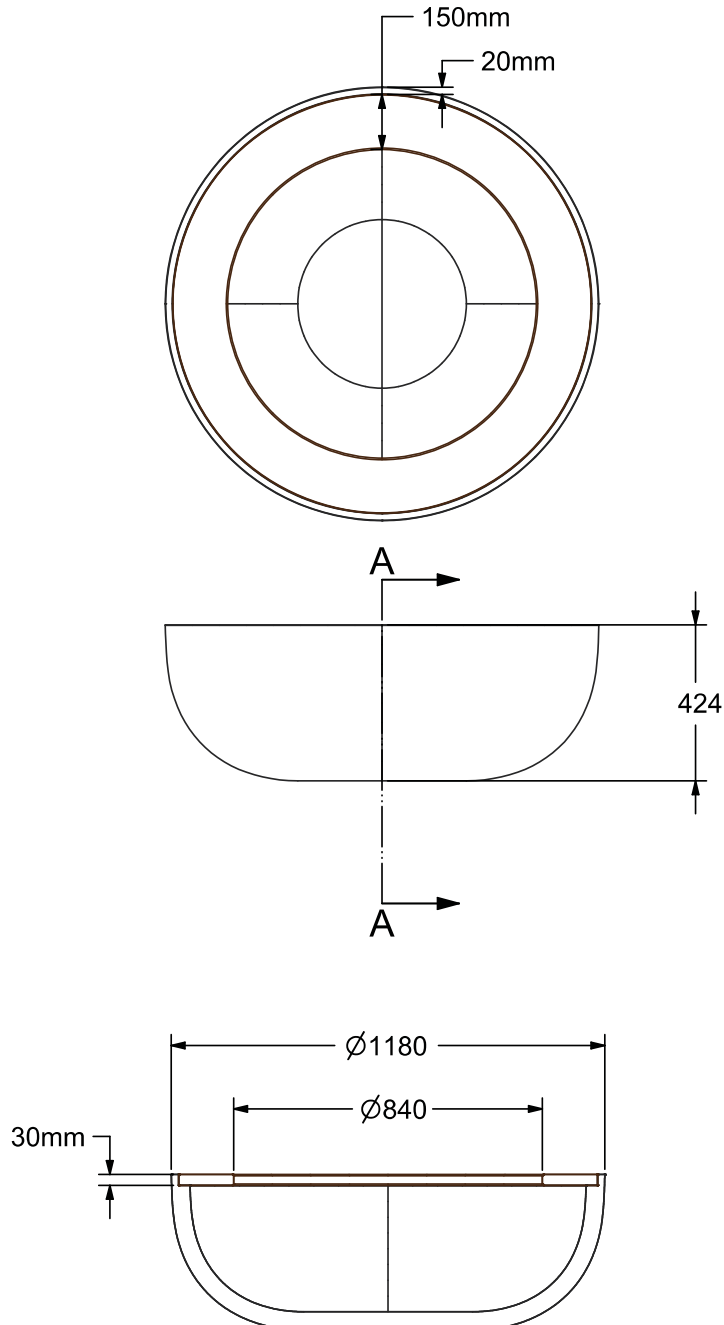




Max Dimensions:

Height: 424 mm | Outer Diameter: 1180 mm | Inner Diameter: 840 mm

Planter tray: 85 kg | Capacity: 230 lt



SECTION A-A

MATERIAL DESCRIPTION

Fiber-reinforced material made in polyester resin and marble powders, particularly resistant to wear and atmospheric agents. Hypergranite is available in many different colours.

On the upper part of the planter there is an edge with 150 mm depth with a different colour or made in exotic wood. The wood used is either Iroko or Okume, treated with natural, water-repellent, UV ray resistant oils.