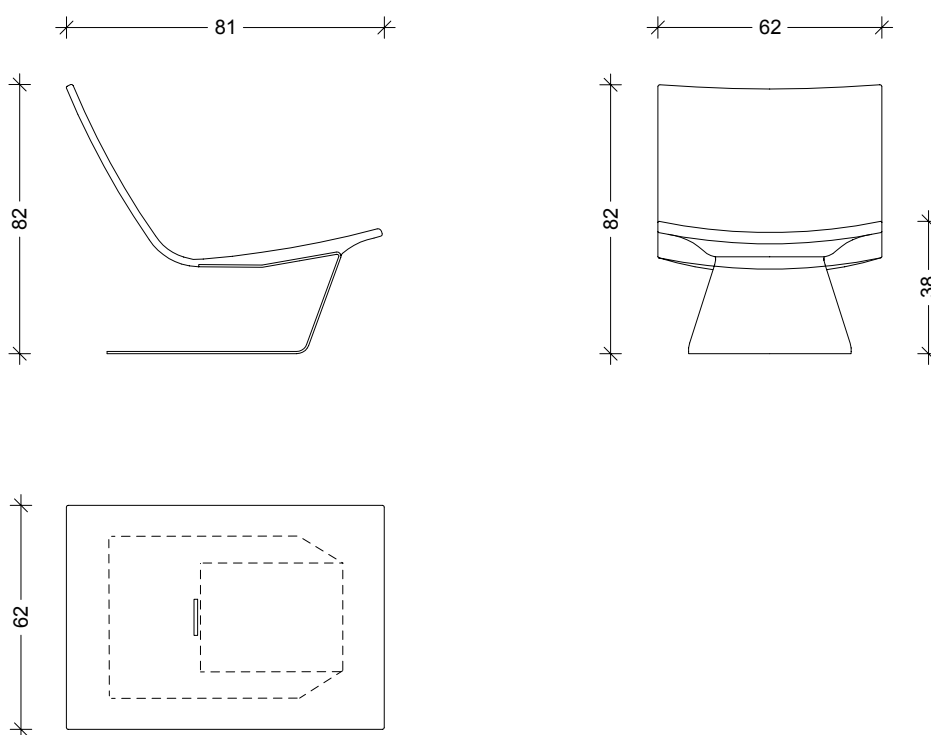


Shorty

Concrete Seat.

Shorty is a filigree armchair made of high-quality fiberglass concrete in formwork-smooth design. In line with Concrete Rudolph's unique signature design style, it can be paired with Tabloo.



| Technical Data | Colour & Surface | |
|---|---|--|
| Fibre-glass concrete: Length: 0,81 m Width: 0,62 m Height: 0,82 m Seat Height: 0,38 m Mass: 80 kg Wall thickness: 20 mm | Natural Look in natural concrete gray. Colourless with a smooth, fine surface. Coloured Look with mix-dyed concrete in either dark grey, cream or anthracite. Smooth Colour Cover colour coated to RAL tone with a smooth, fine surface. Velvet Cover a velvet pearly surface, coated on top of RAL coating. | |

Design: René Holten