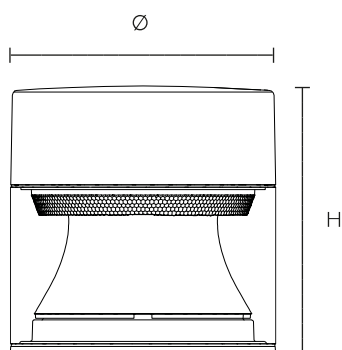


Elo Wall head

SX 982 17-9



luminaire head

LED, 2400 lm, 4000 K, CRI > 80, electronic converter, Total power: 26 W

luminaire head, luminaire housing made of die-cast aluminium, powder-coated, cylinder made of PC, clear
Optical system: Tritec Ambiance Optic Single, combined prism- and reflector-optics, for high glare control, Tritec colour: silver

CE, IK10, IP65, Protection Class II

Height H: 165 mm
Diameter Ø: 160 mm
Weight: 2,65 kg

Make: Selux, Type: SX 982 17-9



Modifications are possible due to the constant development and improvement of LED technology.

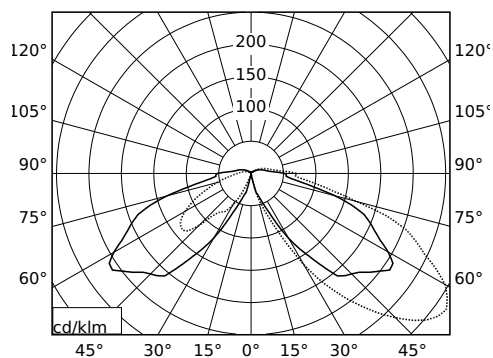
© Selux AG, Subject to technical modification 3.2021

Selux AG, Motzener Straße 34, D-12277 Berlin, T +49 30 72001-0, F -100, info@selux.com, www.selux.com

Elo Wall head

SX 982 17-9

Technics



Photometric data: 8605

Upward light ratio (ULR): 8.5 %

Lamp

LED · 2400lm · Light colour: 4000 K · CRI > 80

Optic

Tritec Ambiance Optic, combined prism- and reflector-optics ·

Electrics

electronic converter · Total power: 26W

control options:

dynamic · DALI · CLT · HNS · AmpDim ·

individual power reduction in 300 lumen

steps ex work

Luminous flux characteristics / Operating time of LED

	20000	40000	60000	80000
Operating time LED				
Lumen maintenance	95%	92%	89%	86%
LLMF*	0.95	0.92	0.89	0.86

* = Lamp lumen maintenance factor

Modifications are possible due to the constant development and improvement of LED technology.

© Selux AG, Subject to technical modification 3.2021

Selux AG, Motzener Straße 34, D-12277 Berlin, T +49 30 72001-0, F -100, info@selux.com, www.selux.com