

AC-300 PORTABLE HYGIENIC AIR FILTRATION UNIT

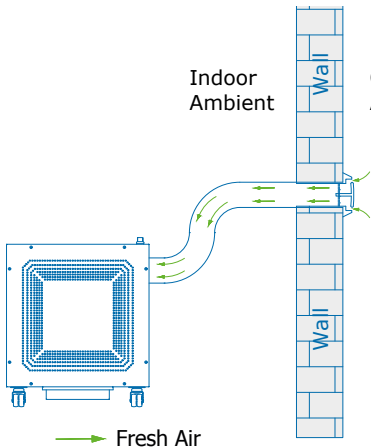
Efficient particle removal by increased HEPA filter surface area



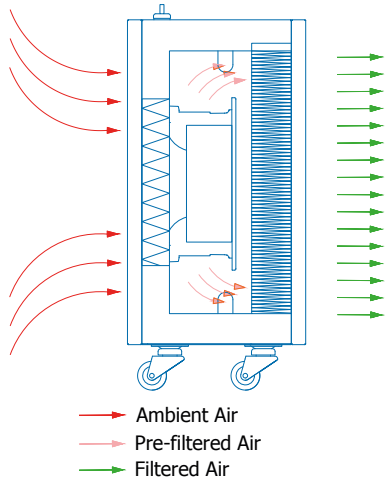
Air flow rate regulation with normal and eco operation modes

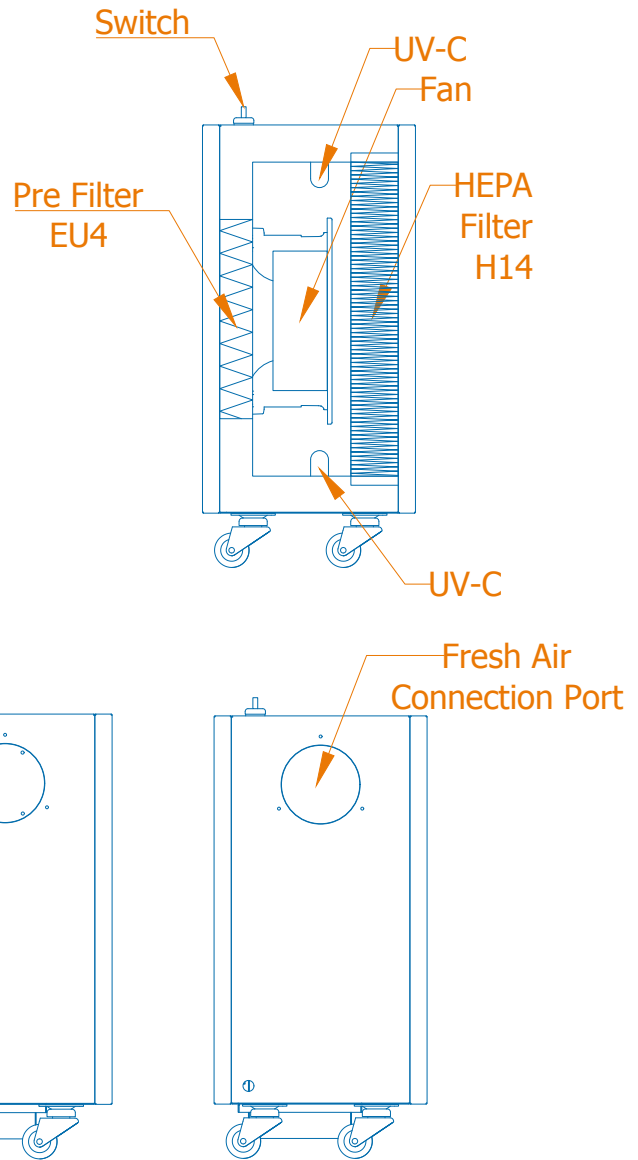
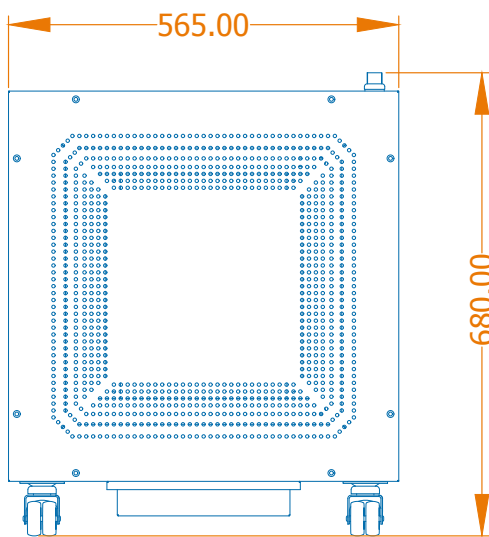
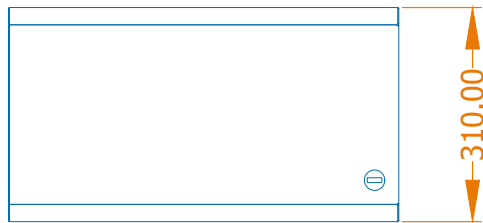


- ▶ Economic and compact Mobile HEPA filtration Device
- ▶ Hygienic air born particle cleaning for applications in small rooms
- ▶ Practical use at home, office or hospital
- ▶ Robust and Compact Design
- ▶ Simple filter replacement and easy maintenance
- ▶ Low energy use



Outdoor environment connection kit for positive or negative room air pressuring





METISAFE AC-300 PORTABLE HYGIENIC AIR FILTRATION UNIT TECHNICAL SPECIFICATIONS

MODEL	AC-300	
Dimensions (WxDxH) mm	565 x 310 x 680 (mm)	
Pack Dimensions (WxLxH) mm	685 x 430 x 950 (mm)	
Filter Types (EN 1822)	Main Filter	Hepa, H14 %99.995, 0,3 µm
	PreFilter	EU4
Supply Air Velocity Range	0.3-1.5 m/sn	
Air Flow Rate	150-300 m3/h	
UV Lamp	254 nm, 2x18 Watt	
Noise Level (100 cm distance)	Normal Mode	≤ 56 dB(A)
	Eco Mode	≤ 45 dB(A)
Supply Voltage and Frequency	220-240 V, 50-60 Hz	
Blower Power (kW)	≤ 0,20 kW	
Weight (kg)	< 34 kg	
Main Body	Antibacterial Powder Coated Sheet Steel	
Controller	On/Off and Airflow Rate Mode Selection	