

Uniclass	EPIC		
L412:N14:N544	D122:Y442		
C1/SfB	(37.59)	X	(U47)



Safety Products

Fall protection helps ensure worker safety!

Easy to install safety aids

Bil-Guard Hatch Rail System



Easily installed on new or existing roof hatches & smoke vents

Bil-Guard™ is a fixed railing system that provides a permanent means of fall protection for hatch openings. It can also help provide continuous protection especially where mansafe systems have been installed on the roof area. Bil-Guard™ features an innovative attachment system that does not penetrate the roofing membrane and on standard hatches pre-drilled holes in the capflashing accept the mounting brackets. Bil-Guard™ can be installed quickly and easily using basic tools.



FEATURES & BENEFITS

- 1 Corrosion resistant - 25-year warranty
- 2 High visibility safety yellow colour
- 3 Non-penetrating attachment
- 4 Pivoting mounting sleeve for installation flexibility
- 5 Standard self-closing gate feature
- 6 Available in a variety of sizes
- 7 Fits all Bilco roof hatches
- 8 Easily installed on new or existing hatches and smoke vents

SIZES & WEIGHTS

Bil-Guard type	size	weight	hatch type
RL-S	915mm x 760mm (H)	24 kg.	S
RL-E	915mm x 915mm	24 kg.	E
RL-F	1220mm x 1220mm	28 kg.	F
RL-NB	760mm (H) x 1370mm	28 kg.	NB
RL-L	760mm (H) x 2440mm	35 kg.	L

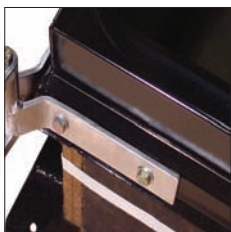
Specials can also be manufactured



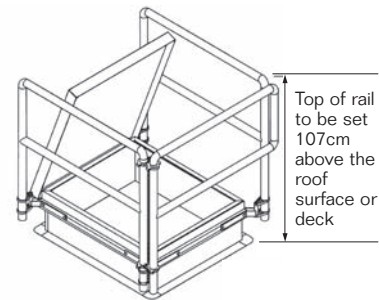
- 5 Self-closing gate hinge ensures continuous protection



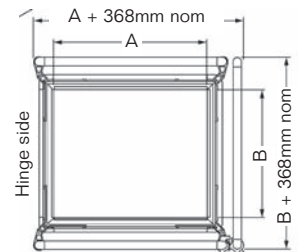
- 4 Pivoting mounting sleeve for installation flexibility



- 3 Quick-mount bracket for fast, secure attachment



Isometric View
Type RL-S shown on Type S roof hatch



Plan View
Shown without hatch cover
A = hatch opening width
B = hatch opening length

Specifications

Posts and rails are pultruded from a fire retardant, fiberglass-reinforced polymer (FRP). FRP material has a moulded-in, high visibility, safety yellow colour and is treated with a UV inhibitor. Mounting brackets are fabricated from 6mm thick hot dip galvanized steel. Gate hinges and post guides are constructed of 6063-T5 aluminium and torsion rod is Type 302 stainless steel. All fasteners are Type 316 stainless steel. Manufacturer shall provide a 25-year warranty against defects in material and workmanship.

LadderUp Safety Post



Ideal for safer access

LadderUp® Safety Posts provide easier, safer ladder access through roof hatches, floor doors, and manholes. This telescopic post permanently mounts to the top two rungs of any fixed ladder, providing a positive hand-hold and enabling the user to enter or exit an opening in an upright and balanced position. Available in four different finishes.



FEATURES & BENEFITS

- 1 Telescopic design is spring balanced for ease of operation
- 2 Adjustable mounting hardware accommodates virtually any ladder rung size or spacing
- 3 Automatically locks in the fully raised position to provide the user with a firm and steady hand-hold
- 4 Handy release lever allows the post to be easily lowered to its retracted position
- 5 Available in four levels of corrosion resistance to provide many years of trouble free, dependable service.

SIZES & WEIGHTS

type	size	weight
LU-1	Steel/black enamel	11 kg.
LU-2	Steel hot dip galv	11 kg.
LU-3	Stainless type 304	11 kg.
LU-4	Aluminium mill finish	7 kg.



1 Telescopic design



2 Adjustable mounting

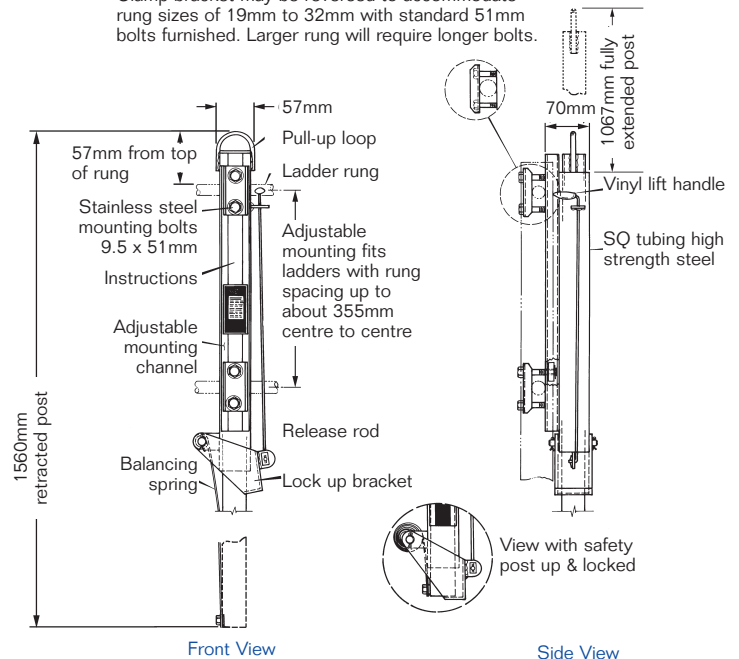


3 Automatically locks off



4 Handy release lever

Clamp bracket may be reversed to accommodate rung sizes of 19mm to 32mm with standard 51mm bolts furnished. Larger rung will require longer bolts.



Specifications

Install on fixed ladder(s) below hatch cover(s), LadderUp® safety post Model as manufactured by The Bilco Company. Device shall be (refer to chart for material/finish* of model specified). It shall be designed with a telescoping tubular section that locks automatically when fully extended. Upward and downward movement shall be controlled by a stainless steel spring balancing mechanism. Unit shall be completely assembled with fasteners for securing to the ladder rungs in accordance with the manufacturer's instructions. * If installation is to be in corrosive atmosphere, specify Model LU-2, LU-3 or LU-4 as conditions warrant.

Fall Protection Grating



For a safer working environment

The fall protection grating system is available for J-AL & JD-AL Bilco floor doors. Retrofit kits are also available for field installation. The fibreglass panel includes lift assistance and an automatic hold open arm for ease of use.



FEATURES & BENEFITS

- 1 Provides a permanent means of fall protection under access doors
- 2 Fibreglass panel includes lift assistance and an automatic hold open arm for ease of operation and user safety
- 3 The grating panel consists of 25.4mm moulded fibreglass squares
- 4 Equipped with stainless steel hardware for maintenance-free performance
- 5 Grating panel rated for a 1464 kg/m² live load
- 6 Grate operates independently of the cover reinforcing
- 7 25-Year warranty

Specifications

Grating panel(s) shall be fibreglass moulded in one piece with load bearing bars in both directions to allow for use without continuous side support. Panel shall be designed to support a 1464 kg/m² live load and be high visibility safety orange in color. Torsion rod lift assistance shall be provided for ease of operation and a hold open arm shall also be included to automatically lock the panel in the fully open 90 degree position. A release handle shall be provided to allow the grating panel to be closed and there shall be a provision for locking the panel to prevent unauthorized access. Hold open arm shall be aluminium with a stainless steel release handle. All other hardware, including mounting brackets, hinges, torsion rod, padlock loop, and fasteners, shall be Type 316 stainless steel. Manufacturer shall provide a twenty-five year warranty against defects in material and workmanship.



Bilco UK Ltd.

Park Farm Business Centre, Fornham St. Genevieve,
Bury St. Edmunds, Suffolk. IP28 6TS

Tel: 01284 701696 Fax: 01284 702531 Email: bilcouk@bilco.com

www.bilcouk.com

