

ferco
seating made better



education
seating
solutions



welcome

We are in one of the most exciting periods of change in education and fundamental to successful outcomes is the ability to maximise learning opportunities within specifically designed learning spaces.

Delivering intelligent, considered and quality design solutions, with highly personal service, resulting in decreased attrition rates and increased student engagement.

You've been trusting us for over 35 years with your visions and dreams; and we're passionate about helping you to educate the next generation.



Design Matters. Our designers are great at coming up with creative solutions to the most challenging briefs in addition to customising our existing products. We ensure that our designs are easy to understand yet detailed enough for manufacture commencement.

Manufacturing. Group products are manufactured in house at our state of the art facility incorporating the latest technology in terms of materials and construction methods. We apply best practice principles which reduce waste and increases efficiency.

Quality Control. We exercise total control over production, imposing a rigorous quality regime throughout the production process. All products carry a worldwide five-year manufacturer's warranty and we are ISO 9001 and ISO14001 accredited.

Site Surveys & Project Management. An integral part of our service is ensuring smooth running of projects. Your project will be overseen by a dedicated project manager and all of our projects team are highly skilled with experience in making, installing and servicing our products.

Client Service. Our mission is to be our clients' partner of choice. From first contact to completion of installation we are committed to understanding your needs and providing a professional and friendly service that exceeds your expectations in every way.

mission

to consistently exceed
customer expectations
to live by design
to inspire a happy team

innovative learning spaces

Ferco create spaces that are not just lecture halls - they are places of learning, sharing and experience.

Places where people connect and life happens.

Our expertise in the education sector means that we understand your challenges and work hard to design individual solutions.

Our Lecture Theatre seating has been specifically designed to maximise learning opportunities and withstand the demands of modern educational environments.

Ferco helps maximise learning opportunities through design led and adaptable learning spaces which integrate new communication technologies and enrich the learning experience.

“ design
matters ”

Comfortable, stylish and durable, the seating range incorporates the innovative Wrimatic™ A3 writing tablet, fixed writing ledges and Turn & Learn™ collaborative learning pedagogies.

You are in good hands and our free design service ensures that your lecture theatre reflects the way you intend to use the space.



seating made better

education seating solutions

08 Collaborative Learning

10 Premium Lecture Spaces

12 Traditional Lecture Spaces

14 Tiering

16 Options



collaborative learning

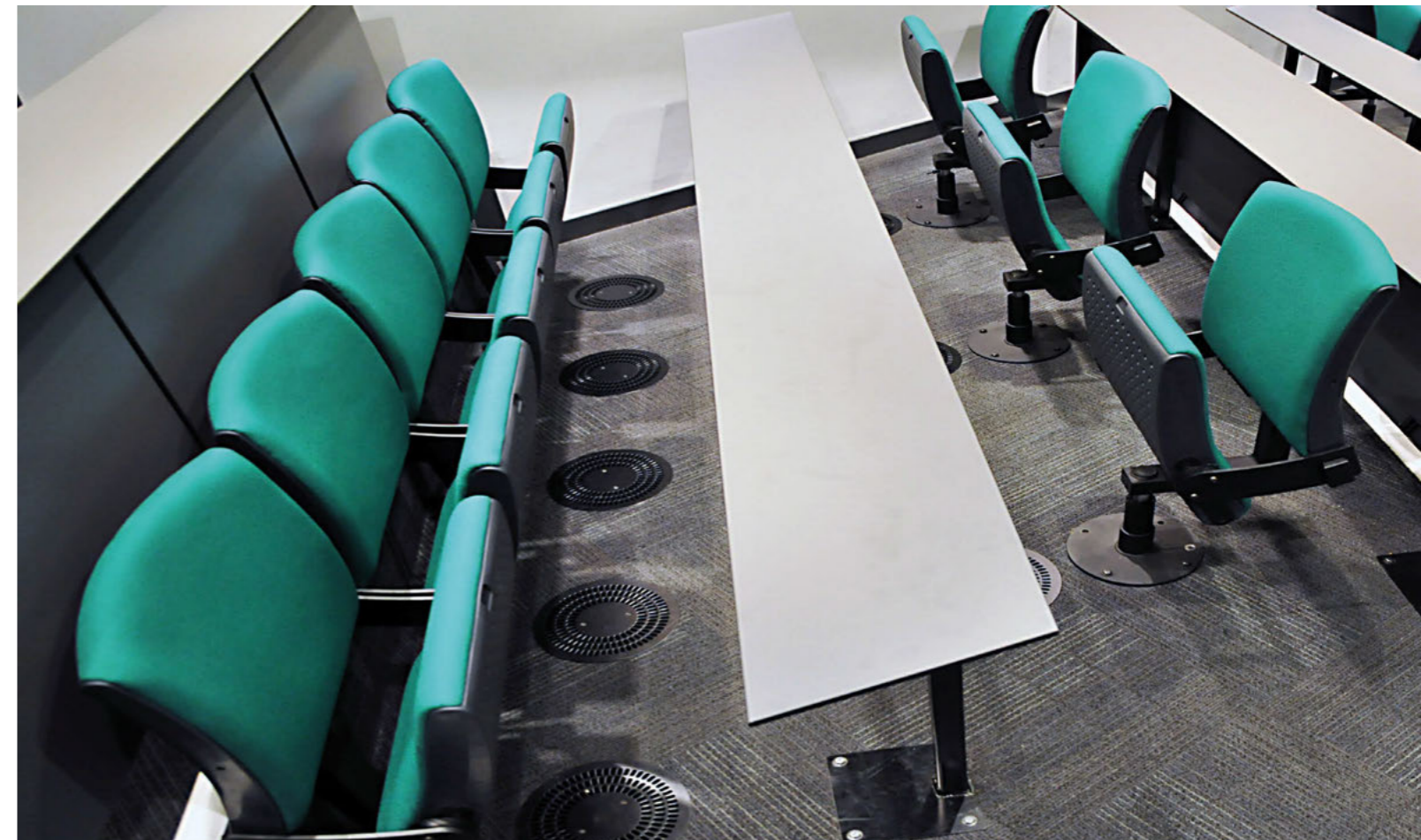
Getting – and keeping – students engaged is the first step in creating successful educational outcomes.

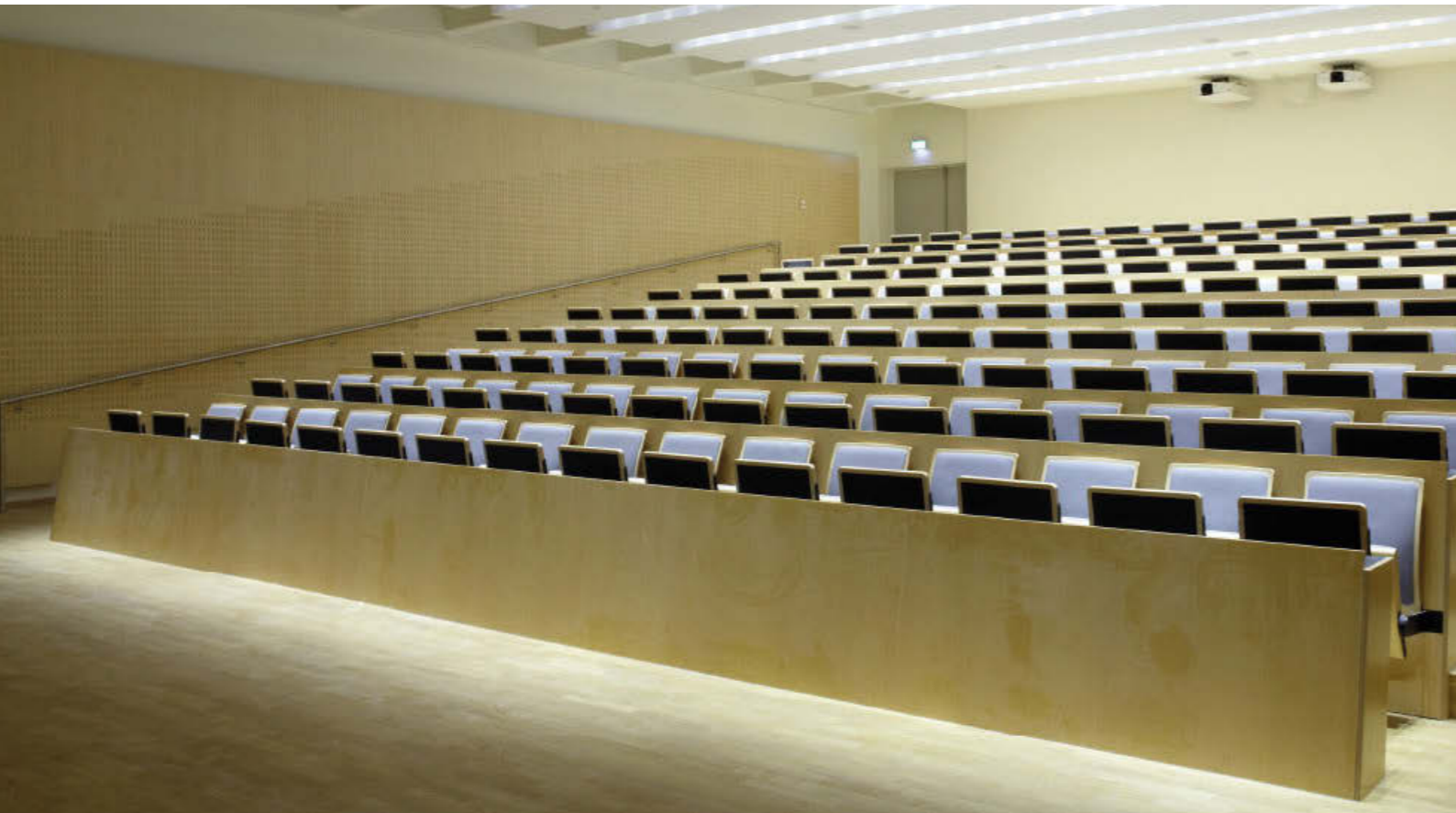
Working together in groups supports collaborative learning ideals whilst enhancing student achievement, satisfaction and wellbeing.

Turn and Learn™ seating has been shown to encourage interactive and exploratory learning as it closely resembles real life social and employment situations.

It works by enabling alternative rows of seating to rotate 360 degrees to enable students to engage in teamwork and interactive learning with their peers without leaving their seat.

The swivel mechanism contains an integrated gas lift for smooth and silent rotation and the seat automatically returns to the forward position once a student vacates.





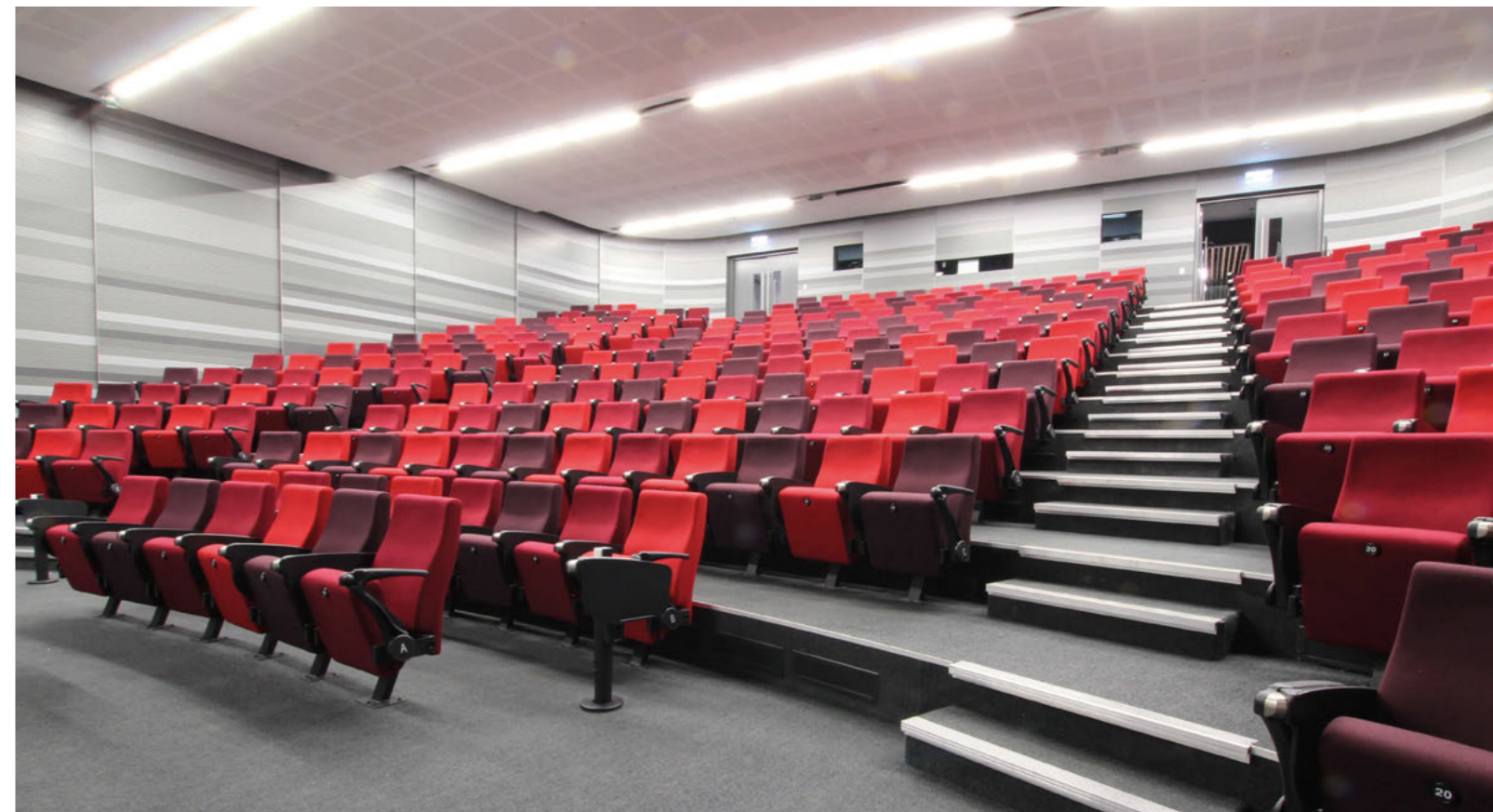
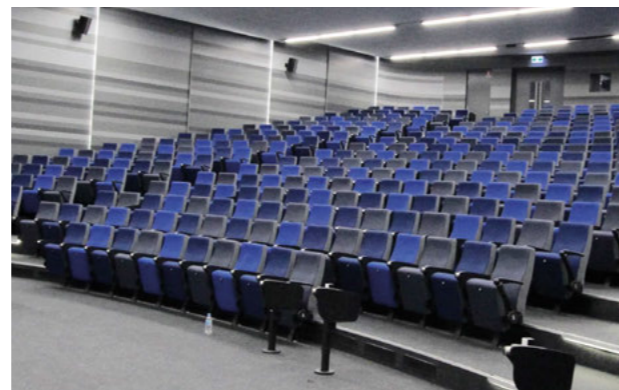
premium lecture spaces

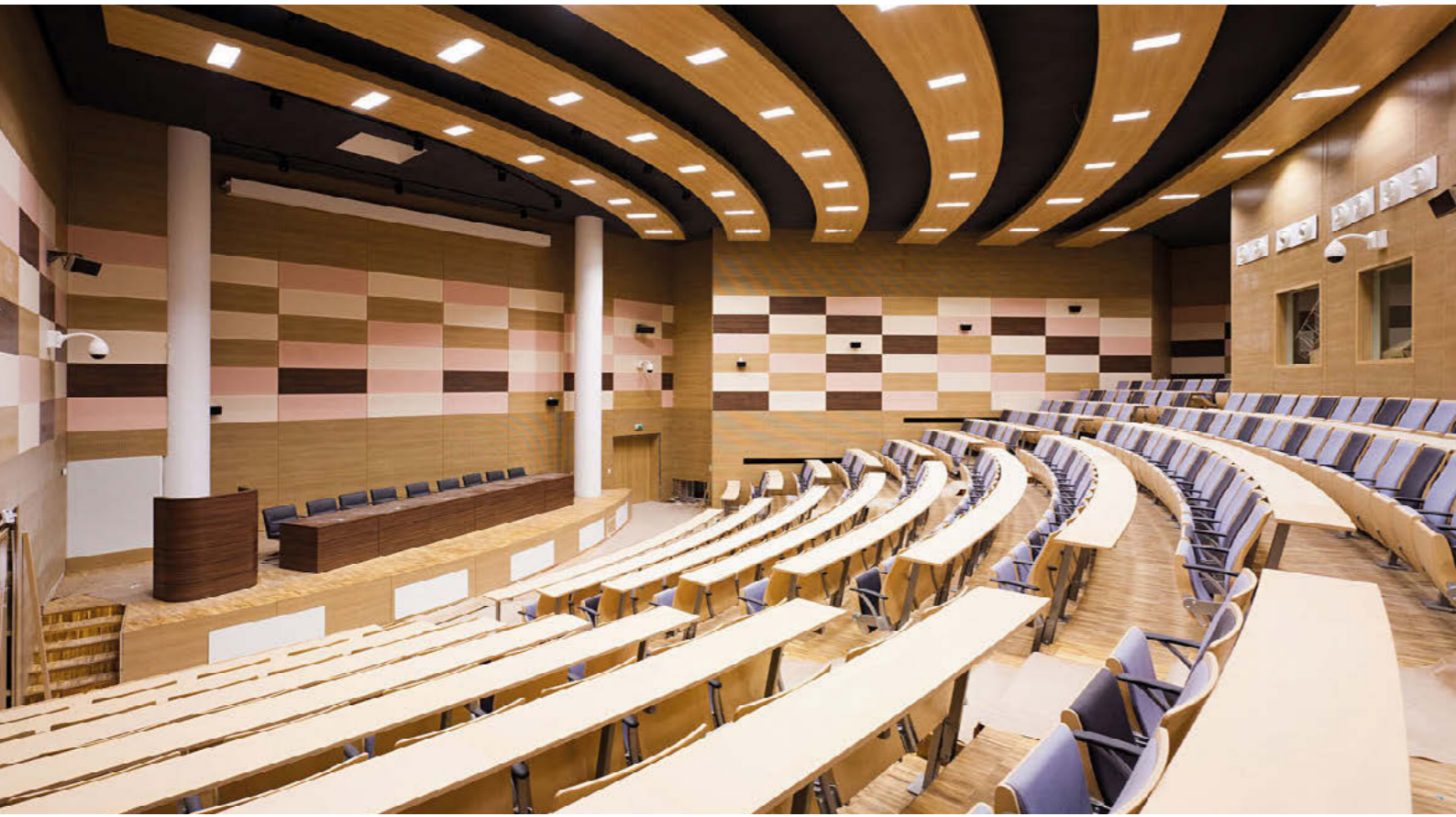
With many Universities utilising their facilities for additional revenue generation, the modern premium lecture theatre needs to work hard for your students, adult learning groups and also the corporate sector.

We design premium lecture spaces to deliver flexibility whilst maintaining the ultimate in style, comfort and durability.

Ferco constantly innovate to keep pace with change; always considering how different groups of people interact, behave and communicate with each other in a lecture learning environment.

Our premium seating solutions not only provide a department showcase theatre for existing and potential students but enable sustainable additional university revenue streams.





traditional lecture spaces

The **traditional lecture theatre** is characterised by an auditorium style layout with fixed tiered rows of forward facing seating.

The layout of these spaces are designed to maximise good sightlines in relation to the lecturer and the teaching aids.

Our **traditional lecture theatre seating** range is designed to be flexible, durable and cost effective whilst maximising audience capacity.

These seats are suitable for all layout configurations, including radial.





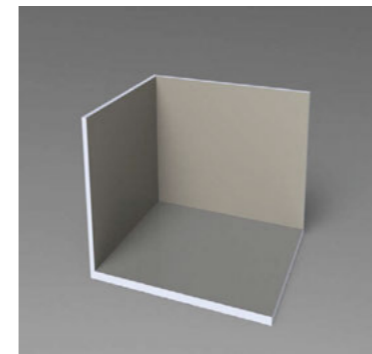
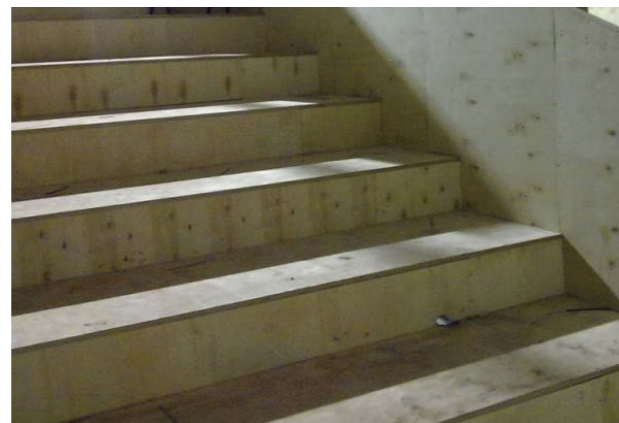
structural tiering

Structural tiering, also referred to as stepping and raking, is the platform on which fixed seating is secured.

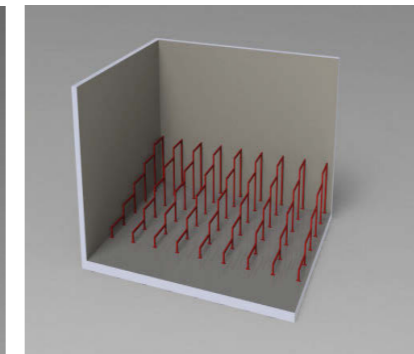
We are able to design and construct bespoke lightweight and flexible tiering which complies with all British Standards and is structurally certified.

A timber deck on steelwork frame is environmentally clean, quick to construct and has the advantage of being manufactured to the specification of your lecture theatre design team.

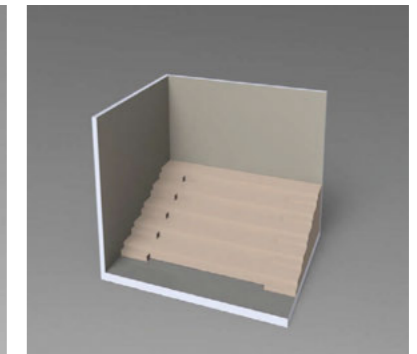
Our fixed tiering allows you to create the perfect sightlines in any space.



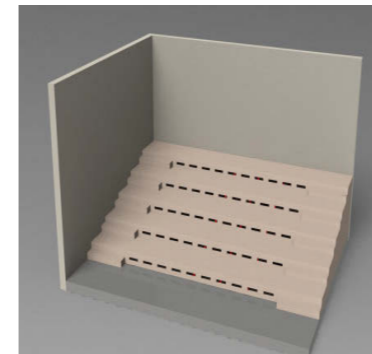
Your space



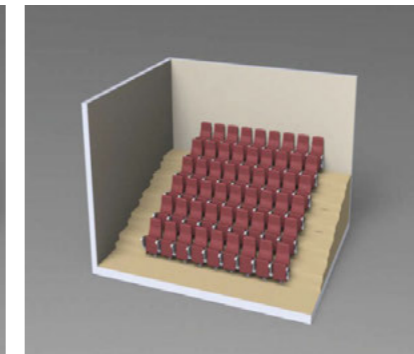
Erection of Steel Sections



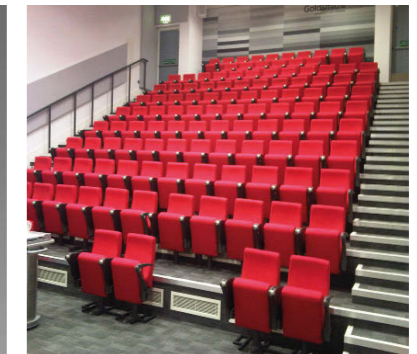
Timber decking and steps



Ventilation, power and data



Finished layout



Completed Installation



options

To enhance the student experience, we compliment our products and services with ancillary options to create the ideal learning environment.

In addition to an expansive choice of colour and fabric, we are able to offer protective coatings and environmentally friendly materials. We can also provide seating in free issue or client specified fabric.

With ergonomics at the forefront of our design philosophy, our patented Probax foam inserts can be incorporated to improve the comfort of both the seat base and back, resulting in improved posture and attention span.



education seating products

20

Collaborative Learning

23

Premium Lecture Spaces

26

Traditional Lecture Spaces

29

Tiering

30

Options

FT10 Wrimatic Swivel

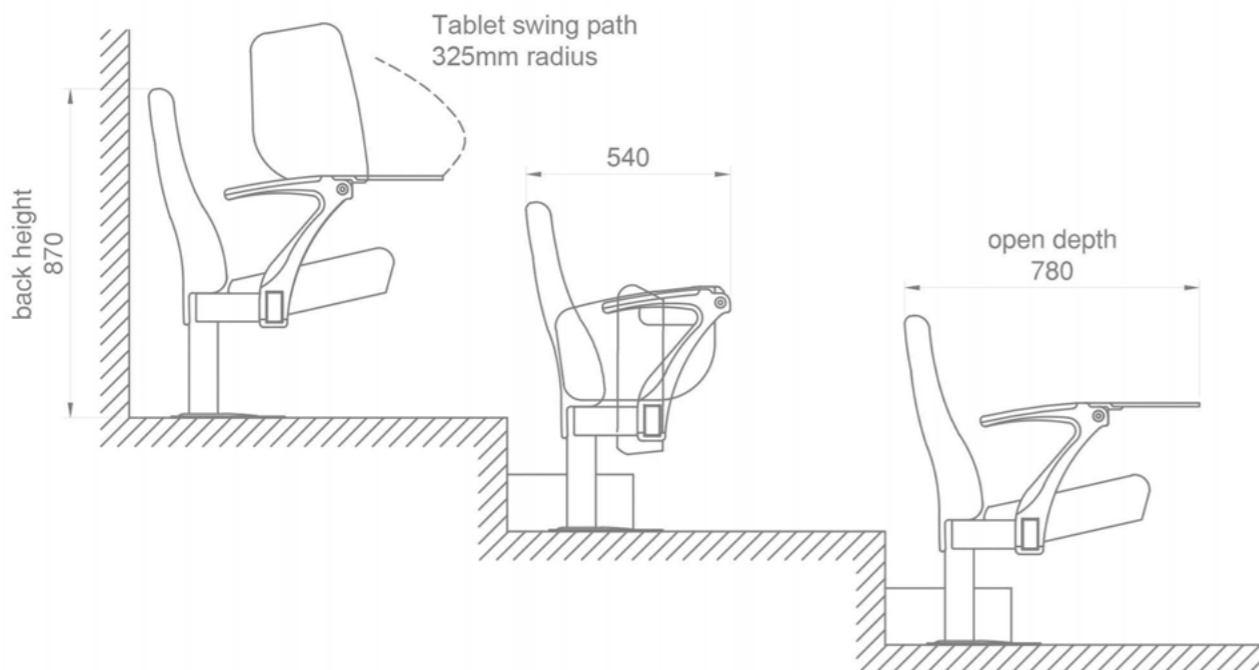
The FT10 Wrimatic Swivel was specifically designed to support turn and learn collaborative teaching styles.

The seat swivels through 360 degrees to enable peer to peer learning in all directions. It can also be fitted with integrated data and electrical points.

Known as the business class of theatre seating, the FT10 is the ultimate in comfort and function.

Fitted with the world's leading integrated writing tablet, the patented A3 Wrimatic™ is suitable for both left and right handed students.

Available as a high backed seat the FT10 has been designed for superior ergonomics and posture support and is virtually maintenance free.

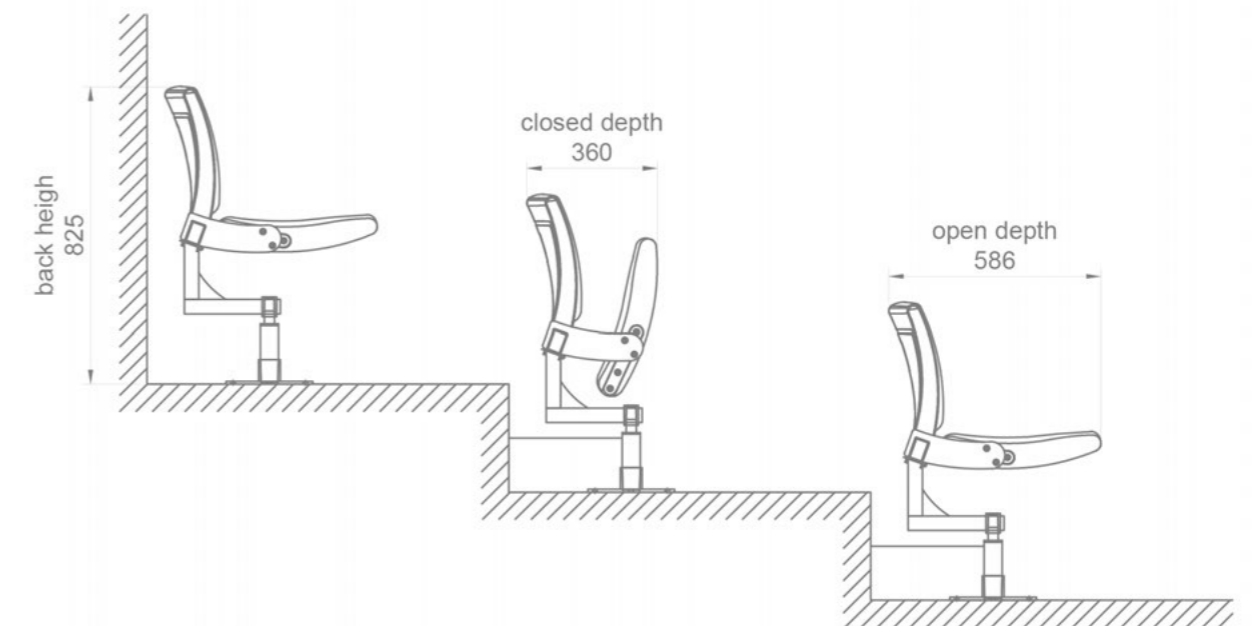
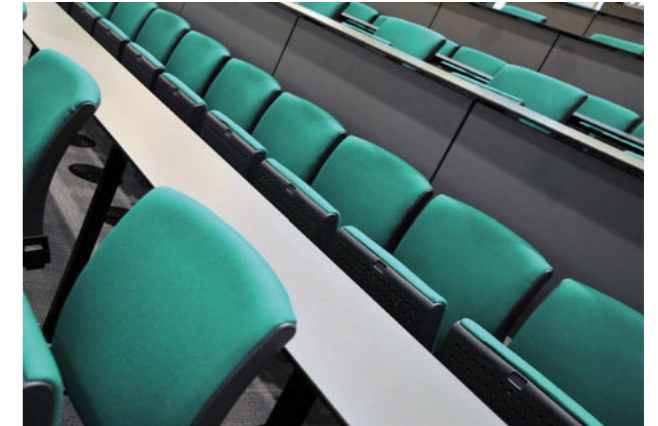


ARC Swivel

The popular ARC Swivel has been adapted to deliver Turn and Learn functions with either an integrated A3 Wrimatic™ tablet or a fixed writing ledge.

The seat will rotate through 360 degrees to enable collaborative learning and sharing; and is the seat of choice for many UK universities due to its, comfort, durability and versatility.

Specifically designed for comfort, function and versatility the ARC is ergonomically shaped, with a contoured back, this range focuses particular attention on lumbar support and correct posture.

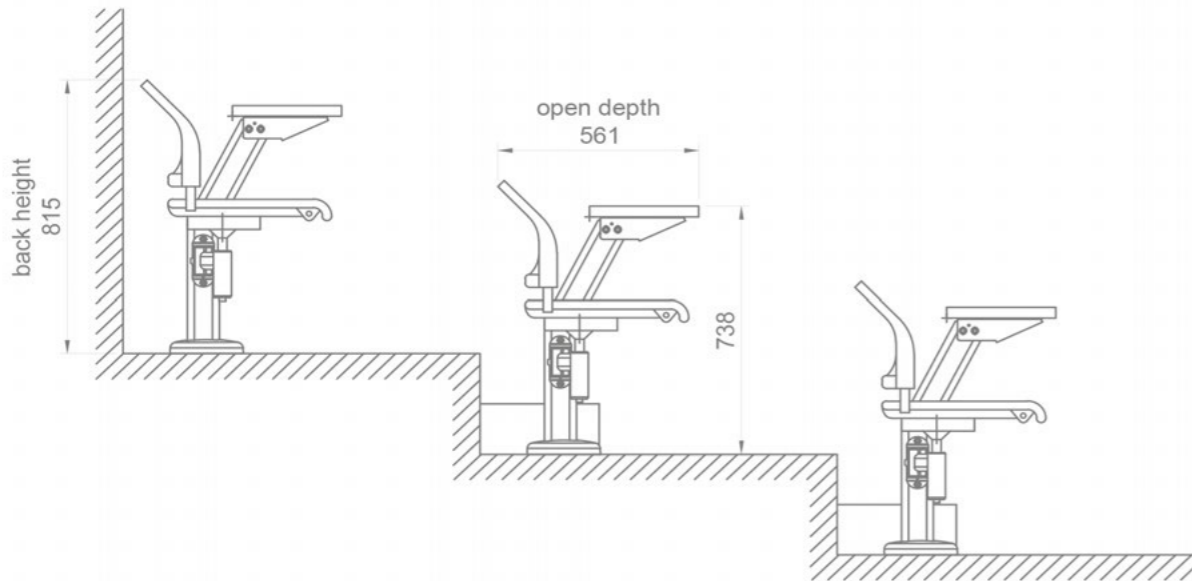


Harvard Business School

The Harvard Business School seating system was developed to support collaborative learning styles with its innovative 'swing away' pivot arm and auto return.

In turn and learn mode, two rows of seats and desks are fitted to each tier in the lecture theatre. By fixing the seats on swing away arms, the product remains fully code compliant with seatway and fixing requirements.

Available with a choice of executive style seating and many material options for writing desks. The Harvard Business School system is flexible and can be tailored to meet a variety of room configurations.



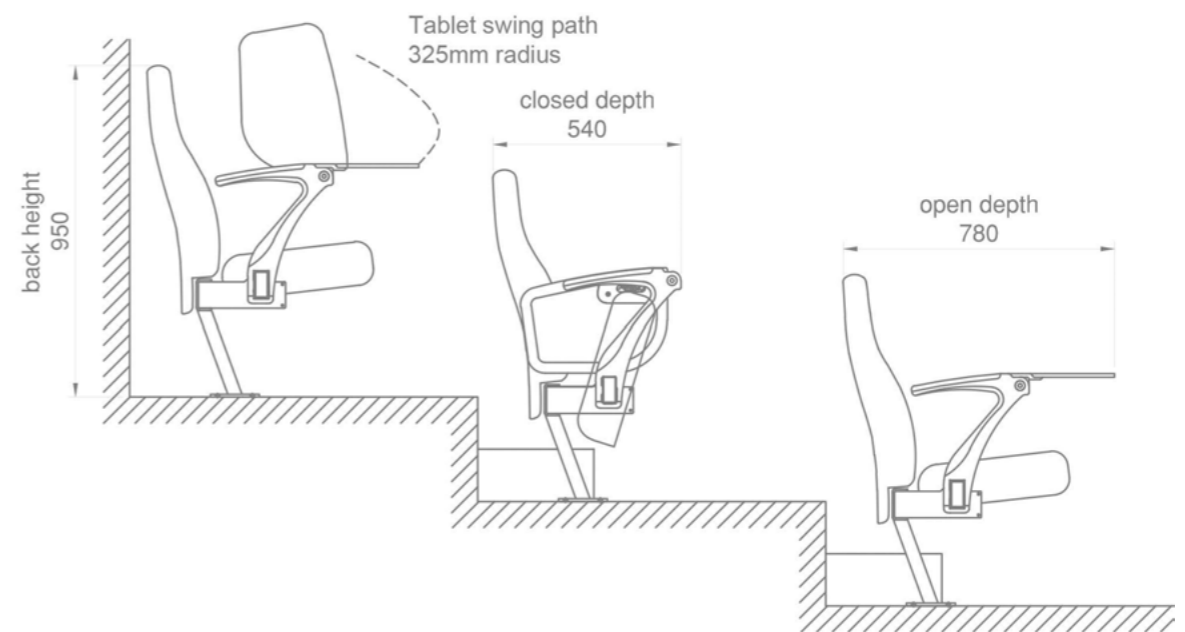
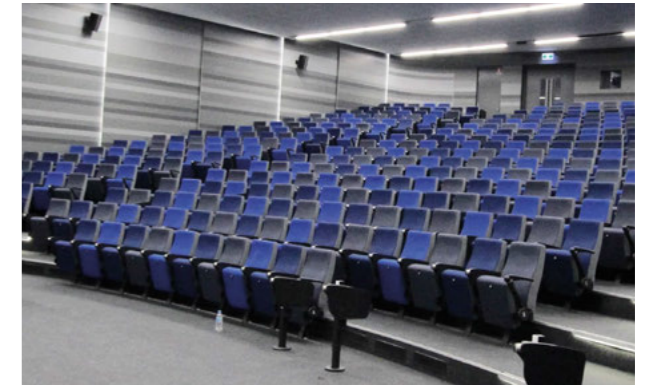
FT10 Wrimatic

The FT10 Wrimatic is a luxuriously comfortable, executive style lecture seat with integrated A3 Wrimatic™ tablet.

The FT10 is not only exceptionally comfortable but functional and durable. It is the seat of choice for Universities worldwide.

Suitable for radial and straight configurations the FT10 can be tailored to room and space specifications. Available with the option of integrated power and data points.

The A3 Wrimatic tablet is suitable for both left and right handed users and operates in one continuous movement thanks to its unique triangular joint; a feature using advanced aeronautical engineering design and technology.



ARC Wrimatic

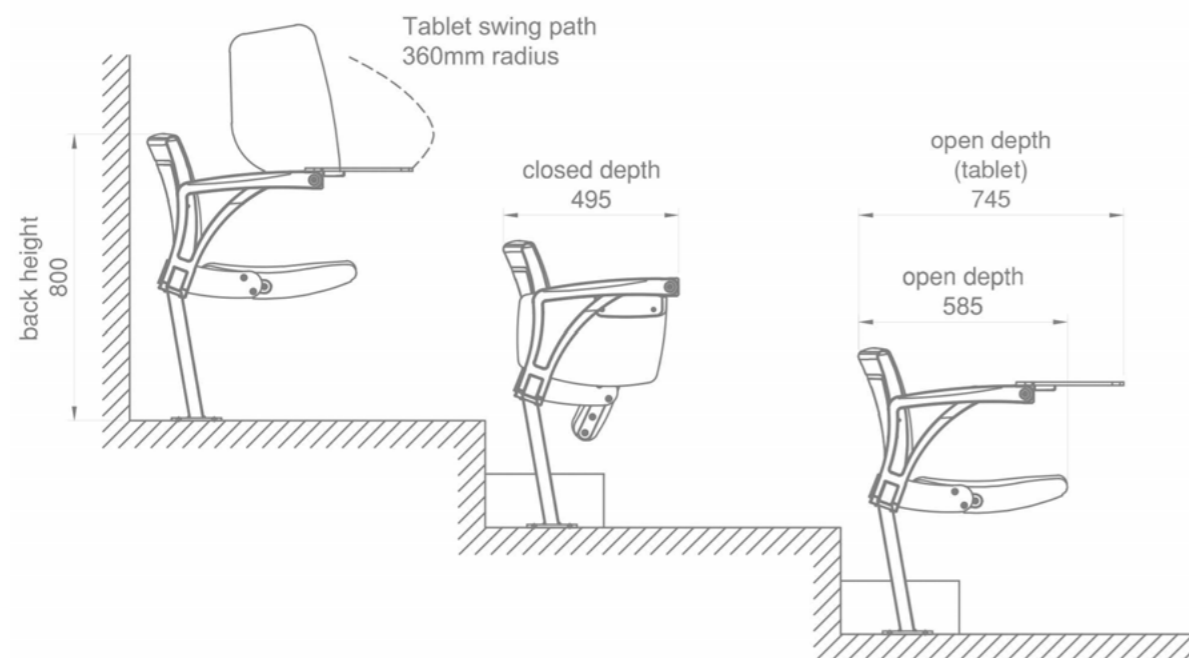
The **ARC Wrimatic** is specifically designed for comfort, function and versatility.

The ergonomic shape and contoured back focus particular attention on lumbar support and correct posture.

The **ARC is also available** with a higher back option making it a popular choice with institutions for their showcase theatres.

Coupled with the Wrimatic writing tablet, the world's leading integrated writing tablet, the ARC delivers functionality, value, comfort and style.

The A3 Wrimatic™ tablet is suitable for left and right handed students. Virtually unbreakable, the Wrimatic has been load tested to 240kg - **making it the world's most robust A3 tablet.**



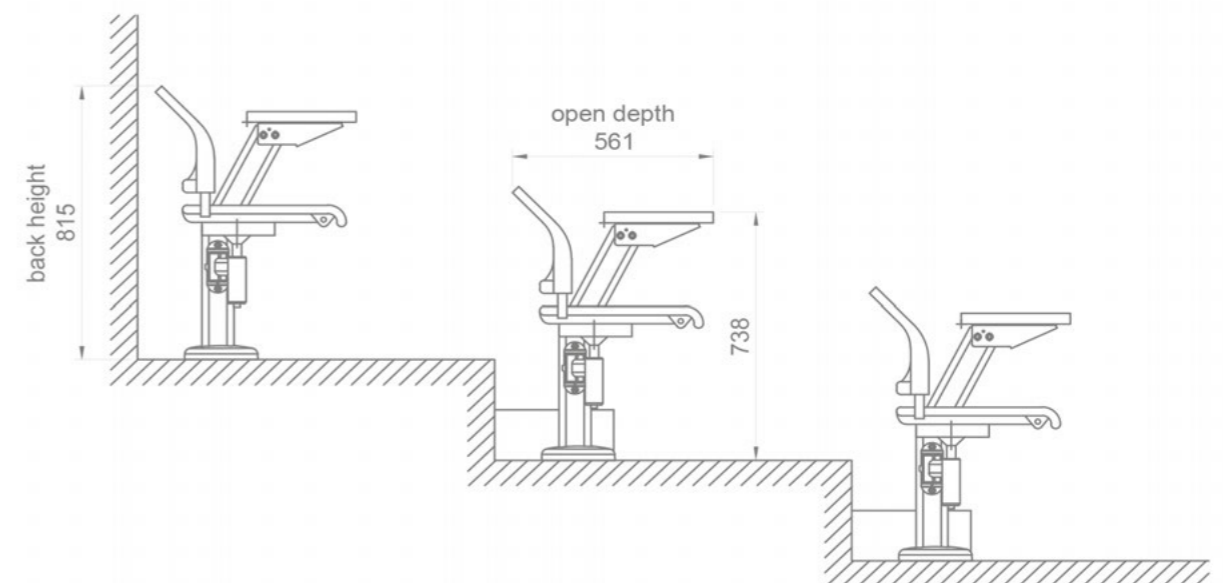
Harvard Business School

The **Harvard Business School** seating system is an executive style seating product used in many business schools, law departments and showcase lecture theatres.

Designed for style, comfort and ergonomics the HBS is available with a choice of executive style seating and many material options for writing desks.

It is a versatile seating solution which can be tailored to meet a variety of room specifications and configurations.

A **modern and ground breaking** seating solution used by establishments looking to get the very best from their teaching space.



traditional lecture spaces

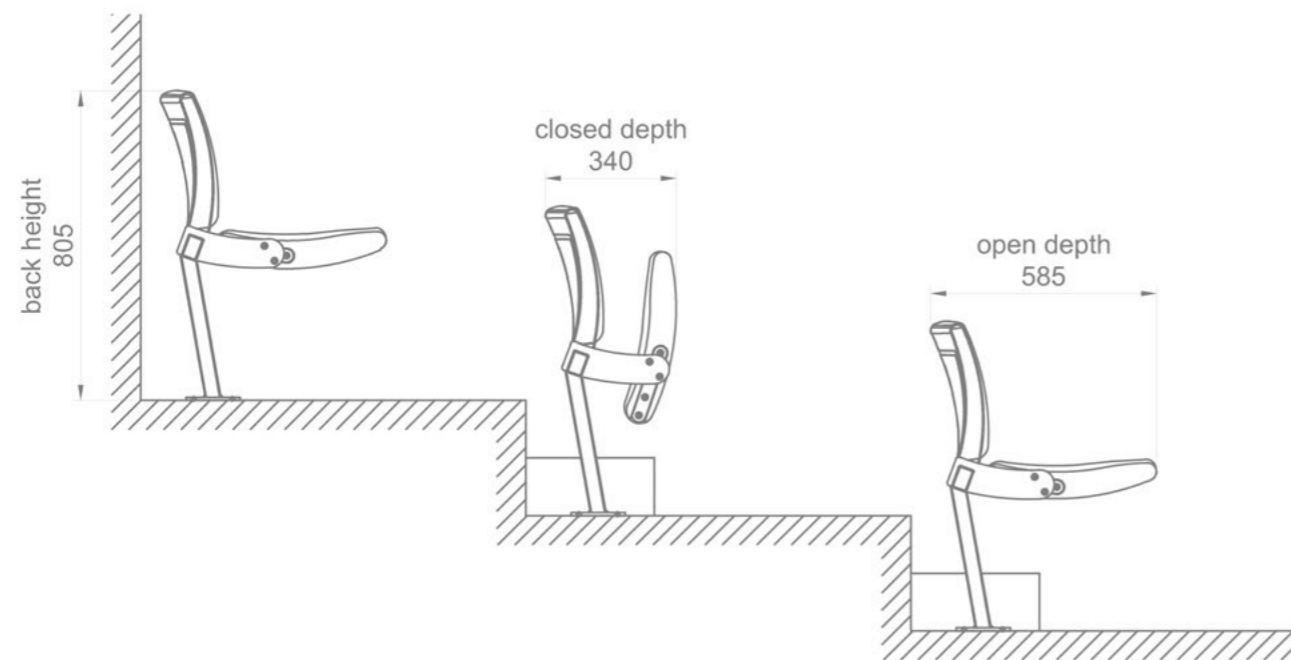
ARC

The best selling ARC is specifically designed for comfort, function and versatility.

It's ergonomic shape and contoured back focus particular attention on lumbar support and correct posture.

Revered for its comfort and versatility, the ARC is highly customisable. Higher backs, acoustic dampening and a wooden seat are just a few of the options available.

Lecture theatres achieve excellent utilisation of space with this seat which is suitable for radial and straight layouts.



traditional lecture spaces

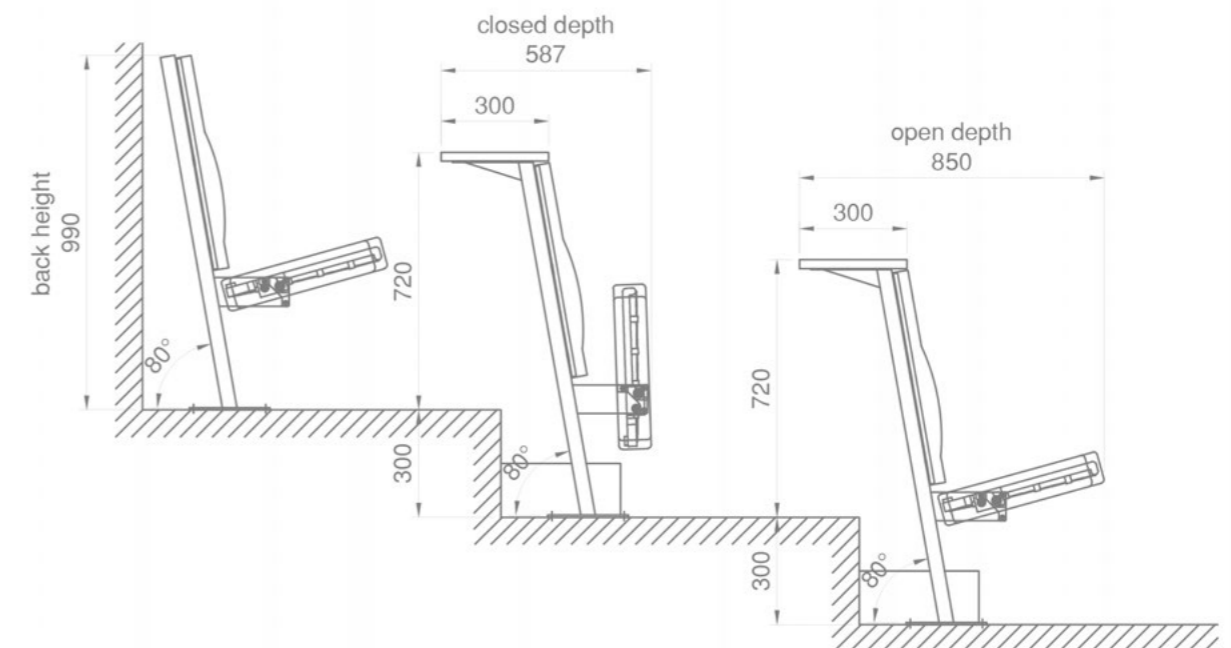
Athena

Designed specifically to maximise space in the traditional lecture theatre the Athena is renowned for its versatility and ease of maintenance.

Its sprung steel seat interior provides comfort for students and it is available in a variety of customised finishes and layouts.

The design incorporates seat backs with a lumbar support and it can be fitted with the Probox posture control system.

Ideally suited to compliment our structural tiering, this seat is the staple of many educational institutions.



traditional lecture spaces

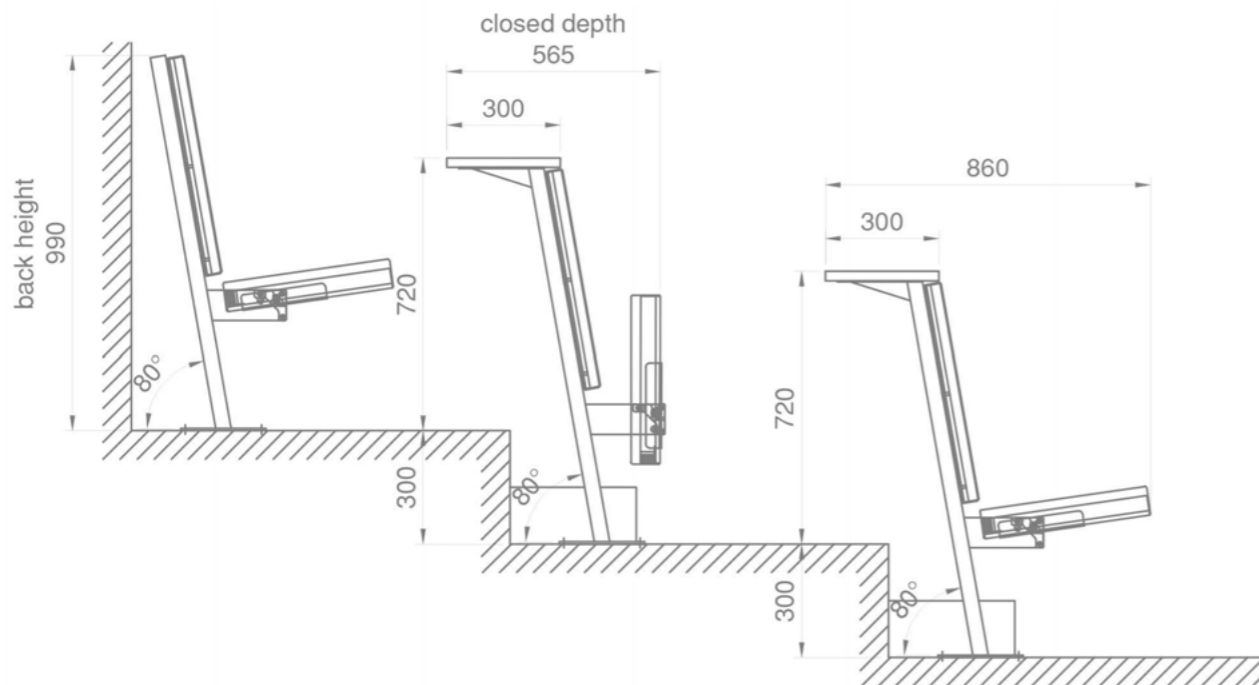
Aura

Universally popular. With an upholstered seat and back complete with a compact tip up mechanism, the Aura can be customised to suit most spaces.

With a wide range of desktop writing ledges and extensive range of fabric available, this product can be installed in any existing lecture theatre.

Highly practical with ease of maintenance, the Aura is available on short lead times.

The functionality, durability and value of the Aura have resulted in widespread adoption of this seating solution within the education sector.



seating made better

structural tiering

Structural Tiering

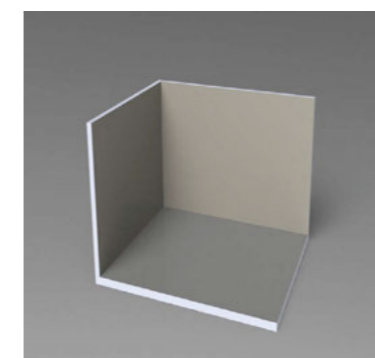
We are able to install bespoke tiering for any configuration to client specific design.

Installation can be carried out on either flat or sloped sub structure bases or can be attached to supporting steelwork. Adjustable feet on support legs are used in cases where there are uneven floor conditions.

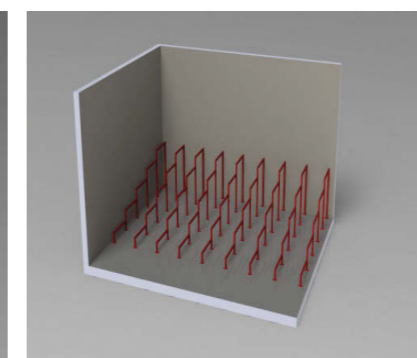
All components are manufactured off site creating a speedy installation and a clean environment.

Acoustic separation, fire retardency and smoke sealing is available. All tiering steelwork conforms to British Standards with wood being responsibly sourced from FSC certified suppliers.

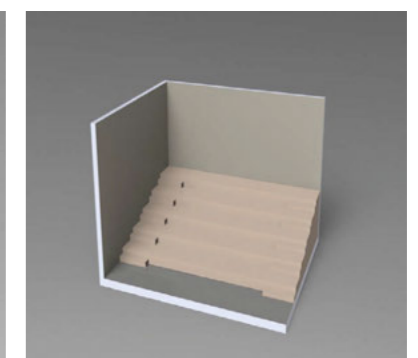
Included within our tiering options are provision for air ventilation systems, access hatches and the inclusion of power and data points.



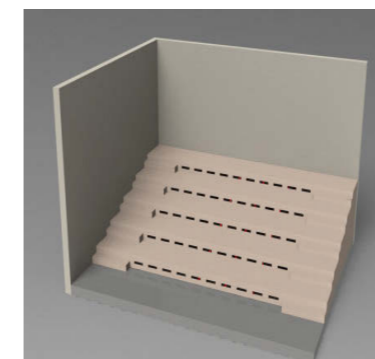
Your space



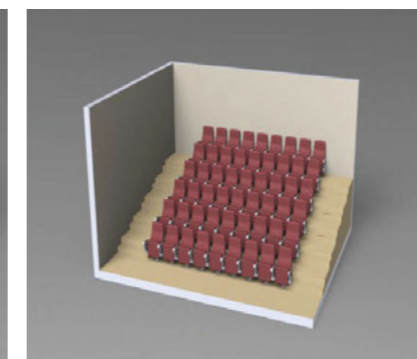
Erection of Steel Sections



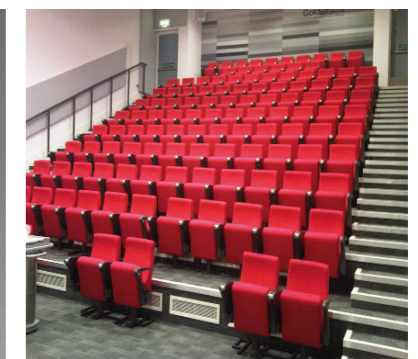
Timber decking and steps



Ventilation, power and data



Finished layout



Completed Installation

options

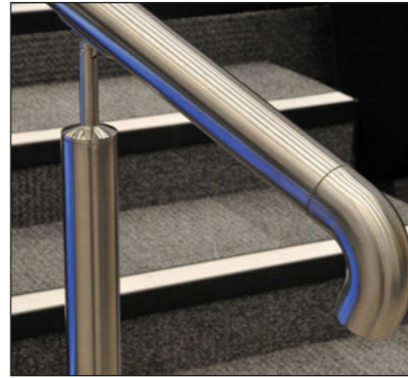
Options

As well as an almost unlimited range of upholstery and writing ledge options, power supply and USB sockets can be incorporated into seat frames or desking.

We can supply and install handrails and finishing items including a wide range of carpets and nosings.

Acoustic noise reduction systems, seat numbers and recessed LED aisle lighting are available. We can also offer a comprehensive maintenance package to prolong the longevity and performance of your seating.

Please contact our sales team to discuss any specific requirements you have.



we look forward to working with you to develop a solution for your requirements.

01743 761 244

info@fercoseating.co.uk



seating made better



ferco
seating made better

United Kingdom

Unit 28
Atcham Business Park
Shrewsbury
SY4 4UG

T: +44 (0) 1743 761 244

info@fercoseating.co.uk
www.fercoseating.co.uk

