

# ARC VIP



## Summary

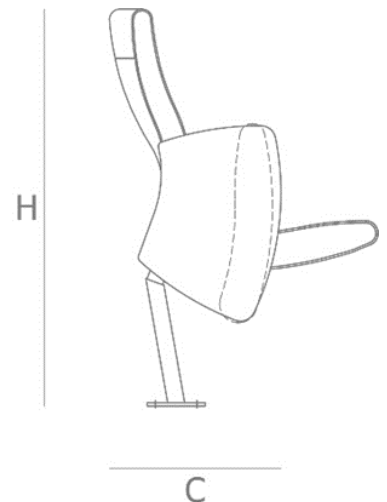
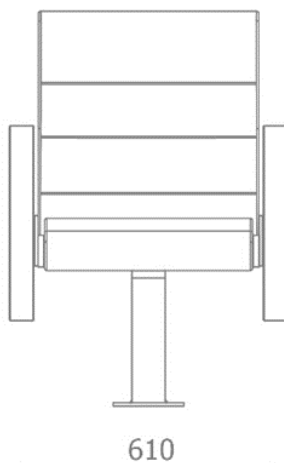
High-end seating for discerning guests who expect only the best, the ARC VIP meets the expectation of luxury with its high back, wide seat, padded side panels and solid wooden arm-rests.

Extremely popular for Director and Corporate areas in a variety of sporting venues.

ARC VIP was designed with maximum comfort for conscionable guests at the forefront of the design brief. Its high back rest, wide seat and deluxe padding make it the ideal chair for projects of note.



DIMENSIONS	
H	C
955	410



# ARC VIP



## DIMENSIONS

Centre to Centre :	610 (Minimum)
Backrest Height :	955
Closed Depth: 410	
Opened Depth: 645	
Seat Height: 450±10	

## DESCRIPTION & SPECIFICATION

### Structure

- Horizontal beam structure of 60mm x 40mm x 3mm.
- Hollow section pedestal with base plate 6mm thickness for riser mounted.
- BS 3692 Specification for ISO metric precision hexagon bolts, screws and nuts. Metric Units.
- BS EN 12727: 2000 Specification for strength and durability.

### Backrest and Seat.

- Fully upholstered with CMHR foam of 20-65mm thickness, density 45 kg/m<sup>3</sup>.
- Fully upholstered with fabric of choice.
- Fully upholstered with CMHR foam of 70-90mm thickness, density 60kg/m<sup>3</sup>.
- Fully upholstered with fabric of choice.
- Gravity tip up seat upholstered with foam and covered with fabric.

### Armrest

- Shared armrest or double armrest.
- Fully upholstered with fabric of choice.

### Metal / Fabric Finishing

- All metal parts exposed shall be stripped and cleaned with iron phosphate, hot water rinsed and then chromic acid rinsed.
- All metal parts are coated with an epoxy finish of at least 60 microns for indoor use and hot dipped galvanized to BS 729 for outdoor use.
- Conformity with BS-6496 hardness test.
- Standard fabric: Camira Mainline Plus

### Options

- PVC seat numbering
- Row lettering on end cap
- Riser mounted
- ARC Multi Armrest
- ARC Wrimatic™
- Aisle lighting with illuminated row letter
- Upholstered armrest
- Cup holder armrest
- Wooden armrest
- Flammability compliance with BS 5852 : 2006 section 3 ignition source 5.

### Advantages

- Comfort especially studied according to fundamental criteria of ergonomics.
- Durability of the chair & after sales service for all spare parts of the model.
- Curved backrest design for maximum comfort.
- "Steel Beam Clamp" concept giving the ease of relocation of seats along the beam.
- High-end seating for those important guests who expect only the best, fully upholstered ARC VIP with high back, wide back & padded side panels.

