

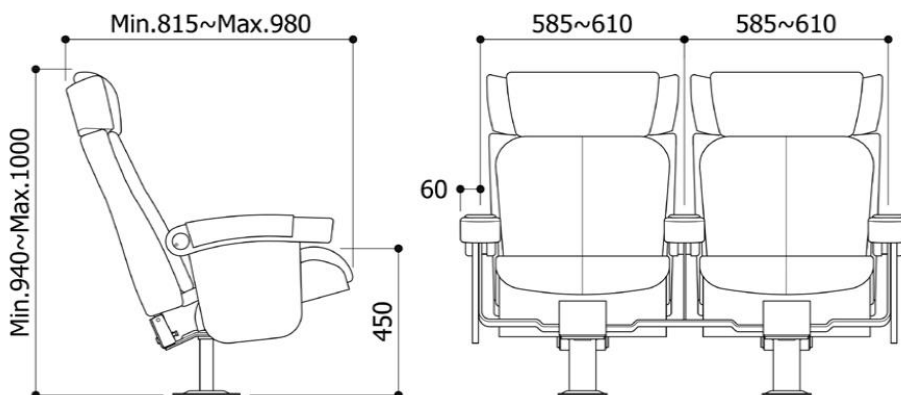
Premium Opus

Opus is the most recent addition to our Premium Range and we have spared nothing in giving you the maximum sitting comfort.

This seat really is extra special, where the shape of the seat and back embraces you and gives your body support in all the right places.

The wide padded back and seat base are designed to give superior comfort and ergonomics. The backrest and headrest are made from a mix of polyurethane and polyester. All covers in this range are removable for cleaning or repair.

A wide range of customisable options and accessories meet the needs and expectations of today's cinema operator and their patrons.



- 2 seat centre options
- Removable covers
- Embroidery

- Seat lettering/numbering
- Variable cupholders

Premium Opus

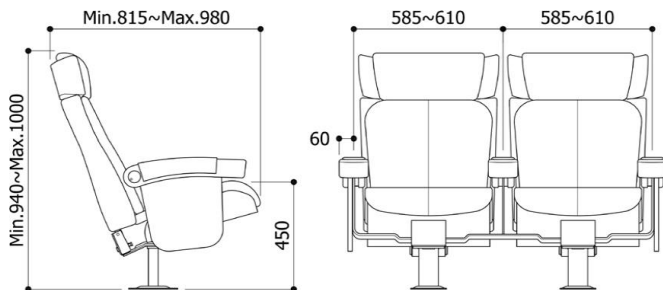
DIMENSIONS

Centre to Centre : 560/585/610mm

Backrest Height : 1000mm

Seat Depth: 860mm

Seat Height: 450±10mm



DESCRIPTION & SPECIFICATION

Structure

Centre and end standards are of lateral pedestal design inner structure made of 19mm x 19mm Thk 1.6mm square hollow section welded into each other including 19mm x 38mm Thk 2.0mm act as a main holding panel structure between seat and floor.

Backrest and Seat.

Inner metal frame with Ø19 Thk 2.0mm fabricated with metal supports upholstered with HR foam, density 45 kg/m³.

Upholstered with padded cover on seat, backrest and headrest with modern design and shape.

Upholstered with High Resilient foam of 80 – 100mm thickness and covered with fabric.

Metal / Fabric Finishing

All metal parts exposed shall be stripped and cleaned with iron phosphate, hot water rinsed and then chromic acid rinsed.

All metal parts are coated with an epoxy finish of at least 60 microns for indoor use.

Conformity with BS-6496 hardness test.

Standard fabric : To suit customer specification

Fire Safety

Flammability compliance with BS 5852:2006 section 3 ignition source 5.