

PRODUCT DATA SHEET

www.internationalgasdetectors.com

OLIVER IGD

Control Systems

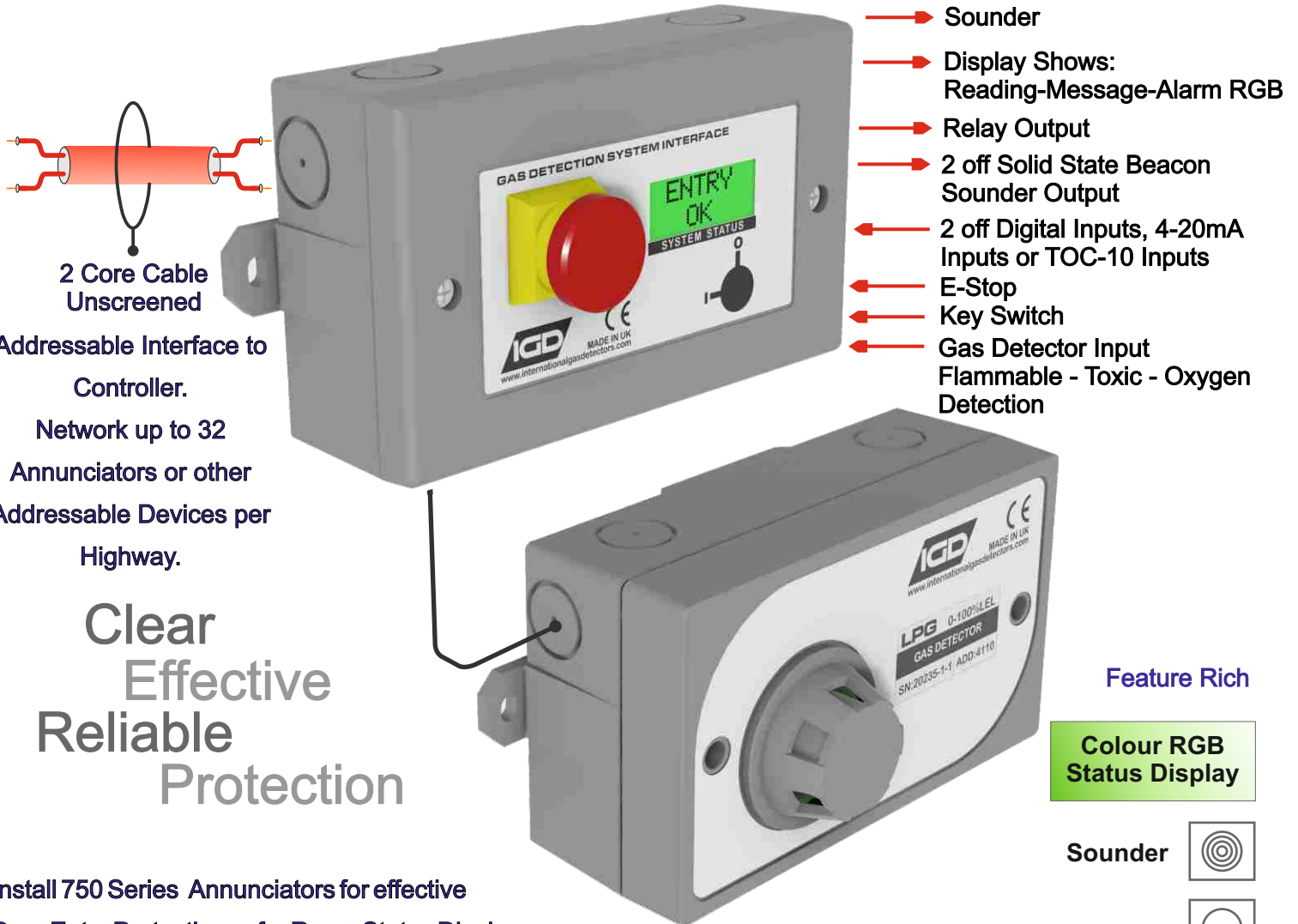
Transmitters

Sensors

Accessories

TOCSIN 750 SERIES ANNUNCIATORS

Addressable Gas Detection Interface Point
2-Wire Addressable Systems



2 Core Cable Unscreened

Addressable Interface to Controller.

Network up to 32 Annunciators or other Addressable Devices per Highway.






- Sounder
- Display Shows: Reading-Message-Alarm RGB
- Relay Output
- 2 off Solid State Beacon Sounder Output
- ← 2 off Digital Inputs, 4-20mA Inputs or TOC-10 Inputs
- ← E-Stop
- ← Key Switch
- ← Gas Detector Input Flammable - Toxic - Oxygen Detection

Clear Effective Reliable Protection

Feature Rich

Colour RGB Status Display

Install 750 Series Annunciators for effective Door Entry Protection or for Room Status Display. Green Display with Message When all is Good Changing to Flashing Red with Message in Alarm. With its Built in Sounder, 750 Annunciators Provide Clear Unambiguous Indication. Know Instantly The Hazard and Don't Confuse With Fire or Security Alarms. Add to this 750 Series Annunciators Include Interfacing For Gas Detectors and Your System Devices Providing Simple Installation with Enhanced Safety

- Sounder 
- Slam Switch 
- Control Relay 
- Digital or Analogue Device Inputs 
- Gas Detectors For Flammable Gases Toxic Gases or Oxygen Detection 

IGD
International Gas Detectors
CH₄ H₂S CO₂
NO NO₂ SO₂

OLIVER IGD
Triton House
Crosby Street
Stockport
SK2 6TS
England

Tel: +44 (0)161 483 1415
Fax: +44 (0) 161 484 2345
Email: sales@internationalgasdetectors.com
Website: www.internationalgasdetectors.com

 
FS646773
Ref: T750ANO

PRODUCT DATA SHEET

www.internationalgasdetectors.com

OLIVER IGD

Control Systems

Transmitters

Sensors

Accessories

Standard Specifications

Power	12 to 26V DC
Construction	ABS
Display	Optional 2 x 8 RGB LCD
User	Options for E-Stop and Key Switch
I/O	1 off SPCO Relays 4A/230V AC Non-Inductive User Configurable from 650/750 Controllers 2 multifunction ports as: Digital Input Max 0.2Hz Digital Input 0-3V Max 0.2Hz 4-20mA input or Solid State Output 24V DC Max 300mA shared Across both Ports Input From TOC-10 Link Function
Sensor	Direct Pellistor Interface Input for IGD Toxic, Oxygen, Infra red and PID detectors
sounder	85dB
Communication	IGD Sentinel+ Protocol, 2-Wire Connection A,B
Temperature	0 to 55 Deg C
Humidity	0-95% RH Non-Condensing
Sealing	IP55
Mounting	Wall Mount
Weight	1.75Kg

Standard Features

Colour Change display:

Green: No Alarm

Flashing Red: alarm

Amber: Fault

Blue: Menu system

Custom Message Display:

Green (no alarm) Default Message: ALL CLEAR
Note this alternates with the gas reading for any connected detector.

Red (alarm) Default Message: GAS ALERT

Amber (fault) Default Message: SYSTEM FAULT

Messages can be altered as required.

I/O can be configured to suit application, as much or as little as required.

All settings battery backed on module

Constant monitoring for faults

Calibration interface for connected detectors

REF: T750ANO



OLIVER IGD
Triton House
Crosby Street
Stockport
SK2 6TS
England

Tel: +44 (0)161 483 1415
Fax: +44 (0) 161 484 2345
Email: sales@internationalgasdetectors.com
Website: www.internationalgasdetectors.com



FS646773
Ref: T750ANO

PRODUCT DATA SHEET

www.internationalgasdetectors.com

OLIVER IGD

Control Systems

Transmitters

Sensors

Accessories

EC Declaration of Conformity

Issuers name and address:

Oliver IGD Limited of
Triton House
Crosby St,
Stockport,
United Kingdom



Declares that the product listed as:

TOCSIN 750 SERIES ANNUNCIATOR
Addressable 2-Wire Gas Detection System I/O Point

Are in conformity with the provisions of the following European Directive(s) when installed, operated, serviced and maintained in accordance with the installation and operating instructions contained in the product documentation.

2004/108/EC EMC Directive

2006/95/EC Low Voltage Equipment Directive (note not applicable to 24V DC Powered Versions)

And that the standards and/or technical specifications referenced below have been applied or considered.

EN 61779-1:2000

Electrical apparatus for the detection and measurement of flammable gases, general requirements and test methods.

EN 50271:2010

Electrical apparatus for the detection and measurement of combustible gases, toxic gases or Oxygen: requirements and tests for apparatus using software and or digital technologies.
Excluding requirements for SIL

EN 61000-6-2: 2005

EMC Generic standards. Immunity for industrial environments

EN 61000-6-4: 2007/A1: 2011 EMC Generic standards. Emission standard for industrial environments

EN 61000-3-2: 2014

EMC Limits. Limits for harmonic current emissions (equipment input current ≤ 16 A per phase)

EN 61000-3-3: 2013

EMC Limits. Limitation of voltage changes, voltage fluctuations and flicker in public low-voltage supply systems, for equipment with rated current ≤ 16 A per phase

Technical File Reference

T750ANN-TF9

Product Markings



TOC-750-ANN

SI-serial number

Oliver IGD Limited Operate and Independently assessed ATEX/IECEX QAN.

Oliver IGD Limited operate an independently assessed ISO9001:2008 Quality Management System.

Testing Agency:

Quality Assurance Certificate Number
ExVeritas 16PQAN0014

Quality Management Certificate Number
FS 646773

TUV - SUD
Octagon House
Concorde Way
PO 15 5RL
Fareham



Quality Assurance Notification Number:
2585

ExVeritas,
Units 16-18,
Abenbury Way,
Wrexham Industrial Estate,
Wrexham, UK, LL13 9UZ

BSI Assurance UK LTD,
Chiswick High Road,
London
W4 4AL
UK

Mehr Sicherheit.
Mehr Wert.

TUV Certificates and reports can be checked on-line at https://www.tuev-sued.de/industry_and_consumer_products/certificates

Issued by: Oliver IGD Limited, Stockport, SK2 6TS, United Kingdom

Signature:

Declaration of Conformity in accordance with EN ISO/IEC 17050-1:2010

Name

Andrew J Collier M.I.O.D

Position:

Managing Director

Date: 1.June 2016

Declaration Ref: T750ANN-DEC-2



International Gas Detectors

CH₄ H₂S CO₂
NO₂ SO₂ NO₂ CO



Triton House
Crosby Street
Stockport
SK2 6TS
England

Tel: +44 (0)161 483 1415

Fax: +44 (0) 161 484 2345

Email: sales@internationalgasdetectors.com

Website: www.internationalgasdetectors.com



FS646773
Ref: T750ANO

PRODUCT DATA SHEET

www.internationalgasdetectors.com

OLIVER IGD

Control Systems

Transmitters

Sensors

Accessories

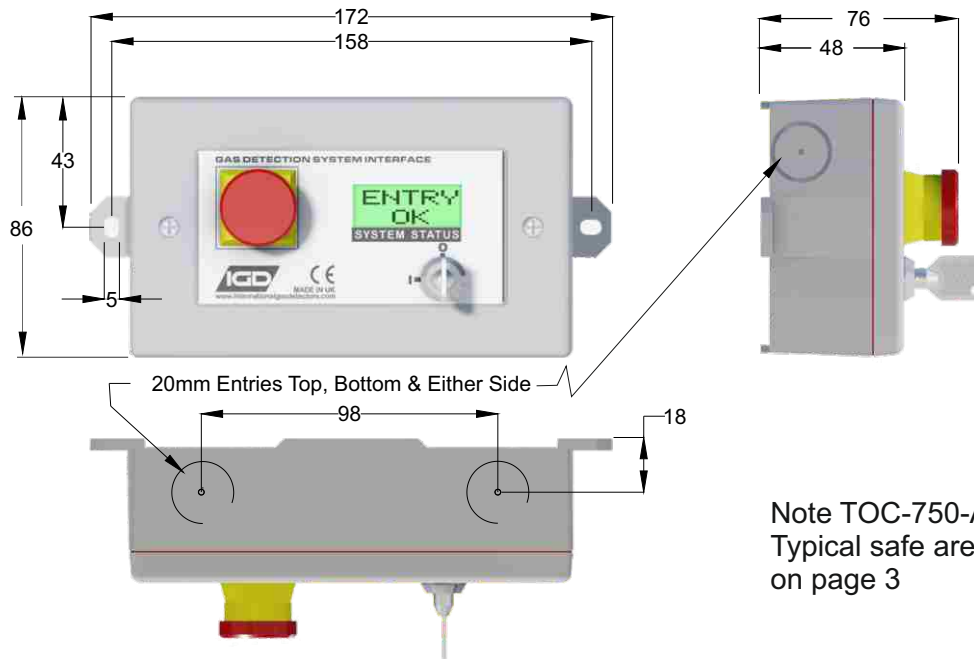
PART NUMBERS & FEATURES

Part Number	Description	Multifunction-IO	Relay	Sounder	Display	E-Stop	Key Switch	RGB Display
TOC-750-APP	Base Unit with Gas Detector	✓	✓	✓	✓			✓
TOC-750-AP1	With E-Stop	✓	✓	✓	✓	✓		✓
TOC-750-AP2	With Key Switch	✓	✓	✓	✓		✓	✓
TOC-750-AP3	With Key Switch & E-Stop	✓	✓	✓	✓	✓	✓	✓
TOC-750-ATX	With Type B ATEX Gas Detector	✓	✓	✓	✓	✓		✓
TOC-750-IO	No Display IO Function Only	✓	✓					

Annunciator Technical

Housing	ABS
Sealing	IP65 (using suitable glanding)
Environment	0 -95% RH Non Condensing
Temperature	0-55 Deg C
Voltage	12-26V DC
Communication	IGD Sentinel+ Protocol 2-Wire Power and Data Highway Connections as: A, B
Relay	4A Non Inductive Loads 230V AC
Inputs/Outputs	Gas Detector, TOC-10 Link Function Input (see TOC-10), Digital Switch, Solid State Outputs
Sounder	85dB
Display	2 x 8 Programmable LCD with RGB Backlight

Annunciator Mounting details and dimensions



Note TOC-750-AP3 Shown
Typical safe area detector
on page 3

IGD

International Gas Detectors

CH₄ H₂S CO₂
NO NO₂ SO₂

OLIVER IGD

Triton House
Crosby Street
Stockport
SK2 6TS
England

Tel: +44 (0)161 483 1415

Fax: +44 (0) 161 484 2345

Email: sales@internationalgasdetectors.com

Website: www.internationalgasdetectors.com



FS646773
Ref: T750ANO

PRODUCT DATA SHEET

www.internationalgasdetectors.com

OLIVER IGD

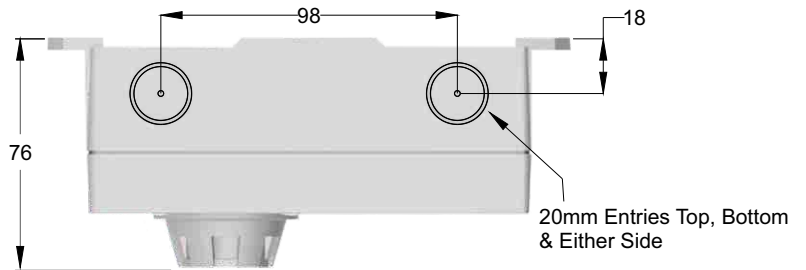
Control Systems

Transmitters

Sensors

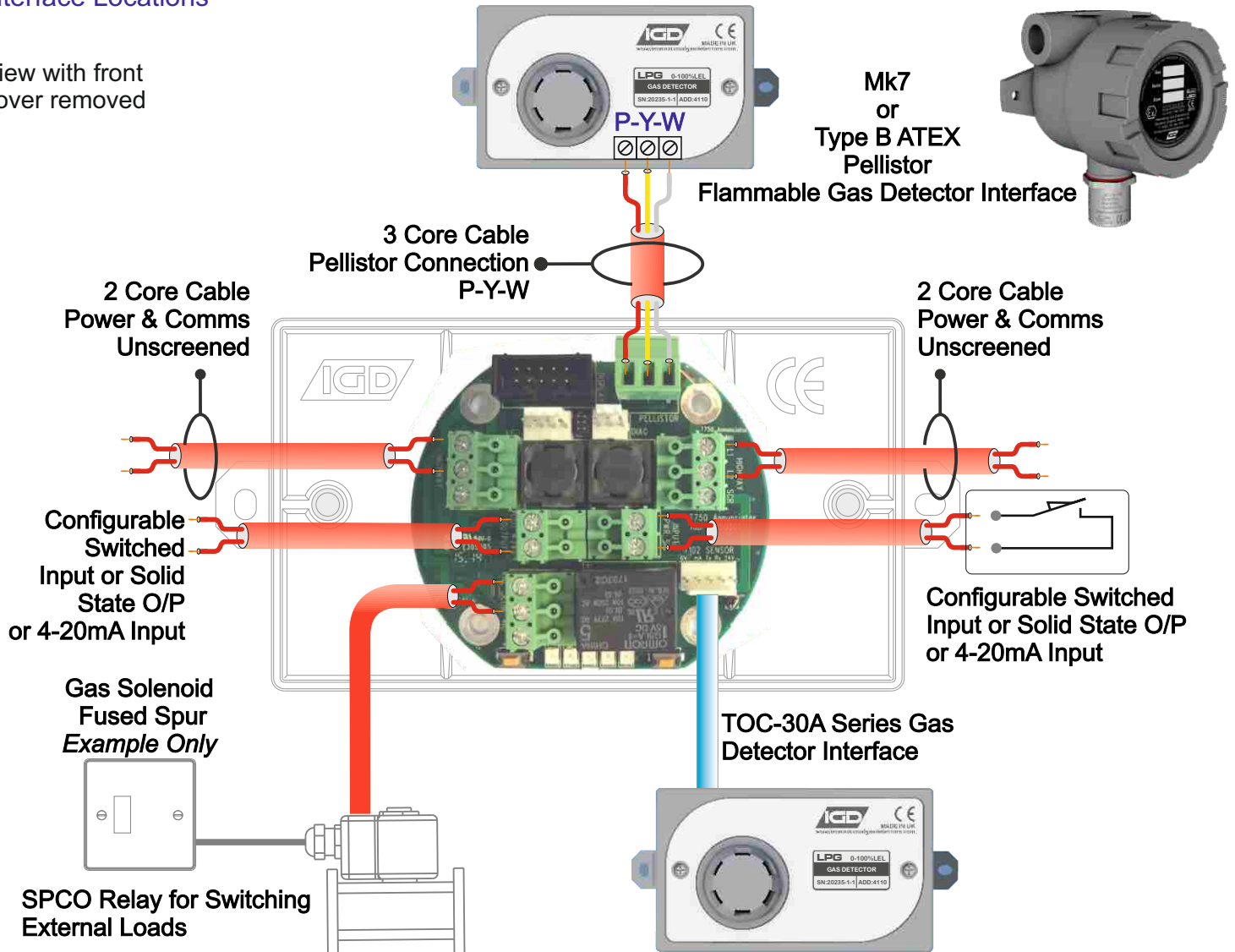
Accessories

Gas Detector Mounting details and dimensions Toc-750 Detectors & Toc-750 Annunciator Series



Interface Locations

View with front cover removed



OLIVER IGD
 Triton House
 Crosby Street
 Stockport
 SK2 6TS
 England

Tel: +44 (0)161 483 1415
 Fax: +44 (0) 161 484 2345
 Email: sales@internationalgasdetectors.com
 Website: www.internationalgasdetectors.com



FS646773
 Ref: T750ANO

PRODUCT DATA SHEET

www.internationalgasdetectors.com

OLIVER IGD

Control Systems

Transmitters

Sensors

Accessories

TOC-750 Series Safe Area Gas Detectors

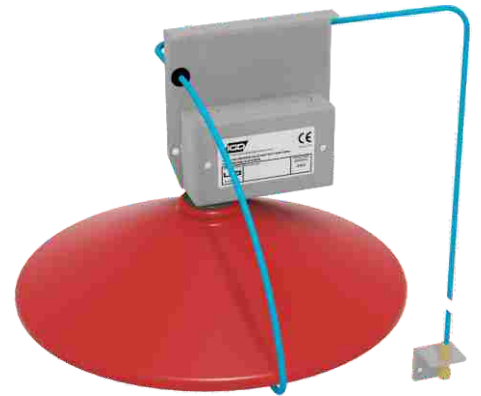


750 Series Gas Detectors provide accurate measurement of the background atmosphere for a specific hazardous target gas. Clean lines and easy integration into existing or newly planned control systems make the TOC Series the safety engineers device of choice. Using the latest microprocessor 2-Wire addressable technology and software TOC Series detectors are a reliable long term monitoring solution.

TOC 750 Series Detectors are supplied pre-calibrated ready to use and directly connect to TOCSIN 650 or 750 Series Controllers.

Order Codes TOC-750 Series Detectors

Gas	Standard Range	Order Code	Typical Cell Life
Flammable Gases	0-100% LEL	TOC-750-PHC	>3 Years
Carbon Monoxide	0-100ppm	TOC-750-CO	>5 Years
Oxygen	0-30% Vol	TOC-750-O2	>5 Years
Nitric Oxide	0-200ppm	TOC-750-NO	>2 Years
Nitrogen Dioxide	0-20ppm	TOC-750-NO2	>2 Years
Ammonia	0-100ppm	TOC-750-NH3	>2 Years
Chlorine	0-20ppm	TOC-750-CL2	>2 Years



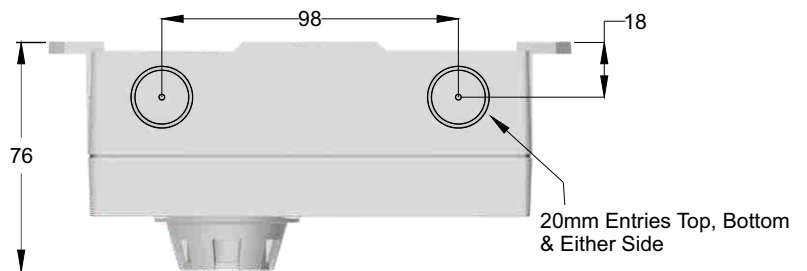
Detector Fitted with gas collector cone and remote gassing facility

Order Codes Accessories

Gas Collector Cone For TOC-750 Series Code TOC-750-CNE
 Remote Gassing Facility Code TOC-750-RME
 Splash Guard Code TOC-750-SPL
 Calibration Adaptor TOC20/30 Series Code 4011109

Full Specifications Refer to 750 Safe Area Detector data sheet

Mounting details and dimensions Toc-750 Safe Area Detectors



PRODUCT DATA SHEET

www.internationalgasdetectors.com

OLIVER IGD

Control Systems

Transmitters

Sensors

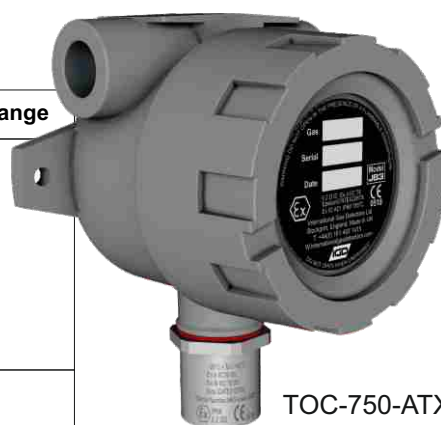
Accessories

TOC-750 Series Atex Gas Detectors

750 Series Gas Detectors ATEX Gas Detectors provide the ultimate in safety for gas detection in hazardous areas. Approved to the latest ATEX standards and utilising IGD's 2-Wire Sentinel+ technology this range is simple to install, robust in operation with peace of mind that plant and personnel are effectively protected. IGD's comprehensive range provides protection for all your gas hazards

Order Codes TOC-750 Series ATEX Gas Detectors

Sensor type	Part Number	Min Range	Max Range
Flammable Gases Pellistor	TOC-750-ATX	0-100%LEL	
	TOC-750-AP4 With Display And E-Stop Display Non ATEX		
Flammable Gases Infra-Red Point	TOC-750A-FL	0-100%LEL	
	TOC-750A-HFL		0-100%Vol
Carbon Dioxide Infra-Red Point	TOC-750A-CO2	0-3000ppm 0-5000ppm 0-2% 0-5%	
	TOC-750A-HCO2		0-100%
Carbon Monoxide	TOC-750A-CO	0-100ppm	0-1000ppm
	TOC-750A-HCO	0-2000ppm	0-4000ppm
Nitric Oxide	TOC-750A-NO	0-50ppm	0-250ppm
Nitrogen Dioxide	TOC-750A-NO2	0-20ppm	0-50ppm
Hydrogen Cyanide	TOC-750A-HCN	0-10ppm	0-200ppm
Hydrogen Sulphide	TOC-750A-H2S	0-50ppm	0-100ppm
	TOC-750A-HH2S	0-500ppm	0-1000ppm
	TOC-750A-VH2S	0-5000ppm	0-10000ppm
Ammonia	TOC-750A-NH3	0-100ppm	0-200ppm
	TOC-750A-HNH3	0-1000ppm	0-2000ppm
	TOC-750A-VNH3	0-5000ppm	0-7000ppm
Oxygen	TOC-750A-O2	0-25%	
Sulphur Dioxide	TOC-750A-SO2	0-5ppm	0-50ppm
Hydrogen Chloride	TOC-750A-HCL	0-5ppm	0-50ppm
Hydrogen	TOC-750A-H2	0-200ppm	0-2000ppm



TOC-750-ATX



TOC-750A-H2S

II 2 D G Ex db IIC T6 Gb
IECEx EXV16.0002X
ExVeritas 16ATEX0140X
Ex tb IIIC Db. M20 Entries



Ex db IIC T6 Gb Ta = -20° to +40°C
Ex tb IIIC T85°C Db IP66
Ex db IIC T5 Gb Ta = -20° to +55°C
Ex tb IIIC T100°C Db IP66
IECEx EXV16.003X Rating 2W
ExVeritas 16ATEX 0141X



2585

Full Specifications Refer to 750
ATEX data sheet



International Gas Detectors

CH₄ H₂S CO₂
NH₃ SO₂ NO₂ O₂



Triton House
Crosby Street
Stockport
SK2 6TS
England

Tel: +44 (0)161 483 1415

Fax: +44 (0) 161 484 2345

Email: sales@internationalgasdetectors.com

Website: www.internationalgasdetectors.com



FS646773
Ref: T750ANO

PRODUCT DATA SHEET

www.internationalgasdetectors.com

OLIVER IGD

Control Systems

Transmitters

Sensors

Accessories

System Example



Controller in Supervisors Office

Use Annunciators For Door Entry Control.



Use Annunciators with Gas Detector Interfaces to Detect & Alarm in Specific Areas

Laboratory

Mix Annunciators With Other Addressable Devices Such as TOC-750 Series Detectors. Use ATEX Rated detectors where required



Gas Bottle Store



Use the Detector or Annunciator I/O Capability to Control Gas Supply Valves, Beacon-Sounders or other devices

2 Core Highway as:
24V A,B
Typically 1.5mmSQ
Unscreened Cable

ATEX Zoned Area

