

LANG+FULTON



Grating Fences

Pressure-Locked Range
Torino | Como | Garda

t: 0131 441 1255

sales@langandfulton.co.uk

www.langandfulton.co.uk



The history of Lang+Fulton dates back to 1781. The company now operates as a leading supplier of quality fencing products offering standard and bespoke designs throughout the UK and to worldwide destinations.

Our sales and technical office provides a full design service for panels, posts and gates with detailed CAD drawings for layout and installation and consultant engineering services for barrier fences which require a particular loading specification.

Lang+Fulton pressure-locked fencing is a superior range of products for prestige projects. The process of pressure-locking produces a very high quality material with perfectly formed intersections, resulting in the most aesthetic grating material.

The fence panels are constructed entirely from flat bars by pressing a series of cross bars into notched vertical bars and secured with a framing bar.

In addition to standard sizes, panels can be ordered to non-standard heights and widths. Taller fence heights are achieved by an arrangement of stacked panels,

Fencing can be supplied with a choice of posts for either ground fixing or wall mounting.

Bespoke

It is possible to supply fencing to a bespoke specification by altering the arrangement and spacing of the flat bars.

Fencing as a balustrade can also be manufactured with equal depth transverse and vertical bars to provide an identical 'eggcrate' appearance from both sides.



Finishing

All products are supplied hot-dip galvanized to BS EN ISO 1461 for long term durability and a low-cost life cycle.

A subsequent optional polyester powder coating is available in any RAL colour in full accordance with BS EN 13438. This provides a smooth finish which is less attractive to dust and dirt; it is always recommended for schools or residential projects.



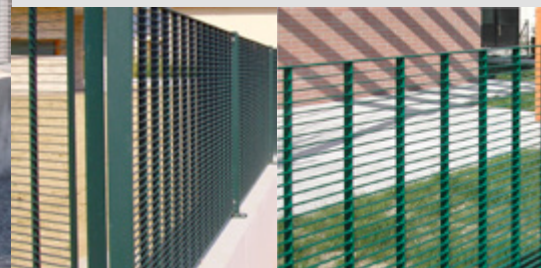
Torino

The Torino range represents a totally new concept; the exclusive and unusual arrangement of closely spaced transverse bars generates a uniquely horizontal emphasis within the grating fence market.



Torino is available in a choice of four standard apertures but can also be supplied in larger mesh sizes. The spacing between the horizontal bars increases by increments of 11mm for the different versions.

It can therefore provide fencing with surprisingly different properties and characteristics: either for security with a strong, clearly defined structure or for boundary demarcation with an open, transparent appearance.





Case Study: Channelsea House is a development of 72, one and two-bed, newly converted apartments located in Stratford. The renovation features a new facade and landscaped garden with secure underground car parking.

Externally, this former office building in East-London has been given a contemporary urban finish complimented by Lang+Fulton's Torino fencing and gates.



Product: Torino-22

Fence Heights: 2700, 1800, 1300mm

Gates: pedestrian ,double leaf and sliding (with provision for automation)

Finish: hot-dip galvanized, ppc Ral 7016

Client: IDM Properties

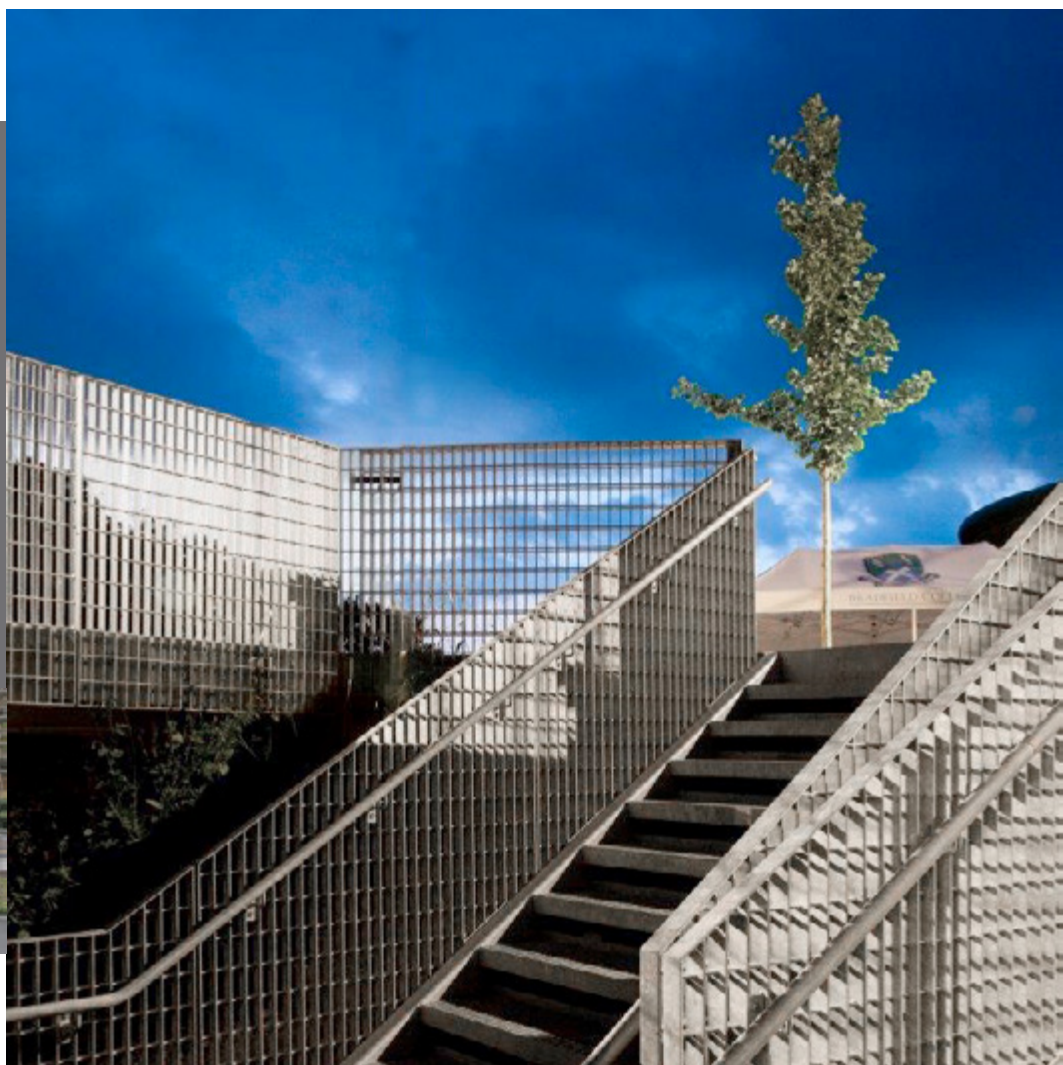


Como

Como is characterised by its rectangular aperture.

Como-66 is the most economical fence within the range and provides a good level of security.

The anti-climb properties of Como-33 makes it particularly appropriate for schools and colleges. The tight aperture complies with NHBC guidelines.



Como-33
Aperture (c/c): 33x132mm

Como-44
Aperture (c/c): 44x132mm

Como-66
Aperture (c/c): 66x132mm





Case Study: The new pedestrian link at Manchester Metropolitan University runs between student accommodation and the University Barracks of Manchester & Salford Universities Officer Training Corps.

A Como fence with a bespoke tapered top was specified to provide appropriate security for an army facility and was installed to incorporate sections of granite wall featuring memorial plaques.



Product: Como-66 with custom-designed high security top

Gates: double leaf swing gates

Finish: hot-dip galvanized

Landscape Architect: idverde UK

Award: British Association of Landscape Industries (BALI)



Garda

The Garda range has a square aperture which conveys a contemporary urban aesthetic.

The range is available in a choice of apertures for boundary security.

Garda-132 has a very open, unobtrusive construction and is widely used as a trellis to support planting.



Garda-44
Aperture (c/c): 44x44mm

Garda-66
Aperture (c/c): 66x66mm

Garda-99
Aperture (c/c): 99x99mm

Garda-132
Aperture (c/c): 132x132mm





Barrier Fencing

Torino fencing can be engineered to meet the British Standard requirements for a barrier fence.



Case Study: Torino-33 was designed to meet Network Rail's requirements for a barrier fence at a new station at Rochester. The brief was to supply fencing which would sustain a crowd loading while providing an uninterrupted view of the town's historic buildings.

The fence panel was specially made with the standard 10x2mm horizontal bar replaced by a single deeper section of bar at the loading point.



Gates

Gates are made to custom sizes and supplied with SHS posts appropriate to the overall size and weight. Infill panels are supplied to match the full range of fences.

Gates are designed for manual operation but can also be automated for installation by specialist engineers.



Types of Gate

Swing/hinged: single-leaf, double-leaf or bifolding

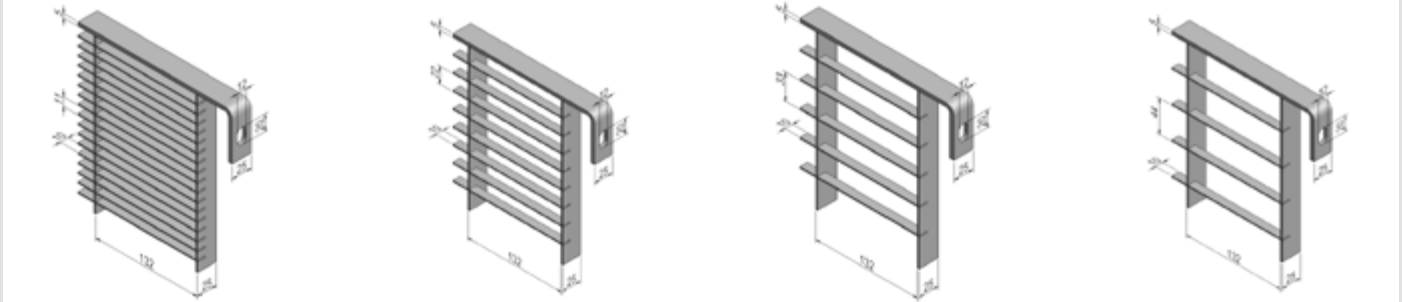
Pivot: mounted on a single post

Sliding: fixed rail or cantilevered up to 2500x6000mm

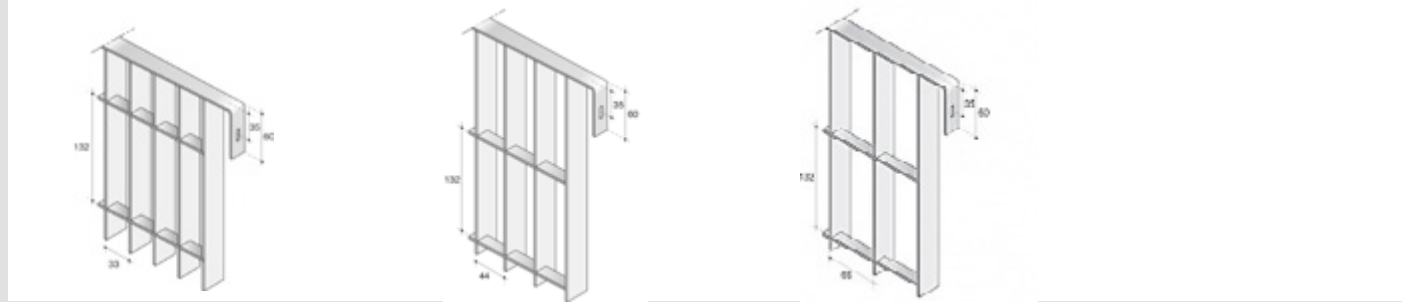
Optional Accessories: euro-profile locks, maglocks, sliding latches, electric strikes, adjustable hinges, self-closing hinges.



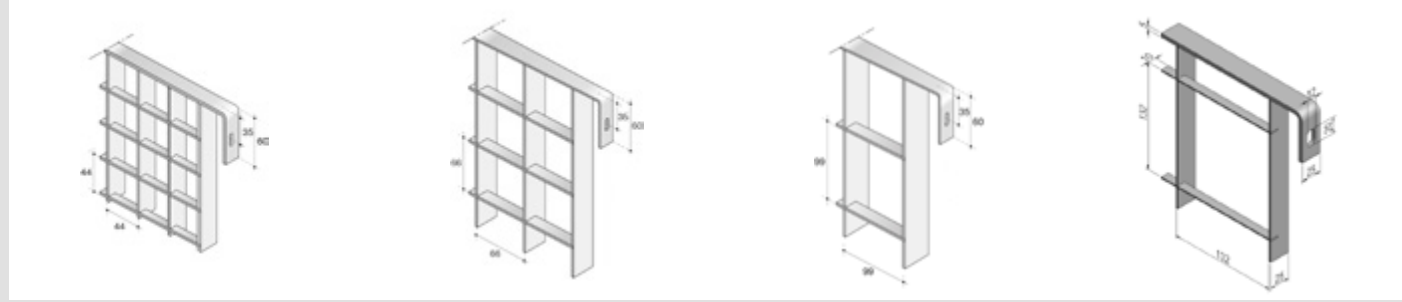
Torino-11(132x11) | Torino-22 (132x22) | Torino-33 (132x33) | Torino-44 (132x44)



Como-33 (33x132) | Como-44 (44x132) | Como-66 (66x132)



Garda-44 (44x44mm) | Garda-66 (66x66mm) | Garda-99 (99x99mm) | Garda-132 (132x132mm)

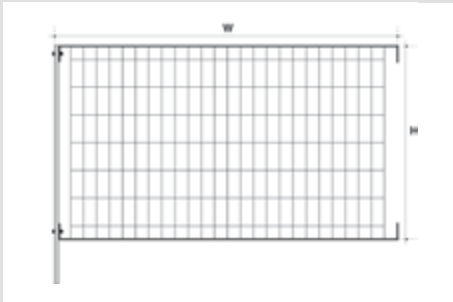
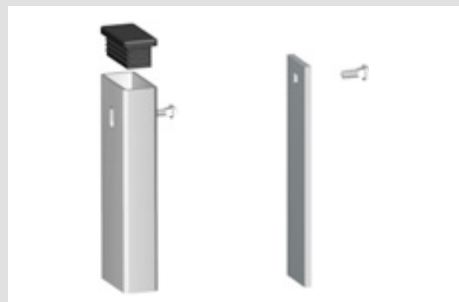


Standard Sizes

PANEL		RHS POST	FLAT POST	GROUND FIXING	WALL FIXING
HEIGHT mm	WIDTH mm	SECTION mm	SECTION mm	LENGTH/ANCHORAGE mm	LENGTH/ANCHORAGE mm
935	1992	50x30	60x7	1500/550	1210/200
1199	1992	50x30	60x7	1800/600	1494/200
1331	1992	50x30	60x7	2000/600	1625/200
1463	1992	50x30	60x7	2100/600	1758/200
1727	1992	60x40	60x7	2400/600	2015/200
1991	1992	80x40	80x8	2800/700	2336/250

STANDARD PANEL WIDTH 1992mm

NON-STANDARD PANEL HEIGHTS AND WIDTHS AVAILABLE TO ORDER





LANG+FULTON

Lang & Fulton Ltd, Newbridge Industrial Estate, Newbridge, Edinburgh EH28 8PJ
t: 0131 441 1255 sales@langandfulton.co.uk www.langandfulton.co.uk

Stockholding Depot: Cygnus Point, Black Country New Road, West Bromwich B70 0BD