

CALIPOT SERIES CALIBRATION VESSELS

INTRODUCTION

Prochem Calipots are used to confirm correct dosing rates from system dosing pumps. The calibration pot is normally filled to a set level and the dosing pumps then fed from it for a pre-set period - usually one minute. The pumping rate is then checked against the time-calculated flow rate. They are normally a permanent part of the installation and can be supplied with three way valves so that they can be valved in and out of circuit to suit operational needs. Although normally fitted to the suction side of the pump Calipots can be fitted to the discharge side under some circumstances.

DESIGN

Prochem Calipots are manufactured in PVC end caps and tube. PVC, polypropylene, PVDF, PTFE, stainless steel, or exotic metals with borosilicate glass to suit most liquids. All standard Calipots are designed for atmospheric pressure operation only but higher operating pressure units can be supplied to order. Calipots with design pressures of 11 BarG. have been manufactured by Prochem.

PVC UNITS utilize a transparent PVC tube and solid PVC base and top. Two types are available – base mounted and backboard mounted. In both cases the scale is mounted directly on the measuring cylinder.

METAL & OTHER PLASTIC UNITS use a rugged precision borosilicate glass measuring cylinder which is clamped between the solid base and top using stainless steel tie rods and ‘O’ ring seals. The scale is mounted directly on the glass cylinder and protective PVC or mesh shrouds are available as an option for rough or toxic duty applications.

SIZES & CONNECTIONS

The standard capacities and connections are as follows. All units can be supplied with either screwed or flanged outlet connections but non-standard connections such as compression or RTJ can also be supplied.

CAPACITY (Ltr.)	0.12	0.25	0.5	1.0	2.0	3.0	4.0	5.0	7.5	10.0	15.0	20.0
CONN. (FEED)	½"	½"	½"	½"	½"	½"	1"	1"	1"	1"	1"	1"
CONN. (VENT)	3/8"	3/8"	3/8"	3/8"	3/8"	3/8"	½"	½"	½"	½"	½"	½"

INSTALLATION

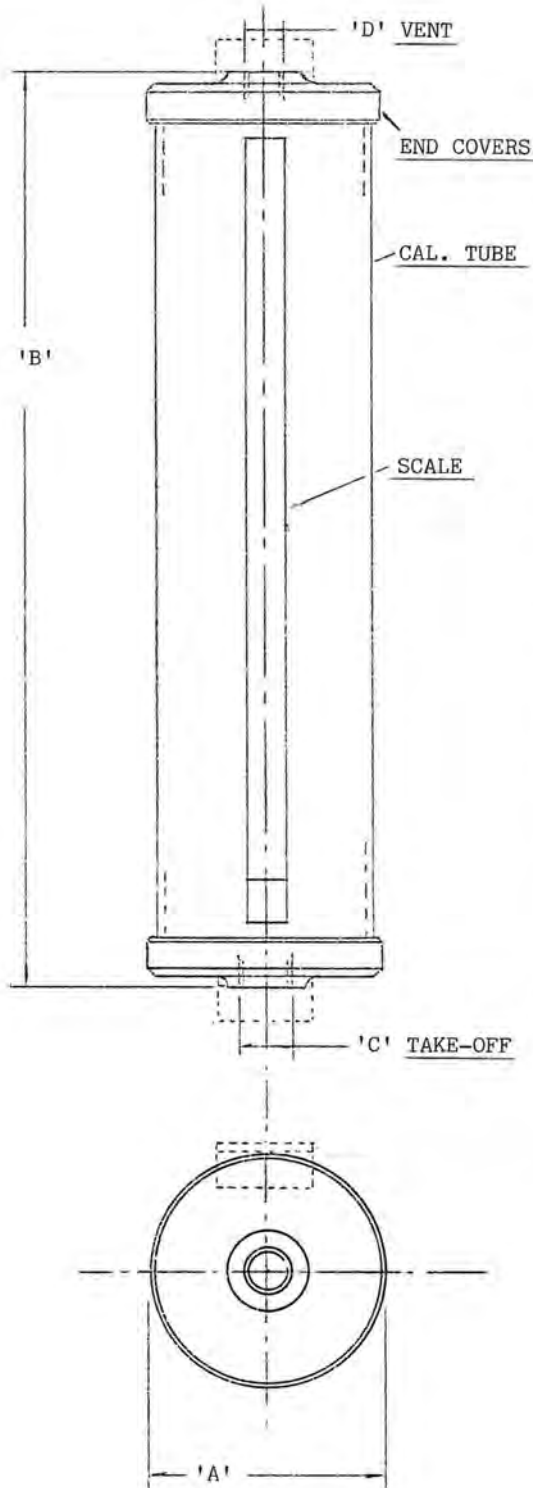
Calipots should be installed as close to the dosing pump as is practical and should be equipped with a three-way valve to enable the pump to be calibrated directly from the Calipot and then switched over to normal direct supply tank feed for full time operation. Care should be taken so that the pump suction cannot be dead headed against the Calipot or an isolation valve as this could cause damage to the pump and/or the Calipot.

QUOTATION INFORMATION

In order to quote for Calipots we need the following information:

- 1) Size of Calipot required (or pump delivery rate).
- 2) Details of the liquid handled by the system or any preferred construction materials.
- 3) Details of any preferred connection size and type.

© THIS DRAWING IS THE PROPERTY OF PROCHEM SERVICES AND CANNOT BE REPRODUCED OR USED WITHOUT THE COMPANY'S EXPRESS PERMISSION



CAP.	A	B	C	D		
0.125	41	353	1/2"	3/8"		
0.25	49	367				
0.50	49	613				
1.0	73	513				
2.0	99	462				
2.5	99	548				
3.0	99	633				
4.0	120	590	1"	1/2"		
5.0	120	704				
7.5	175	545				
10.0	175	680				
15.0	175	950				
20.0	175	1220				
30.0	175	1765				

NOTES:

- 1) CONNECTIONS ARE BSPF - NPTF AVAILABLE.
- 2) STANDARD SCALE IS ADHESIVE VINYL IN CC/LTRS. ENGRAVED SCALE IS AVAILABLE IN CC/LTRS. OR LTRS/HR.
- 3) TOLERANCES +/- 2mm.
- 4) ALL PVC CONSTRUCTION.
- 5) CALIPOT CAN BE EQUIPPED WITH 3-WAY VALVE PROVIDING BOTH CALIBRATION AND OPERATING MODE CONFIGURATION.

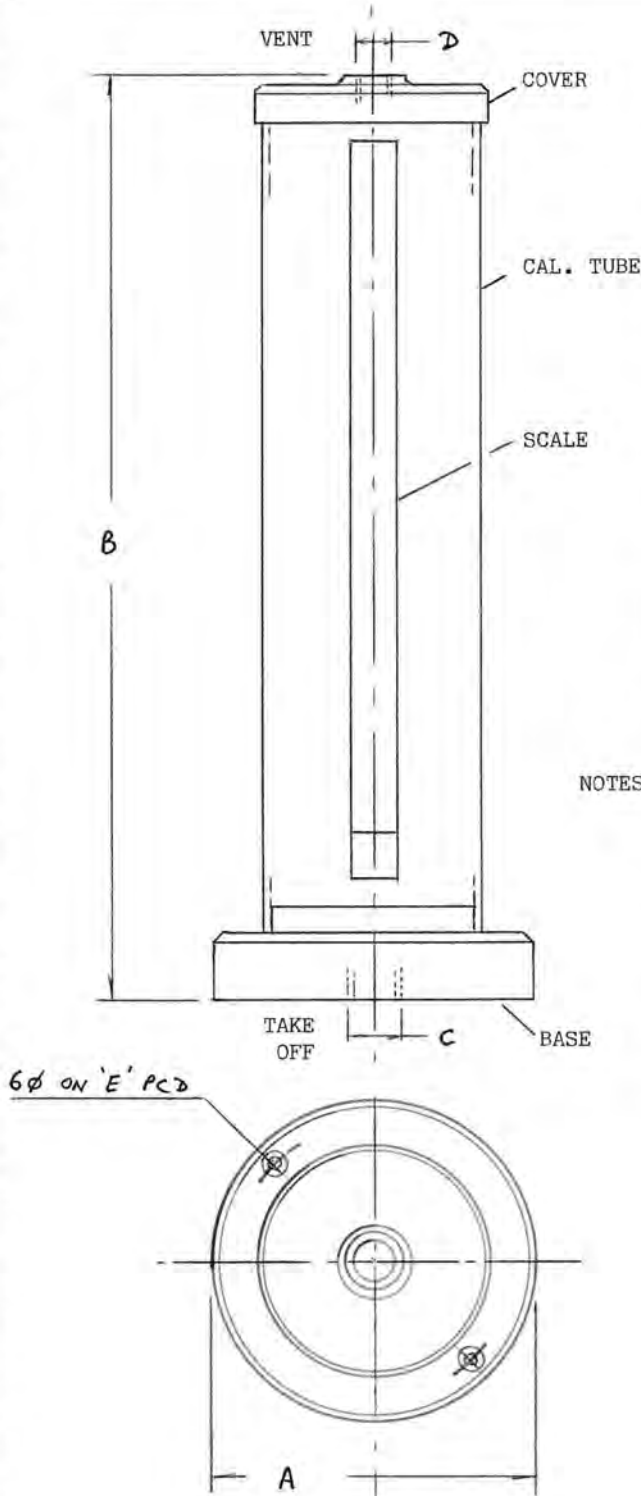
PROCHEM SERVICES LTD.
 CONGLETON, CHESHIRE, CW12 1UN, ENGLAND

DRAWING No. **PS/00/701** REV. 0

SUBJECT PVC CALIPOT OUTLINE.
 BACKBOARD MOUNT DESIGN. 0.125-20Lt

REV.		REV.	
REV.		REV.	

© THIS DRAWING IS THE PROPERTY OF PROCHEM SERVICES AND CANNOT BE REPRODUCED OR USED WITHOUT THE COMPANY'S EXPRESS PERMISSION



CAP.	A	B	C	D	E
0.25	85	413	1/2"	3/8"	65
0.50	85	688			65
1.0	114	581			90
2.0	140	618			115
2.5	140	618			115
3.0	140	714			115
4.0	160	660	1"	1/2"	135
5.0	160	789			135
7.5	210	581			185
10.0	210	732			185
20.0	210	1294			185

- NOTES:
- 1) CONNECTIONS ARE BSPF-NPTF AVAILABLE.
 - 2) STUDED FLANGE CONNECTIONS AVAILABLE WHERE PRACTICAL.
 - 3) STANDARD SCALE IS ADHESIVE VINYL IN CC/LTRS. ALTERNATE ENGRAVED SCALE AVAILABLE IN CC/LTRS. OR LTRS/HOUR.
 - 4) MOUNTING SCREW HOLES ARE COUNTERBORED.
 - 5) SIDE OUTLET TAKE OFF AVAILABLE.
 - 6) TOLERANCES +/- 2mm.
 - 7) ALL PVC CONSTRUCTION.
 - 8) CALIBRATION VESSEL CAN BE EQUIPPED WITH 3-WAY VALVE PROVIDING BOTH CALIBRATION AND OPERATING MODE CONFIGURATIONS.

PROCHEM SERVICES LTD.
CONGLETON, CHESHIRE, CW12 1UN, ENGLAND

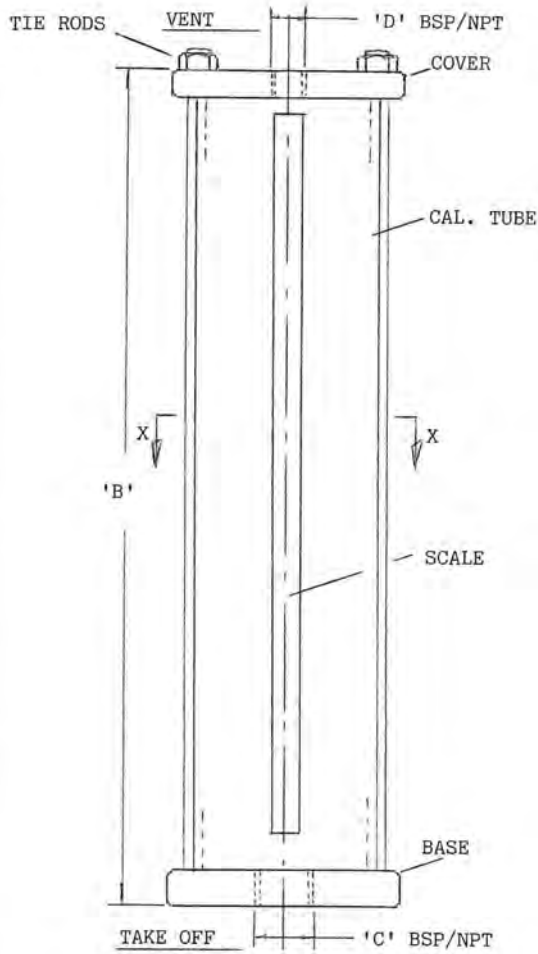
DRAWING No. **PS/ 97/569** REV. 0

SUBJECT PVC CALIPOT OUTLINE.

ROUND BASE DESIGN. 0.25 - 20Lt.

REV.		REV.	
REV.		REV.	

© THIS DRAWING IS THE PROPERTY OF PROCHEM SERVICES AND CANNOT BE REPRODUCED OR USED WITHOUT THE COMPANY'S EXPRESS PERMISSION



CAP. Lt	A	B	C	D
0.12	60	308	½"	¾"
0.25	74	260	↑	↑
0.5	74	441		
1	101	340		
2	107	533	↓	↓
2.5	150	420	↑	↑
3	150	488		
4	150	624	1"	½"
5	150	759		
7.5	177	724		
10	177	938		
15	190	1104		
20	190	1445	↓	↓
COMPACT OPTIONS				
5	177	509	1"	½"
10	190	762		
15	266	530		
20	266	680	↓	↓

NOTES

- 1) TOLERANCES +/- 2mm.
- 2) SEALS ARE VITON OR EPDM - OTHERS AVAILABLE ON REQUEST.
- 3) STANDARD SCALE IS ADHESIVE MOUNTED ENGRAVED TRAFFOLYTE IN CC/LTRS.
- 4) CALIPOT CAN BE EQUIPPED WITH 3-WAY VALVE TO PROVIDE BOTH CALIBRATION AND OPERATING MODE CONFIGURATION.

PROCHEM SERVICES LTD. CONGLETON, CHESHIRE, CW12 1UN, ENGLAND	
DRAWING No. PS/00/684	REV. 0
SUBJECT METAL/GLASS CALIPOT OUTLINE. SCREWED CONNECTIONS.	

REV.		REV.	
REV.		REV.	

Prochem's policy of continued product improvement dictates that these specifications may change without notice